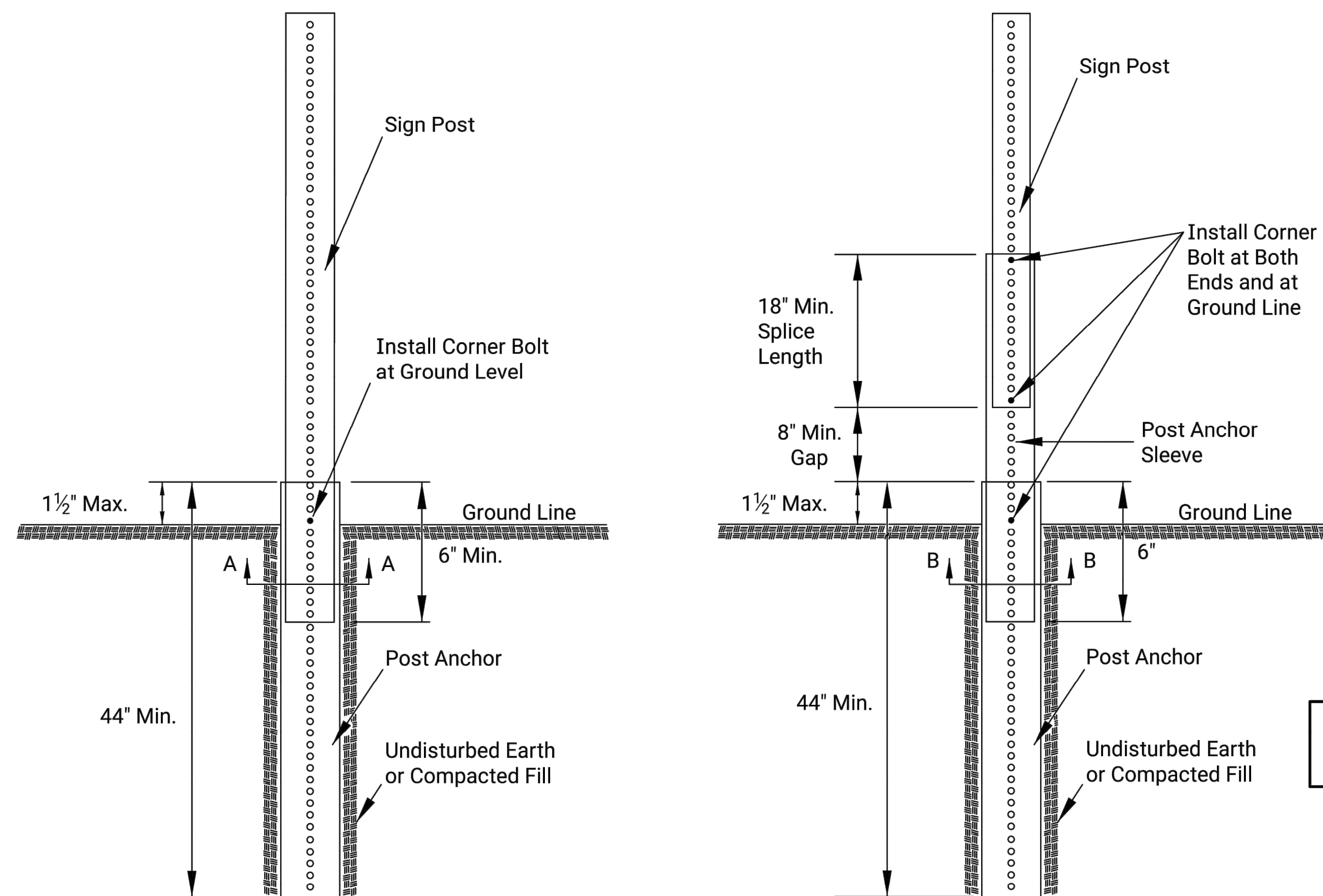
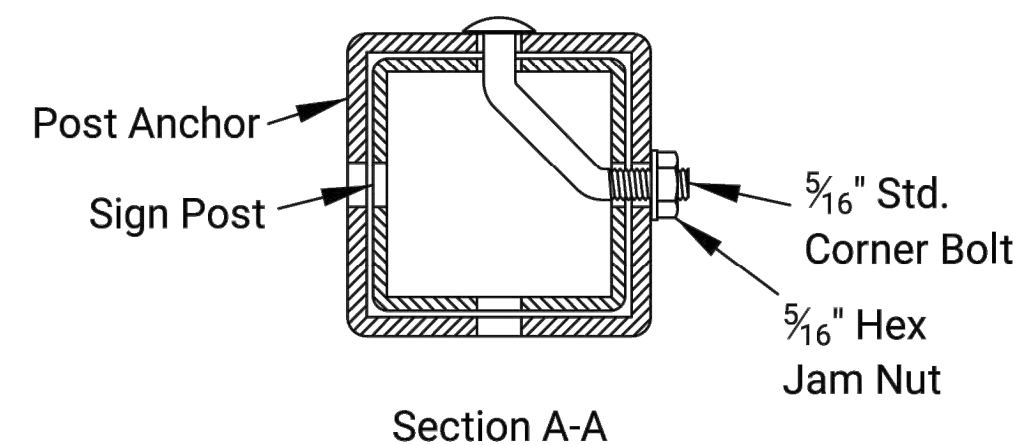


PERFORATED SQUARE STEEL TUBE (P.S.S.T.) POST SETUP

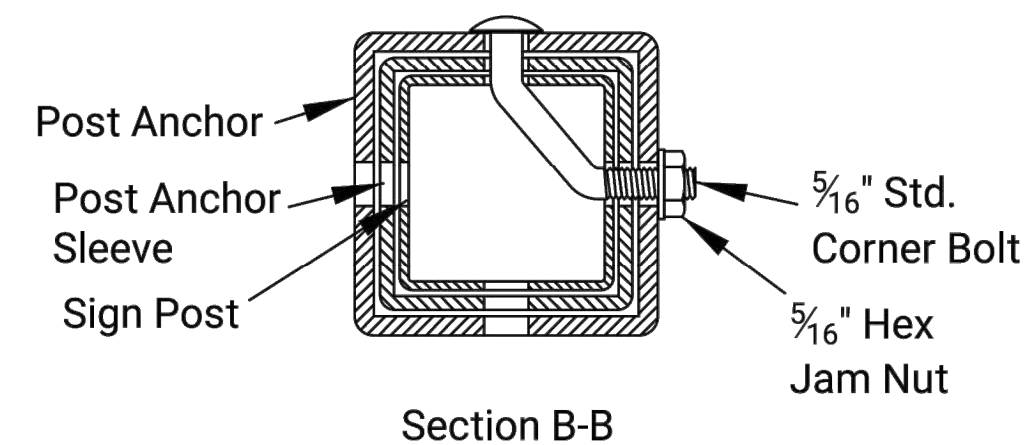


P.S.S.T. Detail

Telescoping P.S.S.T. Detail



Section A-A

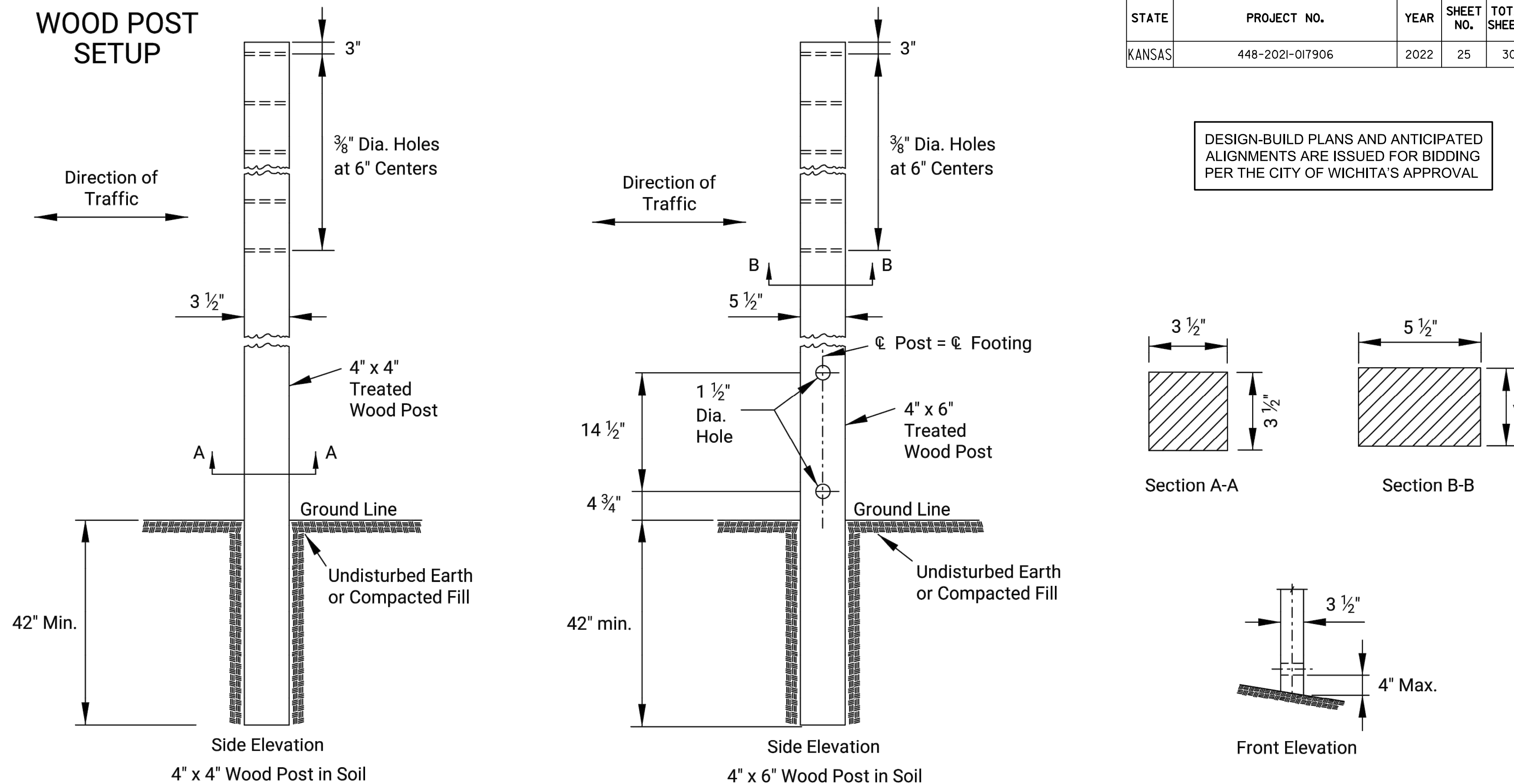


Section B-B

Details for 2", 2 1/4", or 2 1/2" sign posts

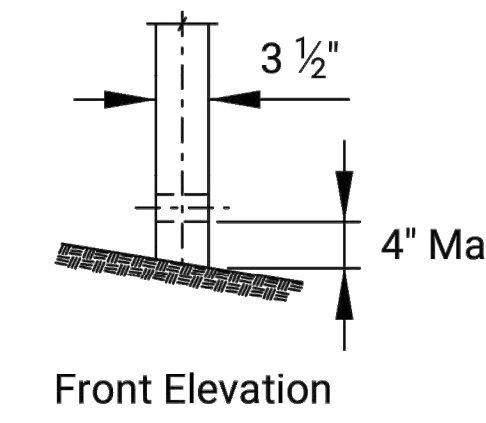
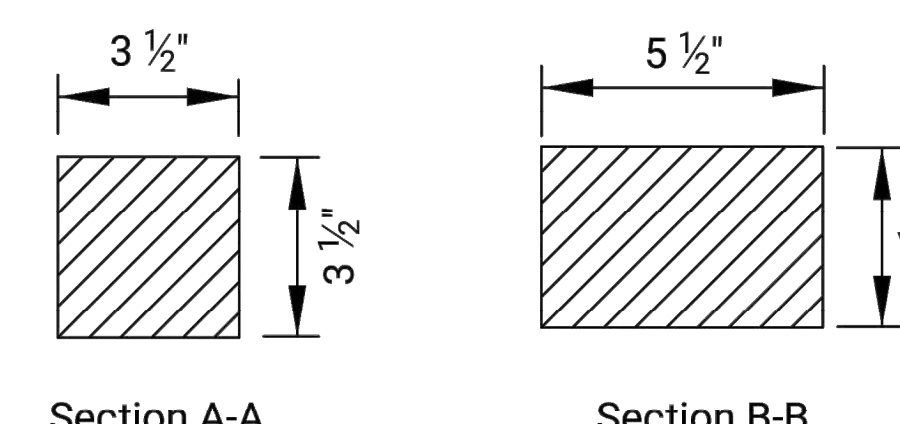
Place bolts in the same corner along each sign post.

WOOD POST SETUP



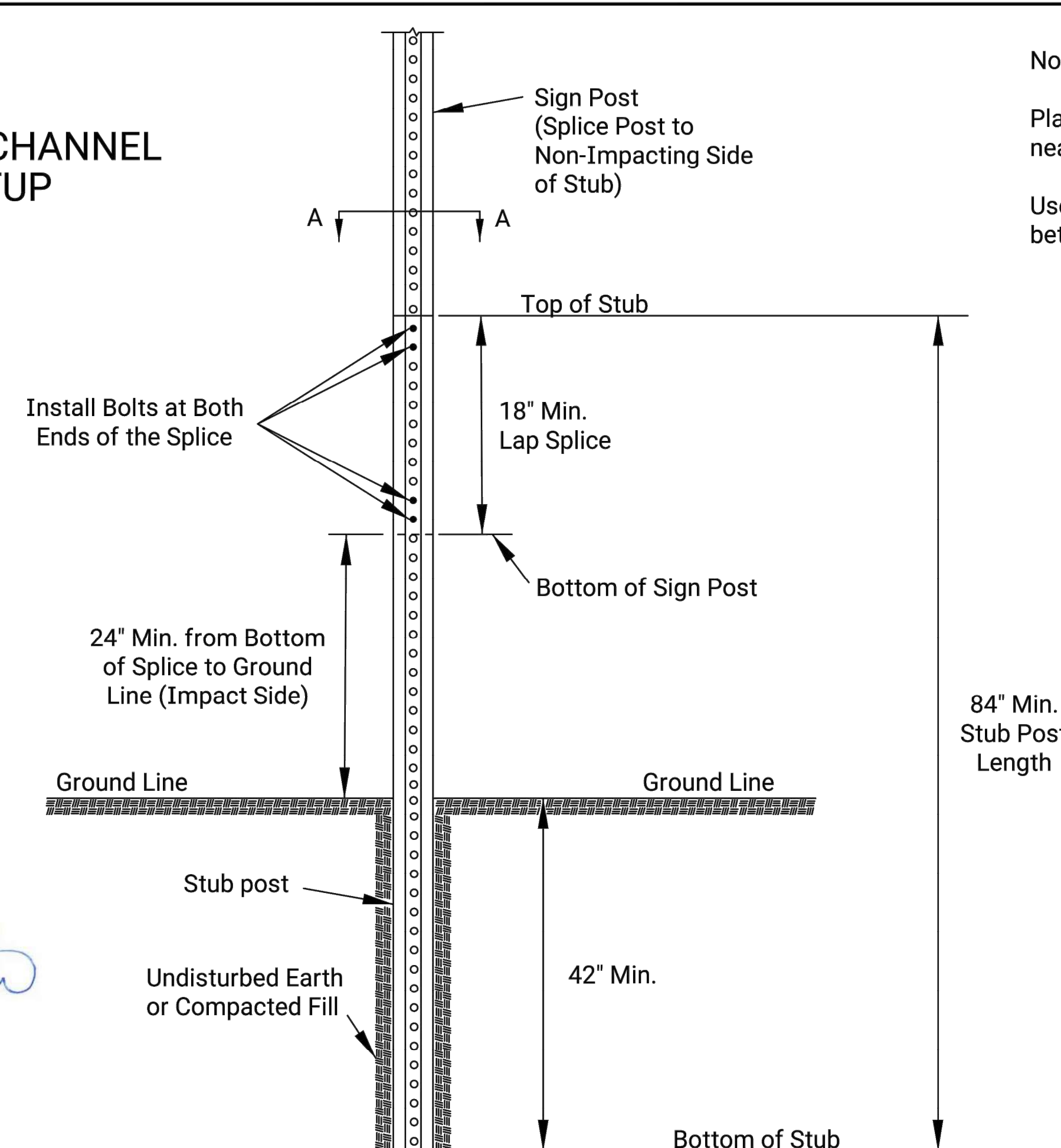
Side Elevation
4" x 4" Wood Post in Soil

Side Elevation
4" x 6" Wood Post in Soil

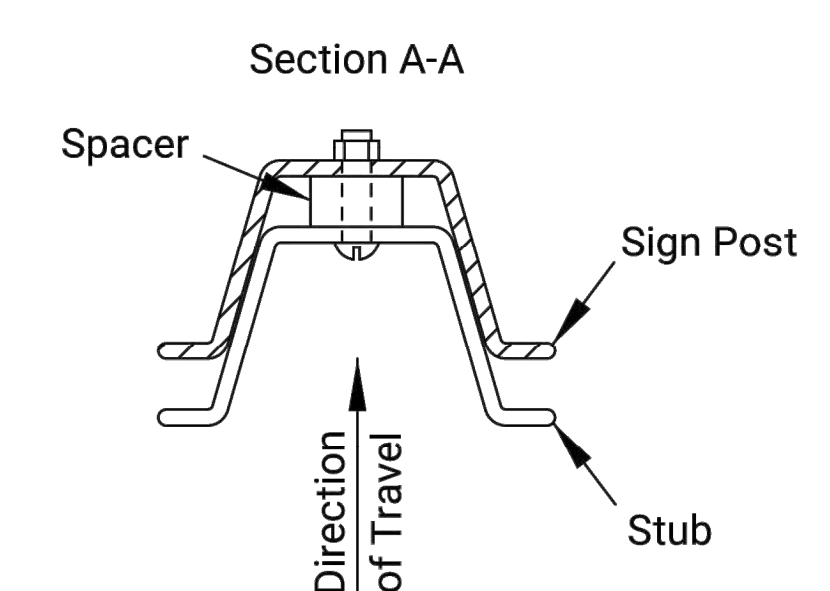


See TE710 for Additional Details and Requirements

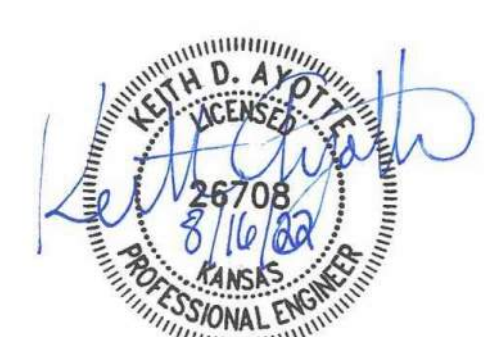
3 LB/F U-CHANNEL SETUP



Notes:
Place two bolts at both ends of the splice through the holes nearest the ends of the splice.
Use manufacturer recommended spacers over the bolts between the spliced pieces of U-Channel.



Section A-A



NO.	DATE	REVISIONS	BY	APP'D

KANSAS DEPARTMENT OF TRANSPORTATION

TRAFFIC CONTROL SIGN POSTS

TE712

DESIGNED	B.A.H.	DETAILED	R.W.B.	APP'D.	Kristina Erickson
DESIGN CK.		DETAIL CK.		QUANTITIES	TRACED
				QUAN. CK.	TRACE CK.

KDOT Graphics Certified 05-24-2022 Sh. No. 0

File: te712.dgn