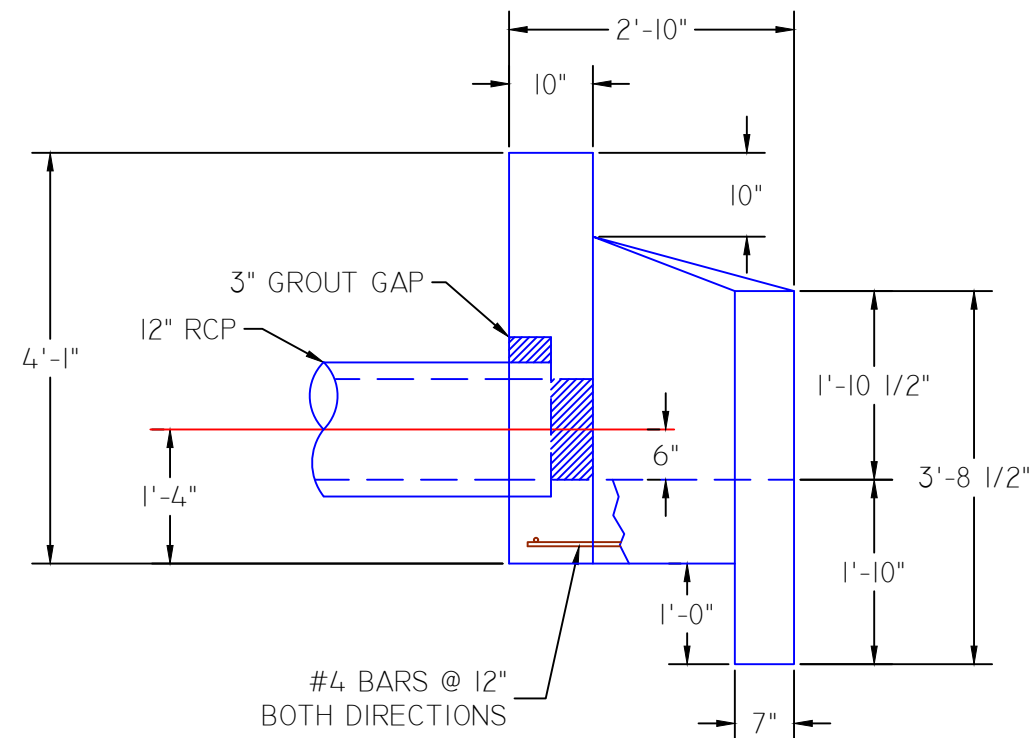


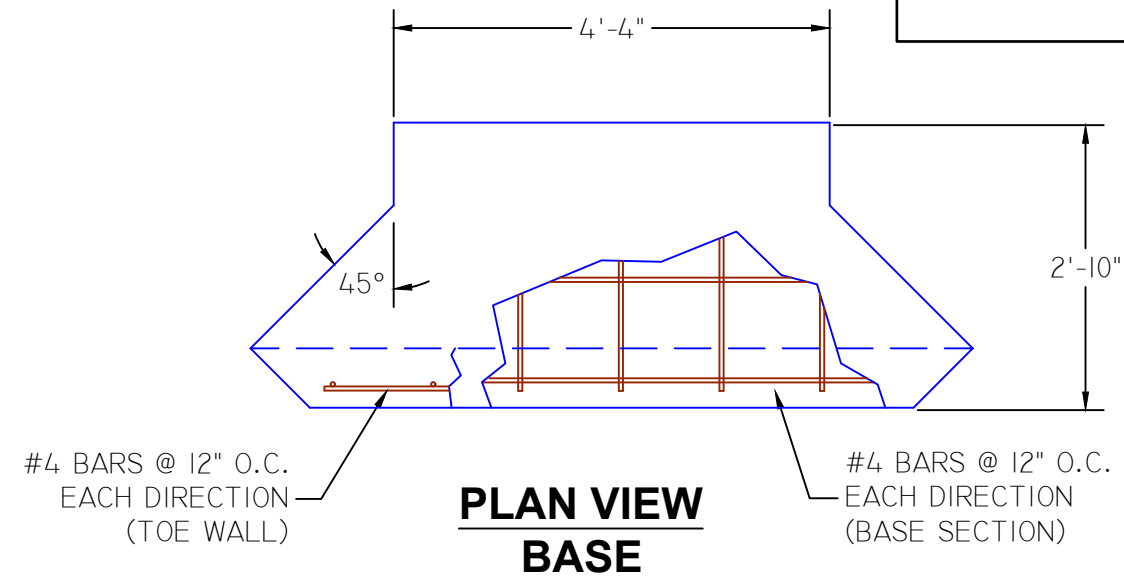
PLAN VIEW



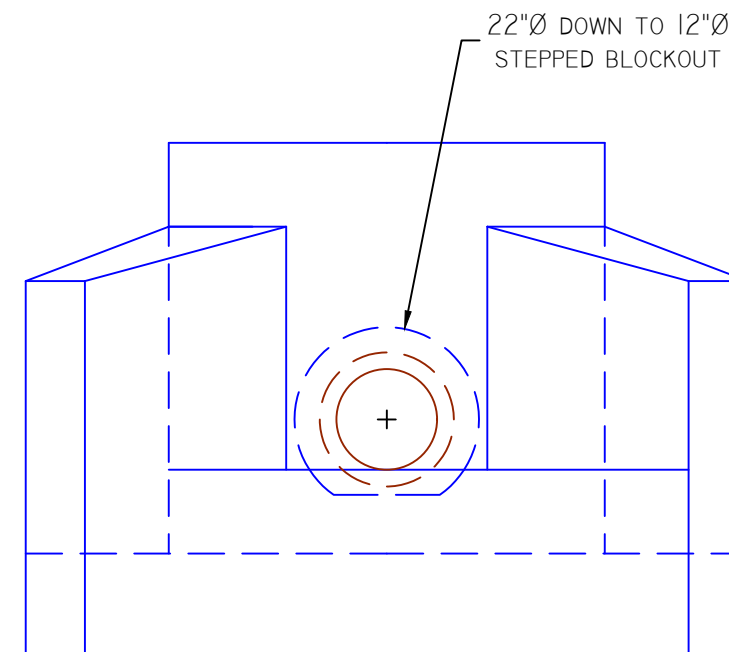
ELEVATION

DESIGN INFORMATION:

- $F_c = 5,000 \text{ PSI}$
- $F_y = 60,000 \text{ PSI}$
- STRUCTURE WEIGHT: 8,700 LBS



**PLAN VIEW
BASE**



FRONT VIEW

Structure Type:
12" HEADWALL

Structure ID:
-

Station Number:
-



221 W. 37th St. North
Wichita, KS. 67204
Phone: (316)-838-8651
Fax: (316)-838-0838

Rev.	Date	Desc.
-	-	-
-	-	-
-	-	-
-	-	-

Project:
WCP STANDARD DRAWING

Appr. By:
-

Date:
-

Drawn By:
-

Job #
-

Client:
-

2022 WCP INTELLECTUAL PROPERTY NOTICE:
This drawing has not been published, and is the sole property of Wichita Concrete Pipe - 221 W. 37th St N, Wichita, KS. It is loaned to the borrower for his/her confidential use only and in consideration of the loan of this drawing, the borrower agrees that this drawing shall not be reproduced, copied, loaned, or otherwise disposed of directly or indirectly, nor used for any purpose other than for which it is specifically furnished.