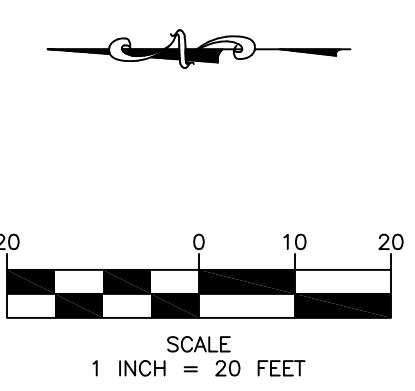
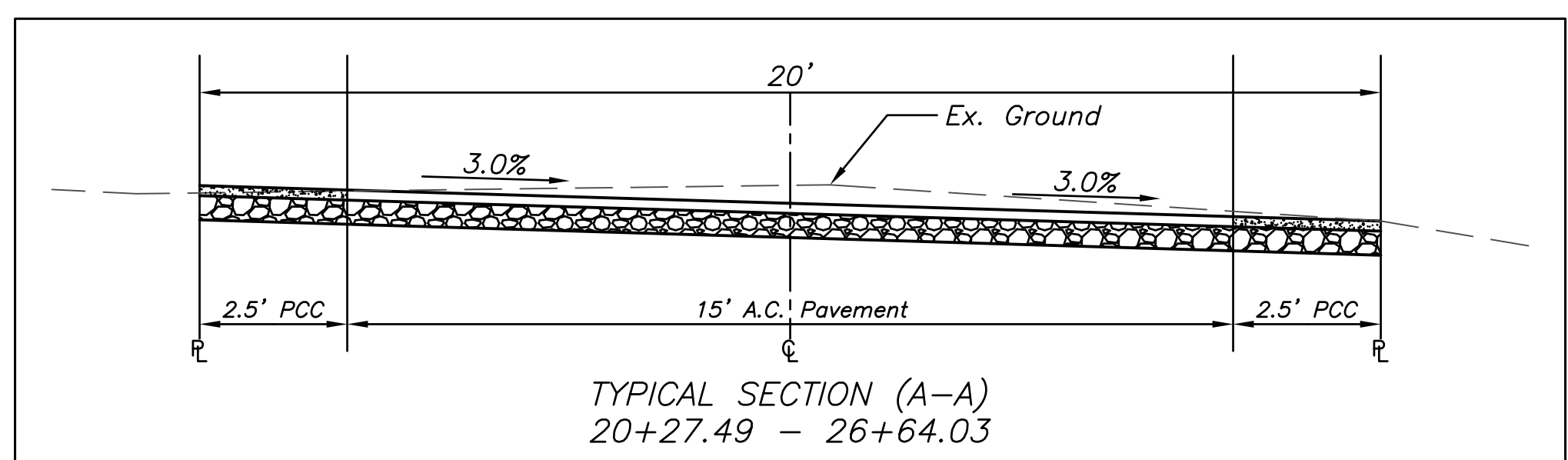
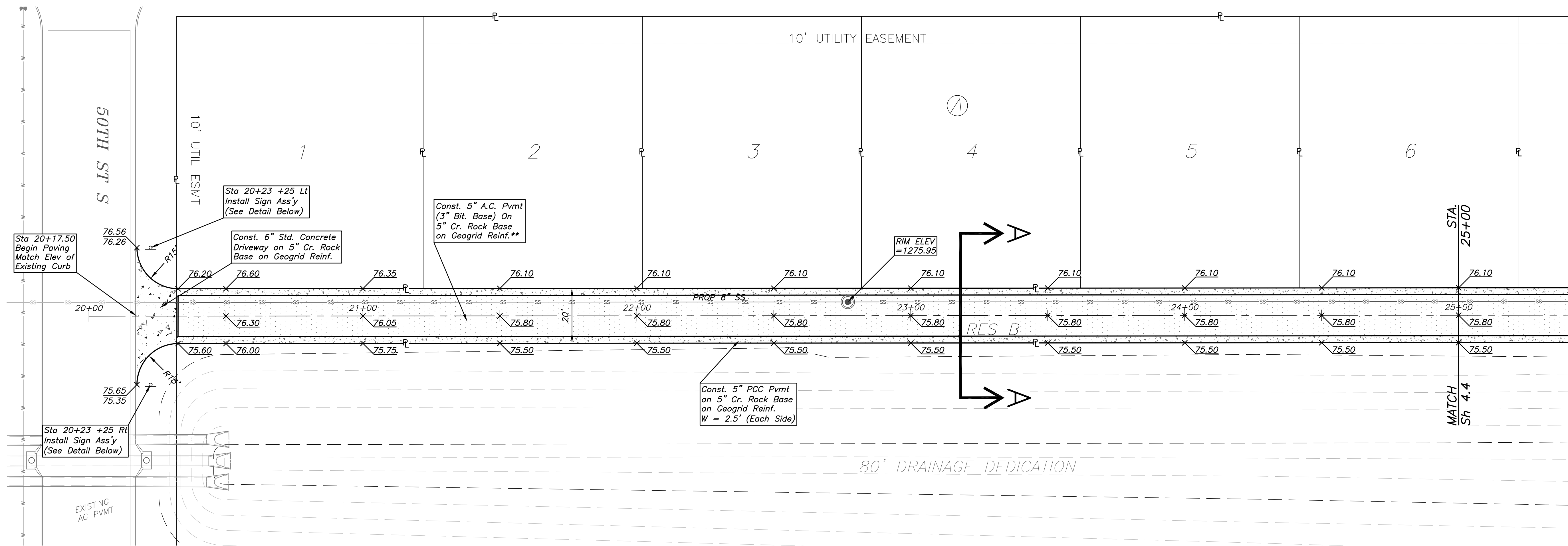


****NOTE:**
 5" A.C. Pavement is to be
 2" Surface Course and
 3" Bit. Base Course.
 (BC-1, SC-1 & PG64-22)
 To be installed in 2 lifts.



Fox Run 2nd Addition
 Fire Apparatus
 Road Paving Plan
 Wichita, Kansas

KEMILLER ENGINEERING <small>117 E. Lewis, Wichita, KS 67202 (316)264-0242</small>		
KEM PROJ. 21036	DATE 02.2023	SHEET 4.3
DESIGN KEM	DRAWN ZJS	

Rev. 24, 2023