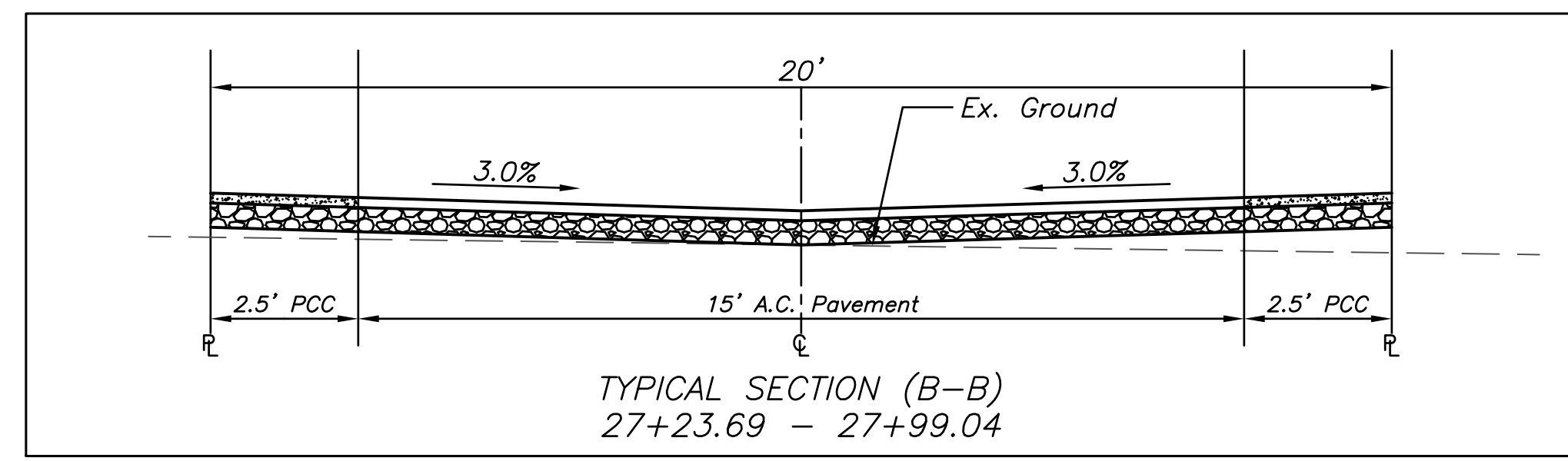
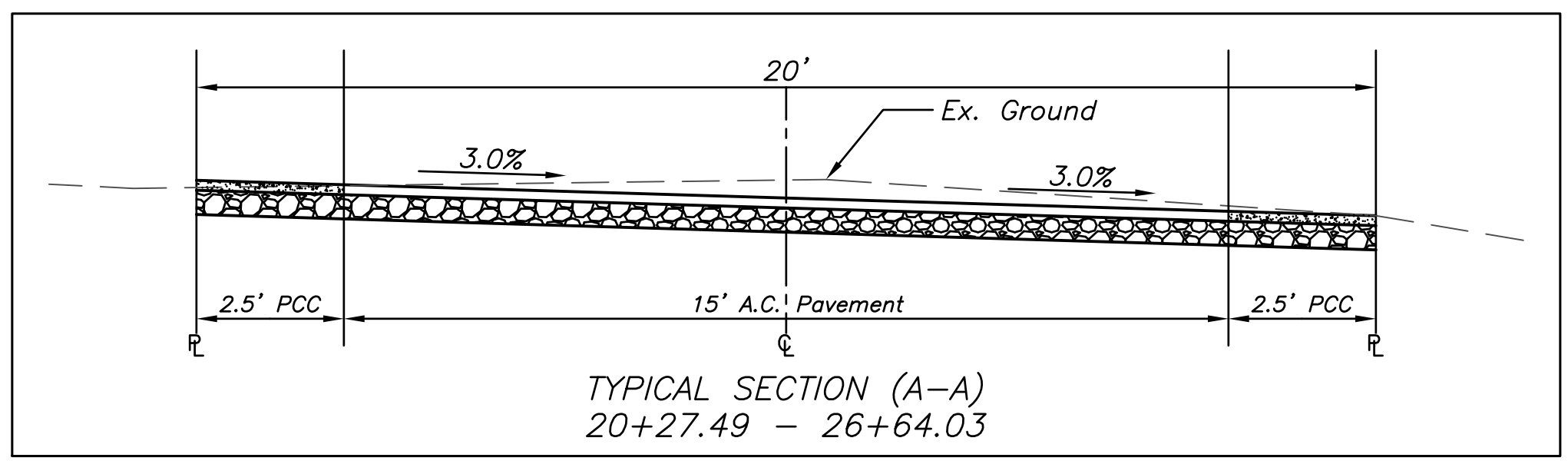
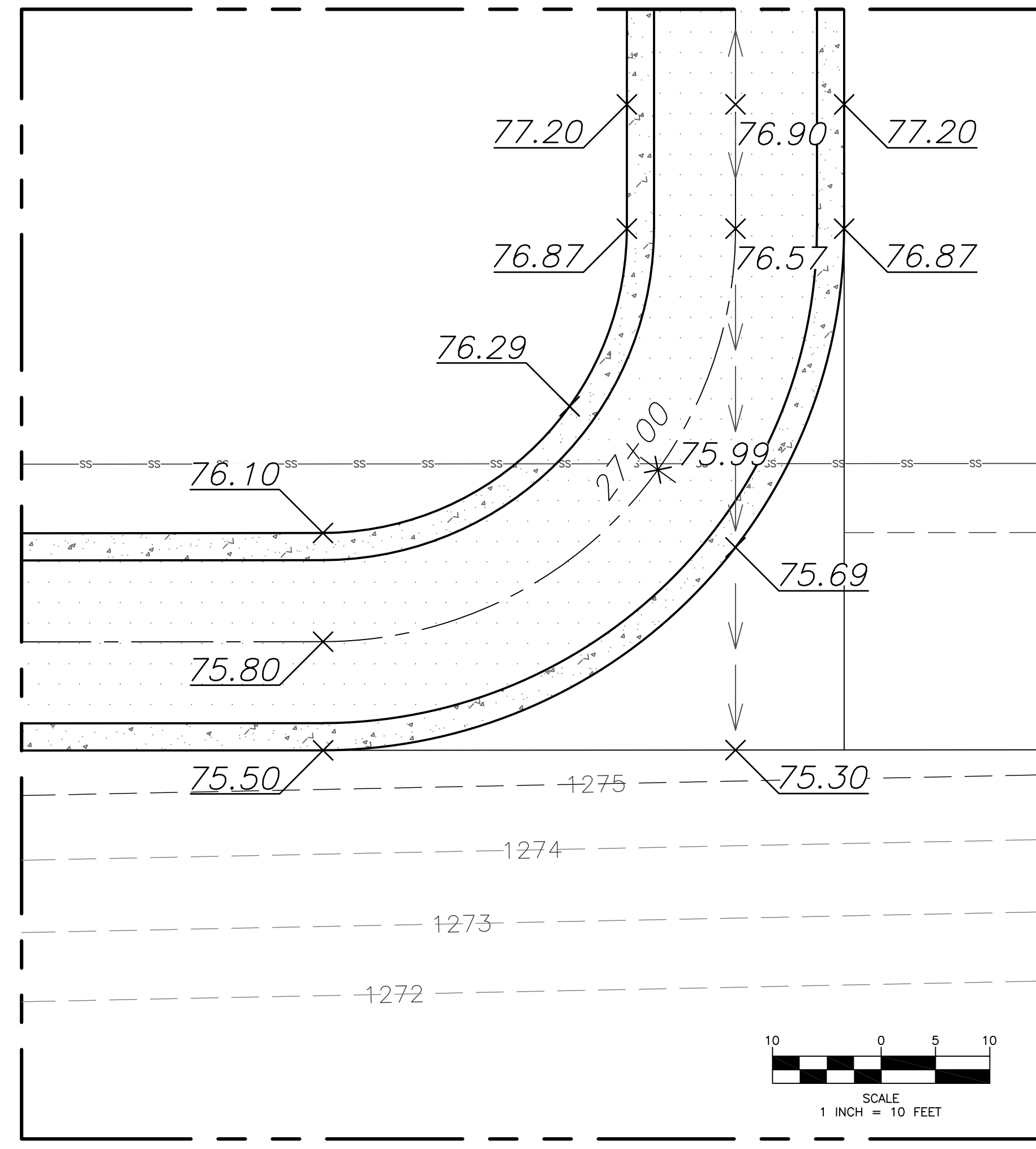
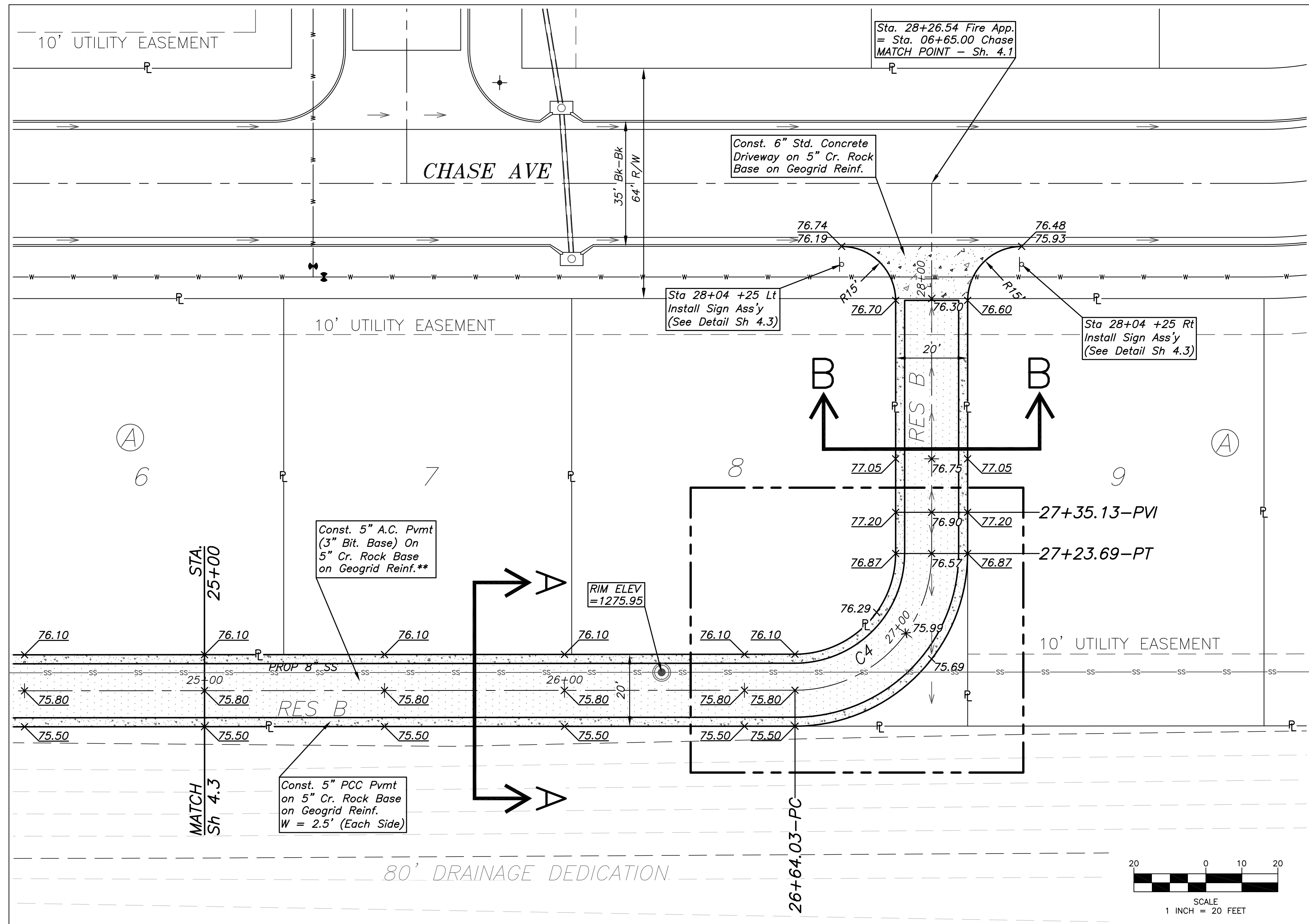


****NOTE:**
 5" A.C. Pavement is to be
 2" Surface Course and
 3" Bit. Base Course.
 (BC-1, SC-1 & PG64-22)
 to be installed in 2 lifts.

C4	
R	40.00'
L	59.66'
Ch	53.72'
Δ	89°57'31"
Tan	37.97'



Fox Run 2nd Addition
 Fire Apparatus
 Road Paving Plan
 Wichita, Kansas

KEMILLER <small>ENGINEERING</small>		
<small>117 E. Lewis, Wichita, KS 67202 (316)264-0242</small>		
KEM PROJ. 21036	DATE 02.2023	SHEET 4.4
DESIGN KEM	DRAWN ZJS	

Apr 24, 2023