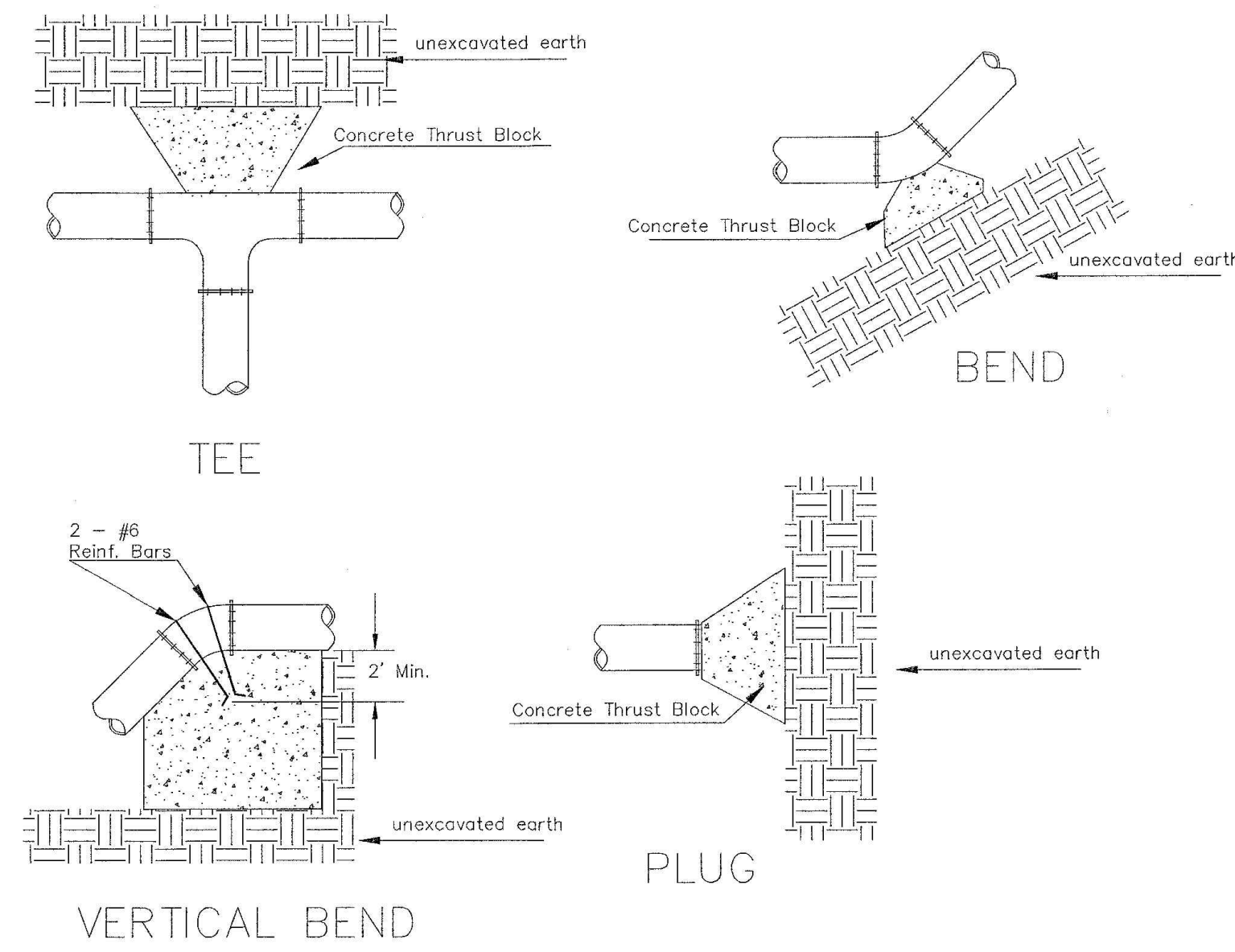
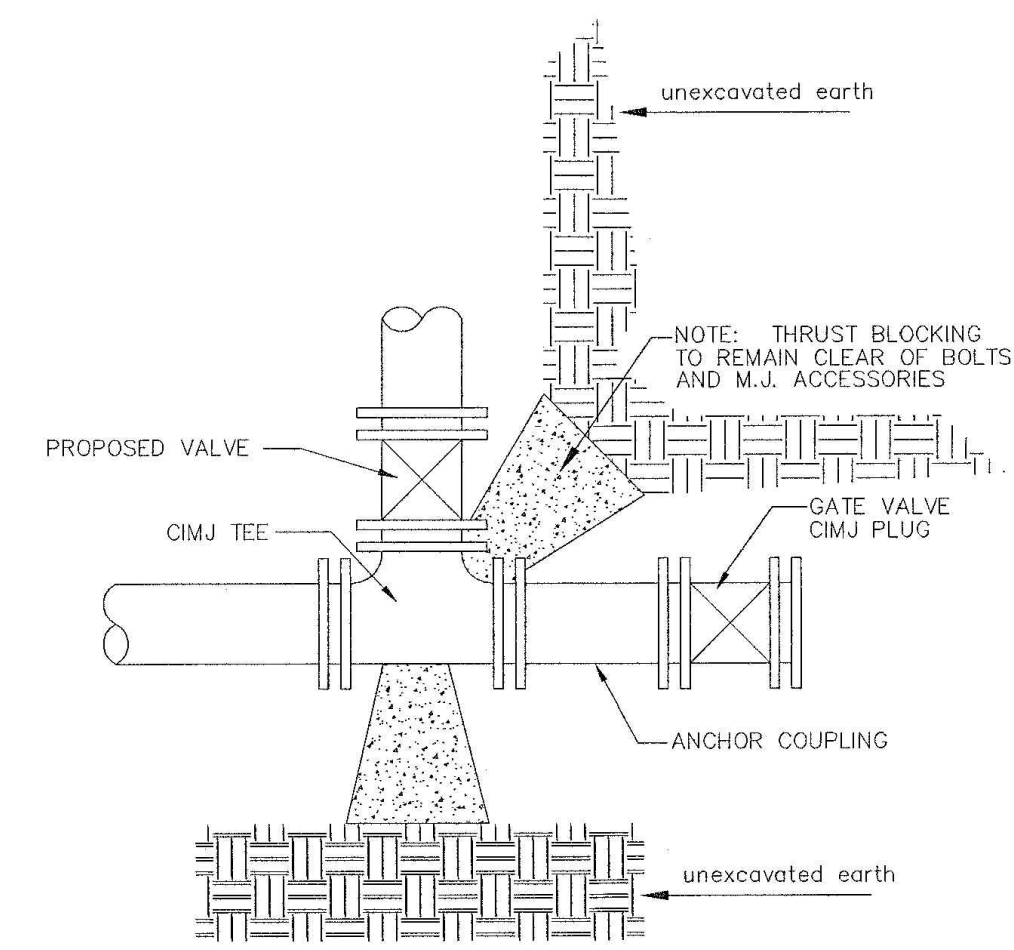


SAVED 3/9/2023 6:29:19 PM BY CATHY LINK
 PLOTTED 4/12/2023 12:05:20 PM BY KURTIS DEKAT
 U:\WICHITA-CIVIL\2021\1210255-002\PEC\DRAWINGS\PHASE 1\1210255-002-CU502.DWG



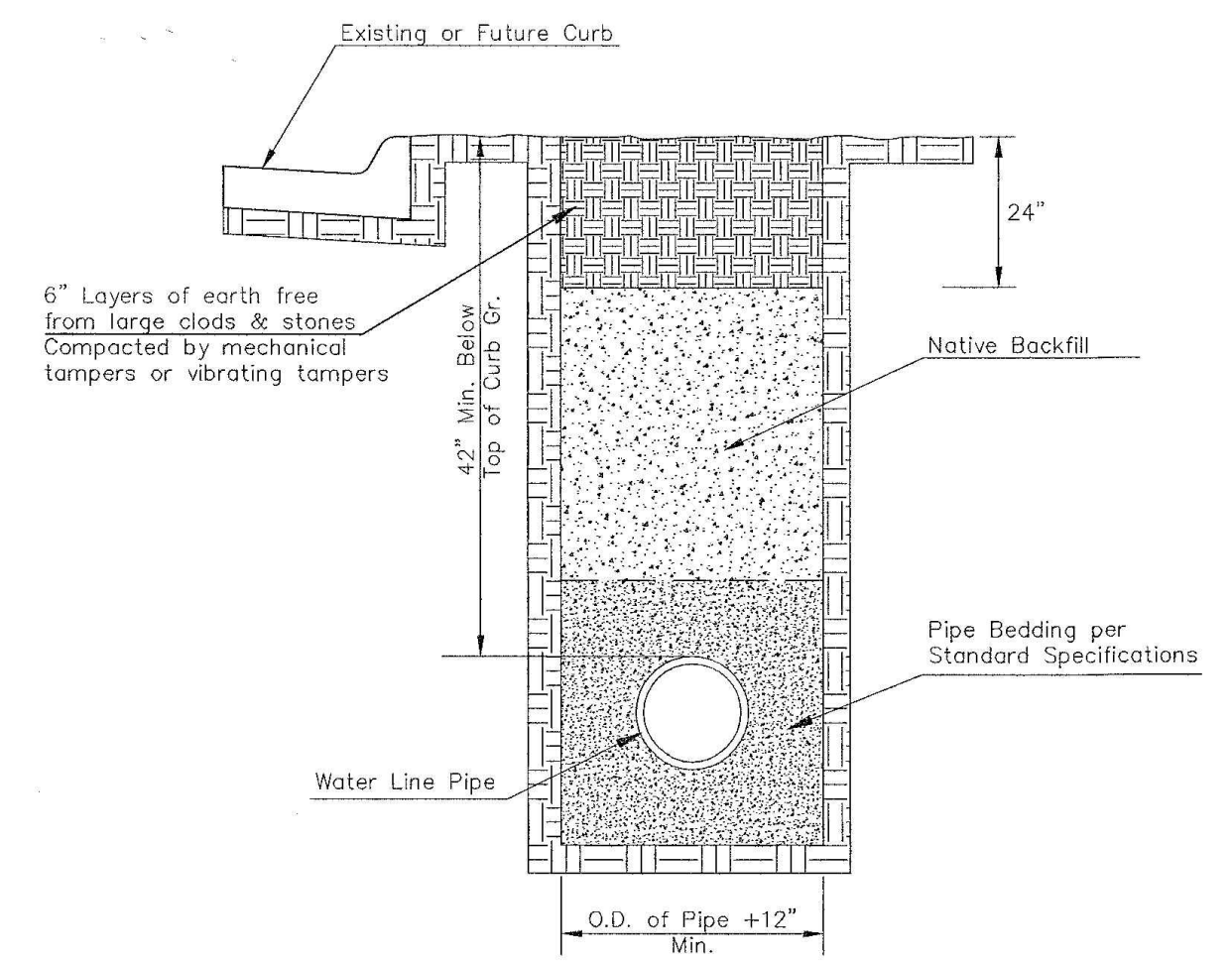
PIPE SIZE	THRUST AT FITTINGS IN TONS—AT 150#/IN ² P					
	PLUG	90°	45°	22 1/2°	11 1/4°	TEE
6"	2.8	3.95	2.15	1.09	.55	2.8
8"	4.9	6.95	3.75	1.90	.96	4.9
12"	11.4	16.1	8.75	4.45	2.25	11.4
16"	20.15	28.5	15.4	7.85	3.95	20.15
20"	31.15	44.0	23.85	12.15	6.10	31.15
24"	44.55	63.0	34.1	17.4	8.75	44.55

TYPICAL THRUST BLOCKS

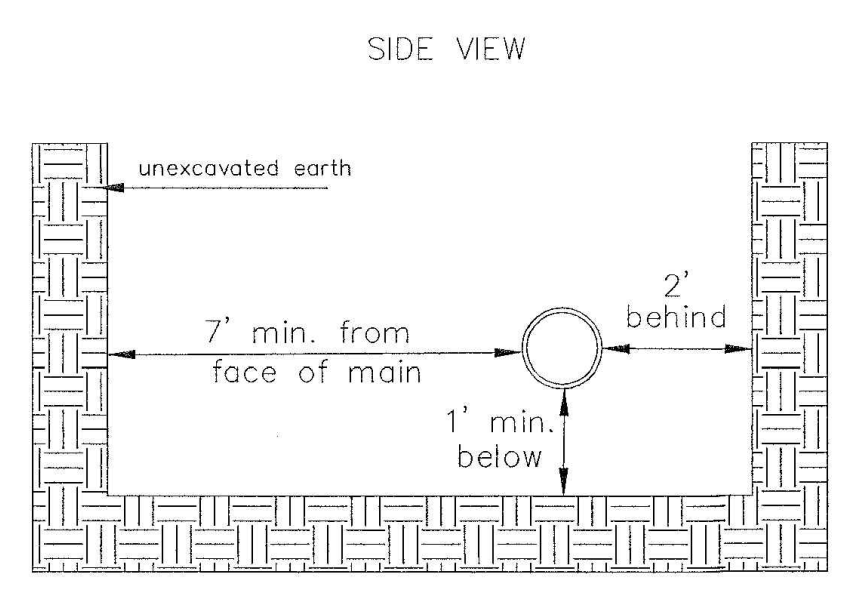


KEY BLOCK DETAIL

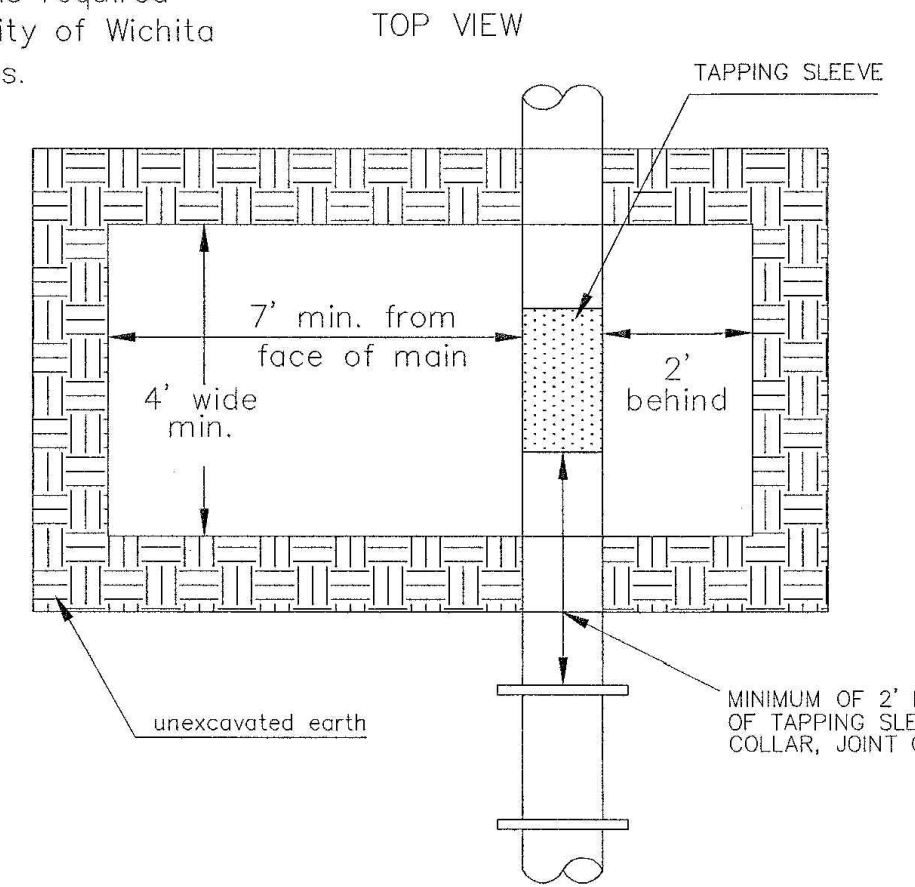
* PLANS GOVERN
UNLESS OTHERWISE NOTED ON PLANS



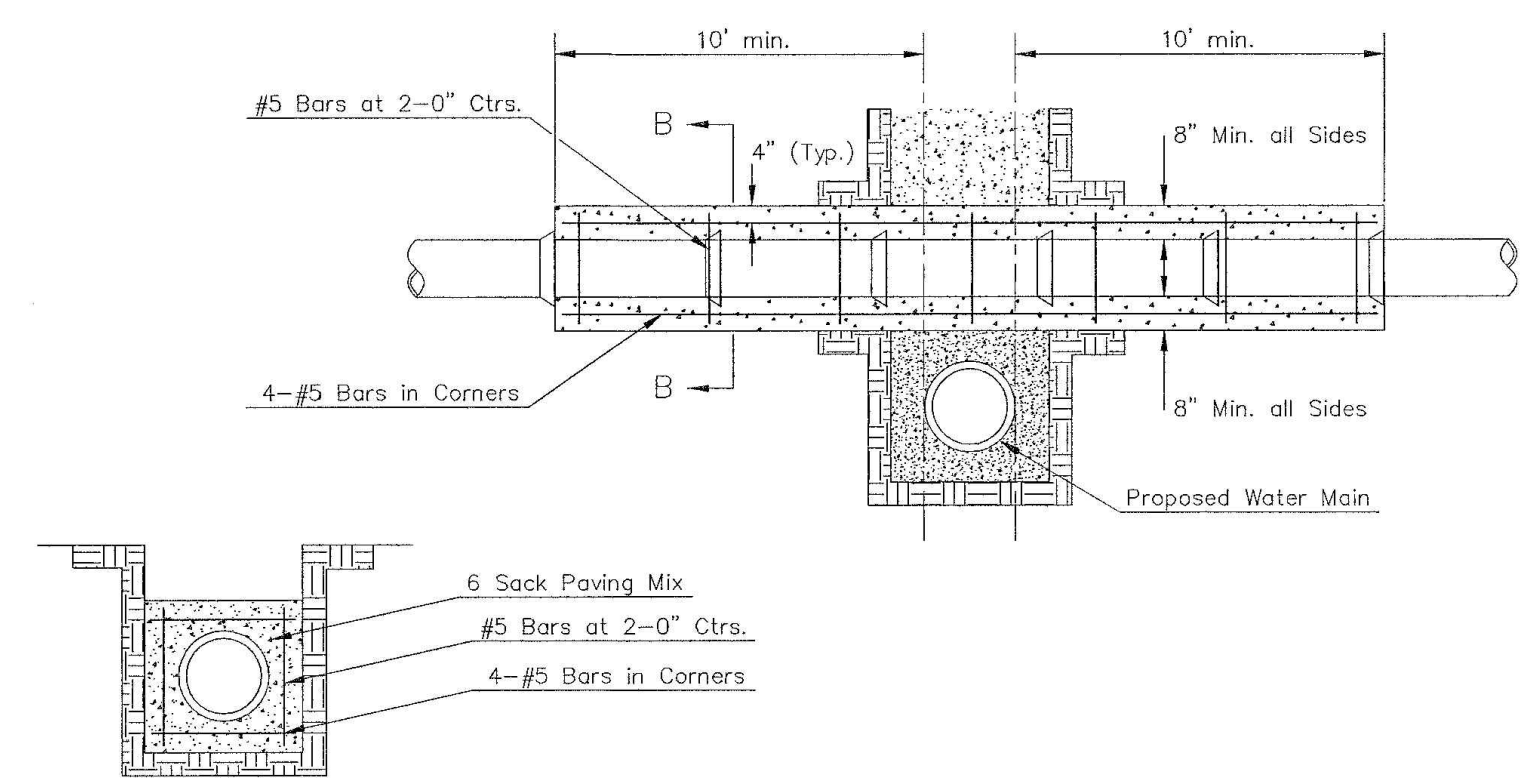
TRENCH COMPACTION IN ROAD RIGHT-OF-WAY



Note: When shoring is required it is to be per The City of Wichita Standard Specifications.



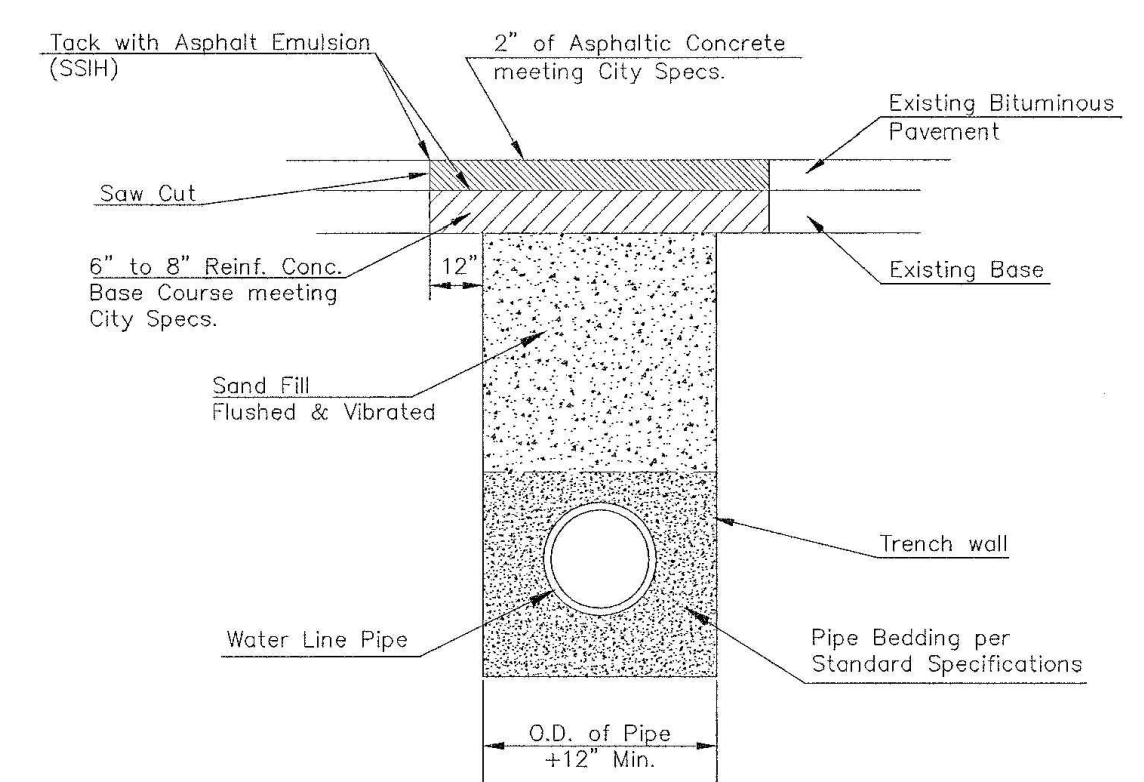
EXCAVATION FOR WET TAP



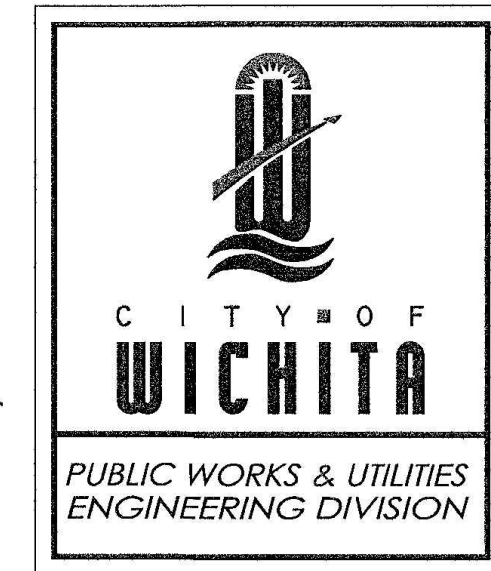
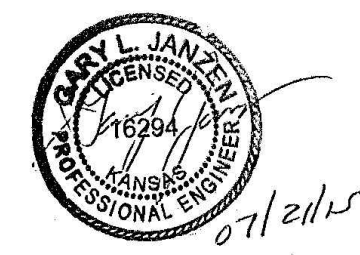
SECTION B-B

Note: Encasement to begin and end at a Bell on Sanitary Sewer Pipe.

REINFORCED CONCRETE ENCASEMENT OF SANITARY SEWER

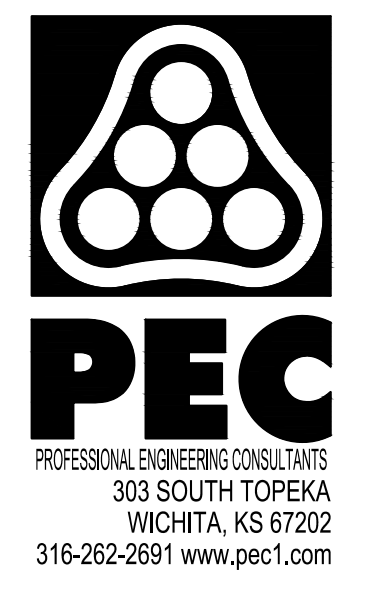


PAVEMENT REPLACEMENT & TRENCH COMPACTION UNDER EXISTING AND PROPOSED CITY ROADS



MISCELLANEOUS WATER DETAILS CITY ENGINEER GARY JANZEN, P.E.		
PROJECT NUMBER	OCA NUMBER	DATE
CITY ENGINEER'S OFFICE		SHEET
CITY HALL - SEVENTH FLOOR 455 NORTH MAIN STREET WICHITA, KANSAS 67202-1620 (316) 268-4501		

WL-104



CENTRAL AVENUE AND 151ST STREET
 WATERLINE IMPROVEMENTS

PHASE 1 - ALONG CENTRAL AVE,
 (WEST OF N 135TH W ST.)

PAUL GUNZELMAN, P.E. - INTERIM CITY ENGINEER
 CITY OF WICHITA PROJECT NO. 448-2020-033962

Issue:	
JOB NO.	35-210255-002-0042
DATE	MARCH 2023
PM	TBK
DESIGNED BY	REW
DRAWN BY	KTD
CHECKED BY	TBK

MISCELLANEOUS WATER DETAILS

CU502