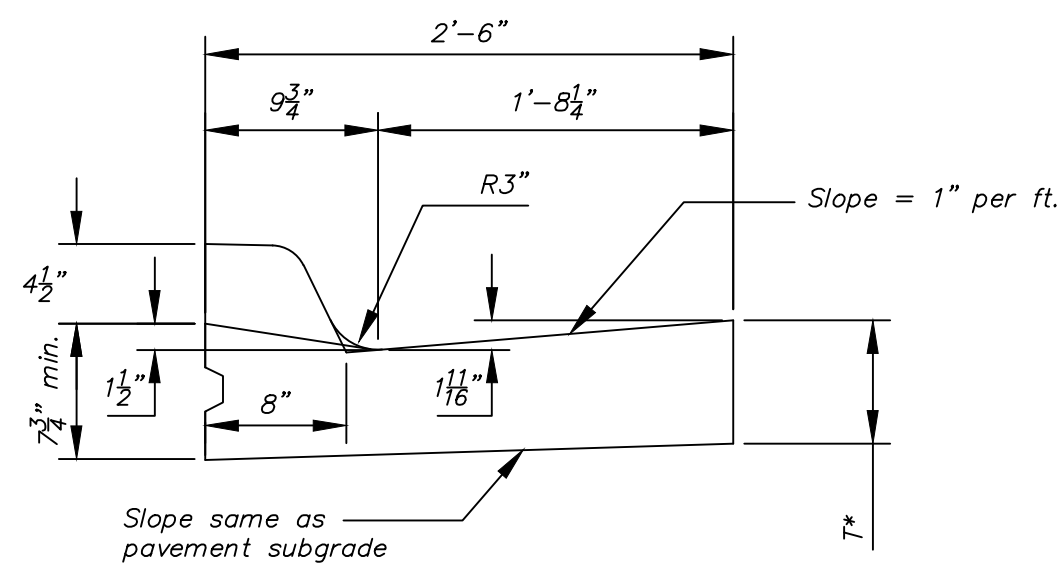
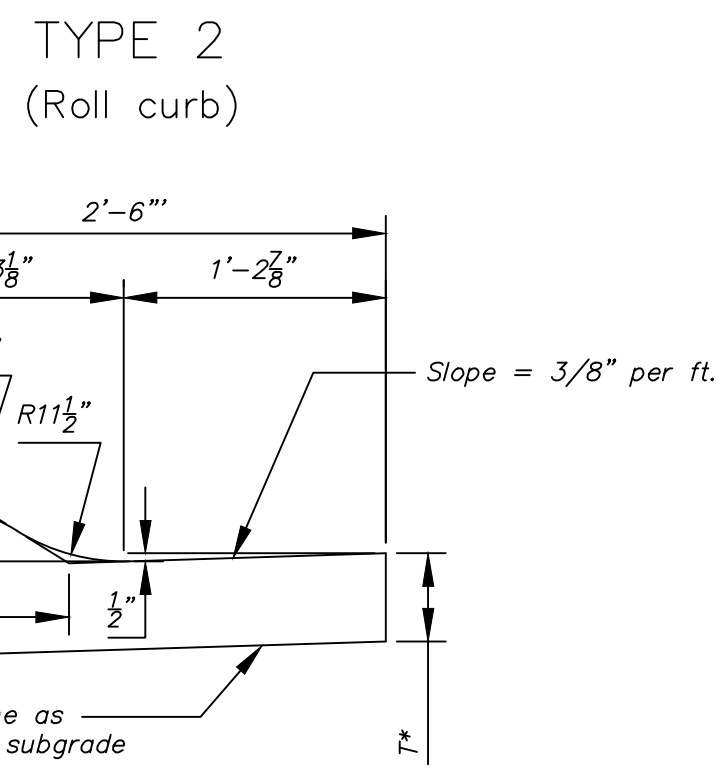


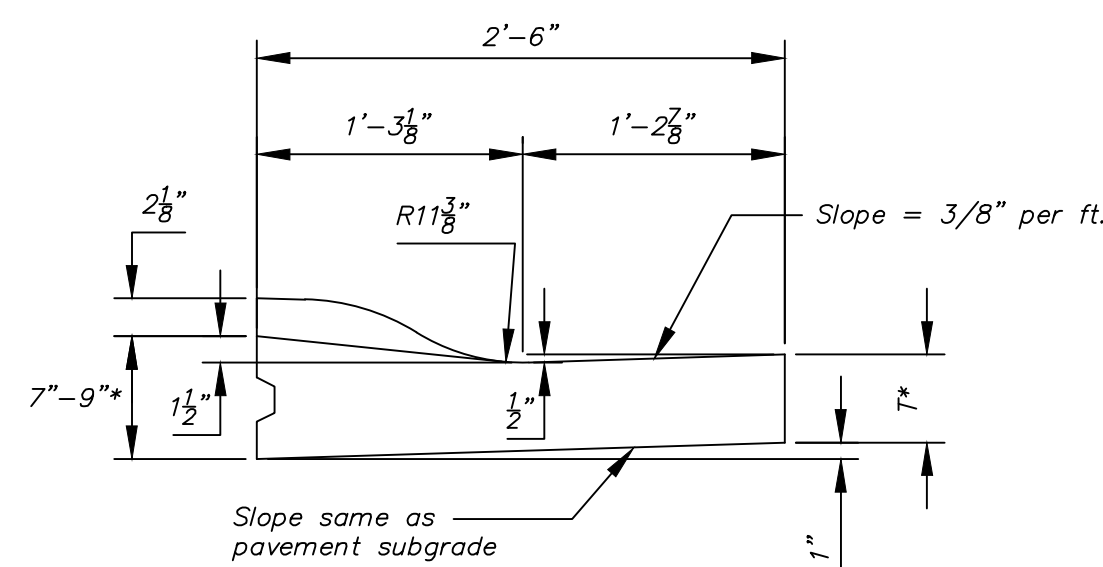
Combined Curb & Gutter (6")



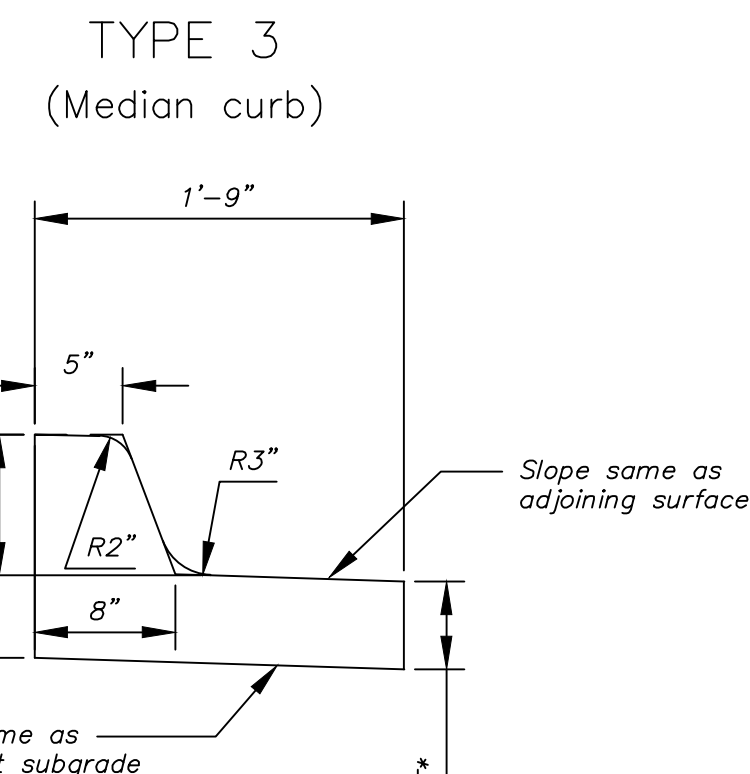
Combined Curb & Gutter (1 1/2")



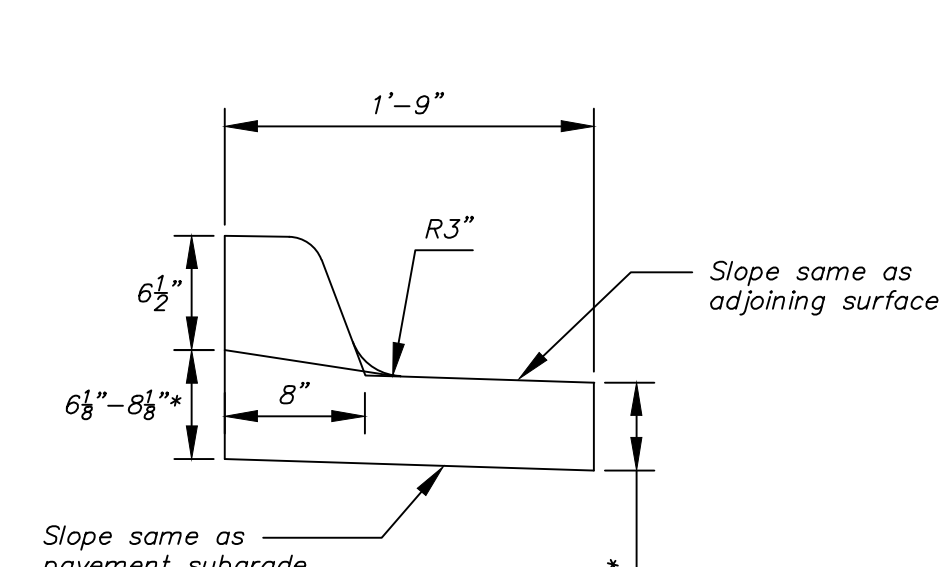
Combined Curb & Gutter (3 5/8")



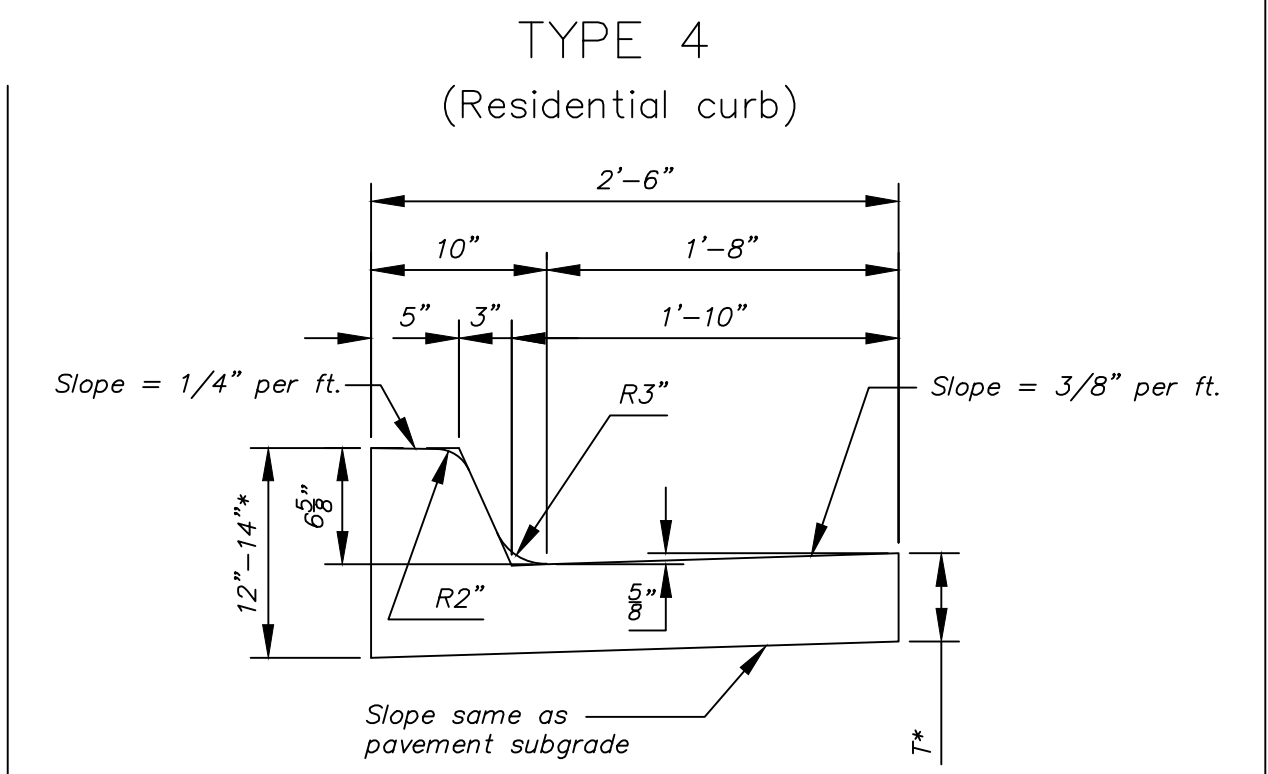
Combined Curb & Gutter (1 1/2")



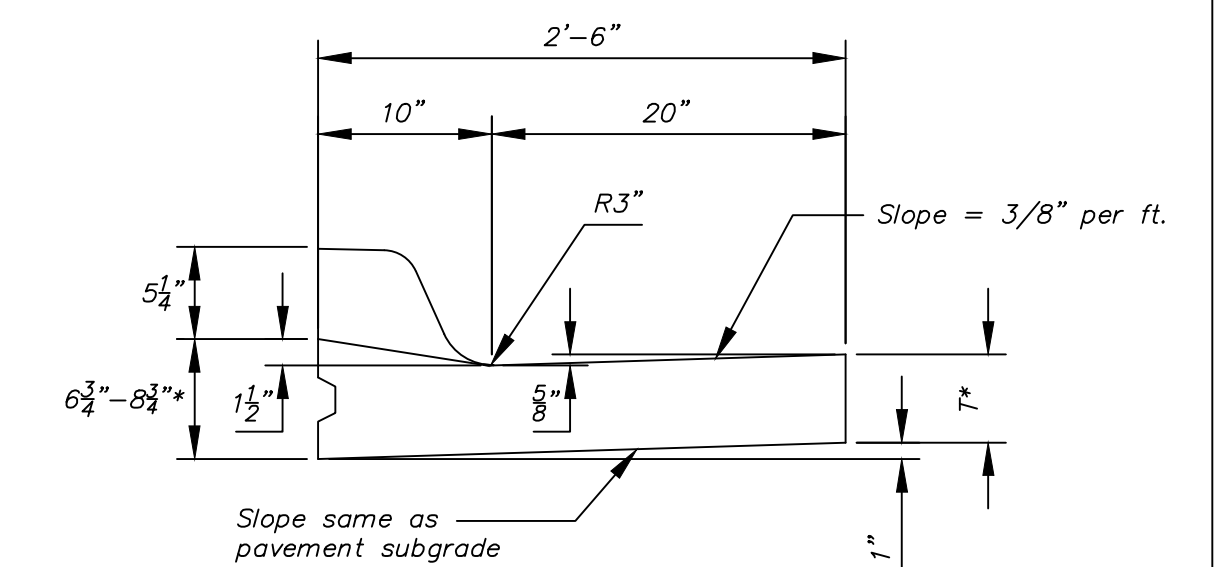
Combined Curb & Gutter (8")



Combined Curb & Gutter (1 1/2")



Combined Curb & Gutter (6 5/8")

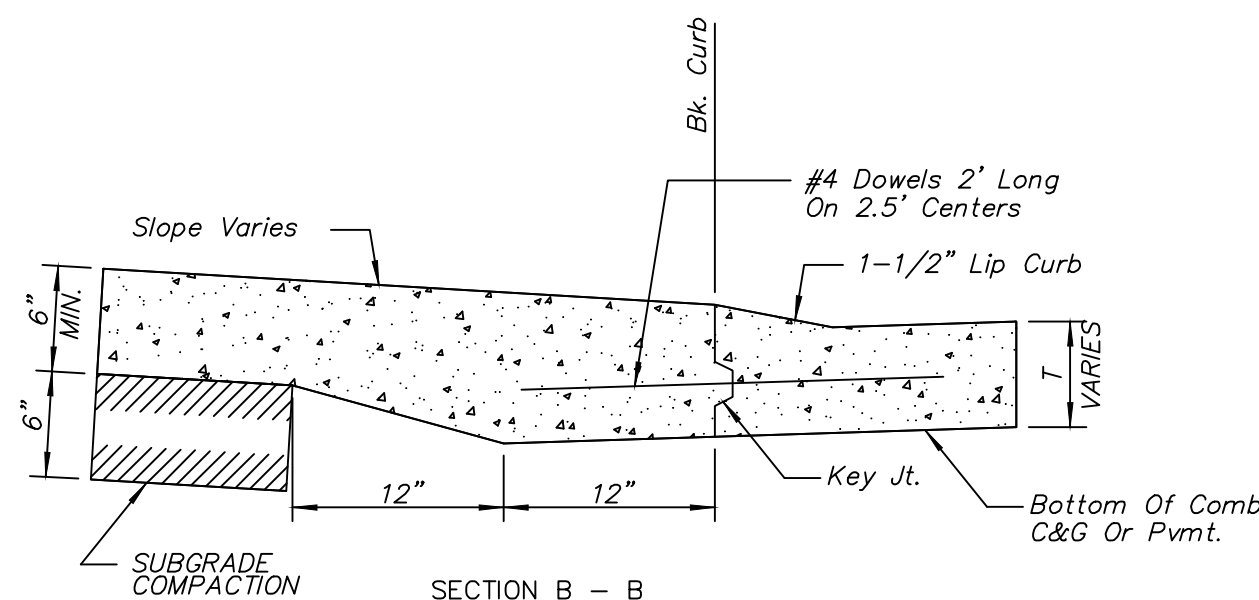


Combined Curb & Gutter (1 1/2")

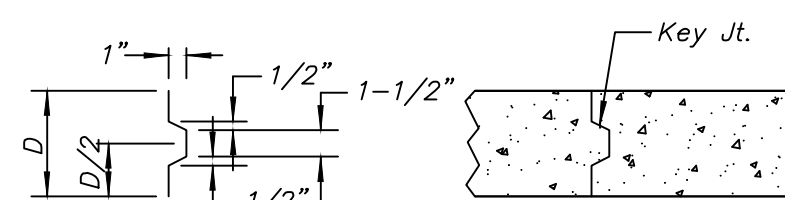
T\* = Thickness of curb to adjust with pavement thickness

GENERAL NOTES

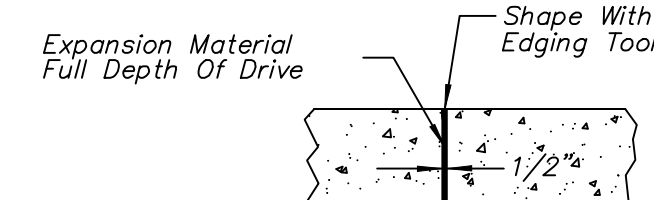
- Expansion (isolation) joints shall be constructed a maximum of 300' apart and at all PIs, PCs, cul-de-sac quadrants, and ends of returns.
- Contraction joints shall be constructed a minimum of 12' apart.
- Joint sealer shall be required at all joints on arterial and industrial streets and at intersections on residential streets.



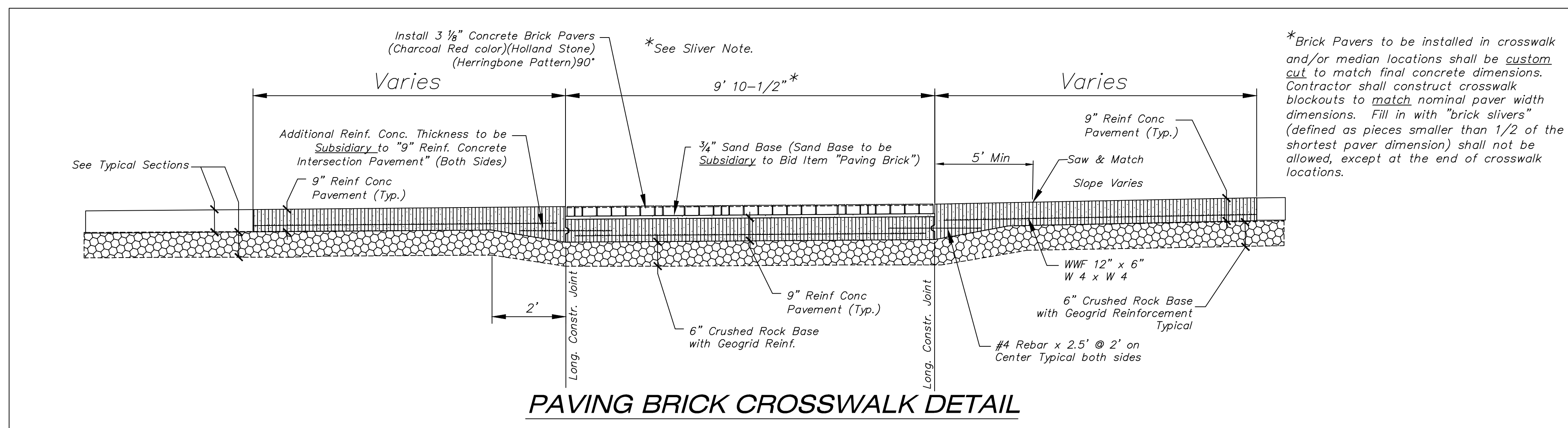
SECTION B - B  
BACK OF CURB DETAIL



ALT. LONGITUDINAL CONSTRUCTION JOINT



EXPANSION JOINT (E.J.)



PAVING BRICK CROSSWALK DETAIL

REVISED: OCTOBER 2015

**CURB & GUTTER & PAVING BRICK CROSSWALK DETAILS**

CITY ENGINEER  
**GARY JANZEN, P.E.**

PROJECT NUMBER	OCA NUMBER	DATE
CITY ENGINEER'S OFFICE		SHEET
CITY HALL - SEVENTH FLOOR 455 NORTH MAIN STREET WICHITA, KANSAS 67202-1620 (316) 268-4501		

CS	JML	CC	DSN	DWN	CHK
LDO	LDO	SRB	LDO	SRB	CC
2	06/07/23	ADDENDUM UPDATE	1	05/16/23	ADDENDUM NO. 1
0	03/21/23	INITIAL ISSUE			
		REV DATE			DESCRIPTION

LEON D. OSBOURN  
ENGINEER  
KS # 9772

**SYCAMORE POND ADDITION**  
W 50TH STREET S & SYCAMORE AVE  
WICHITA, KANSAS

**PHASE 3 - PAVEMENT IMPROVEMENTS**  
CURB & GUTTER DETAILS

PROJ. NO.	G22 2295
DESIGNER	SRB
DRAWN BY	CC
CFN	2295PDET
SHEET	16
REV	2