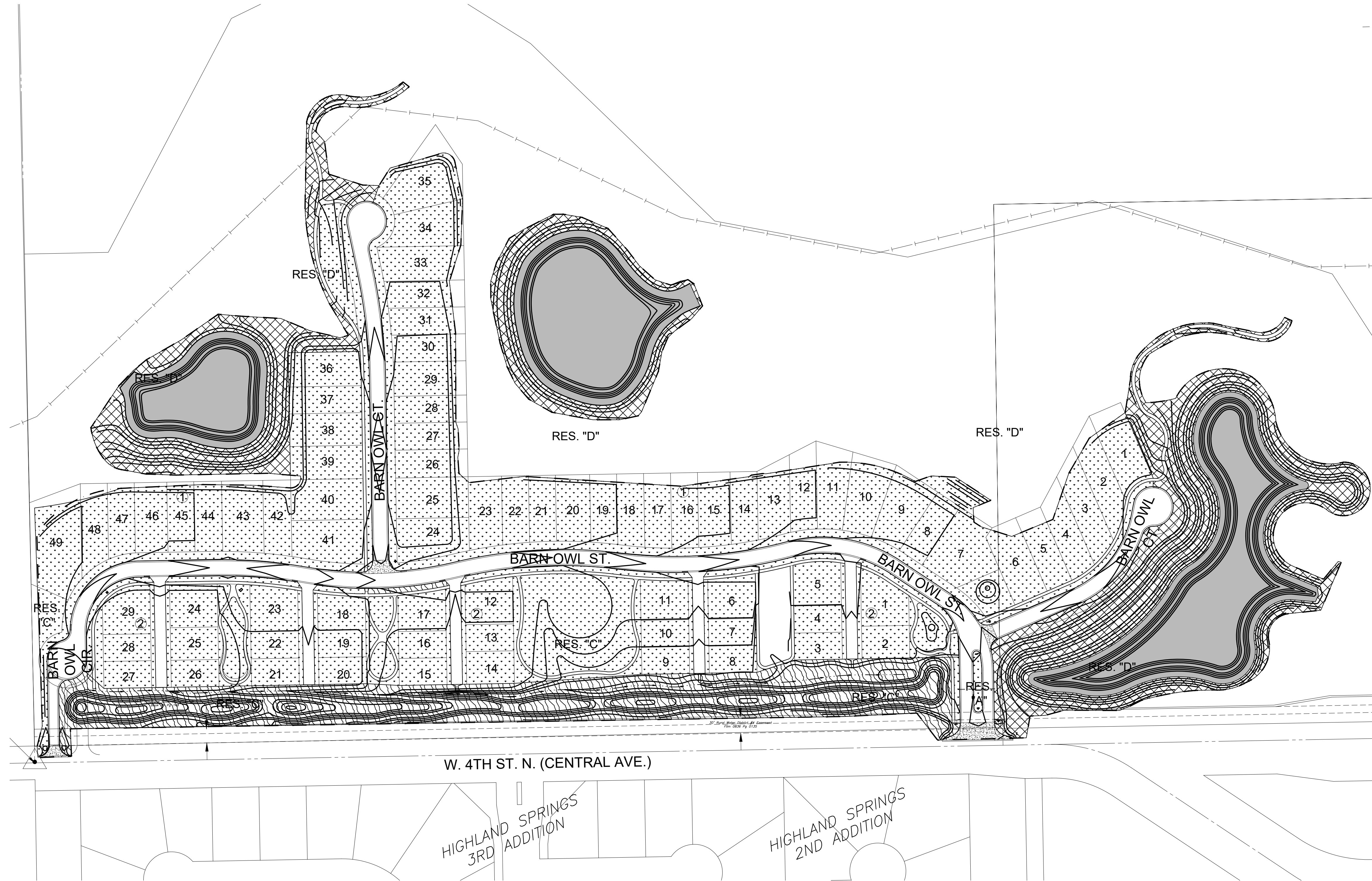


PLOTTED: Tuesday, July 25, 2023 @ 08:15AM

J:\PROJECTS\2022\2201010296\_PERFECTION\_JACOBS\135TH AND CENTRAL\00\_220296\_CAD\SHOTS\05\_CIVIL\GRID\220296-05-6201.DWG



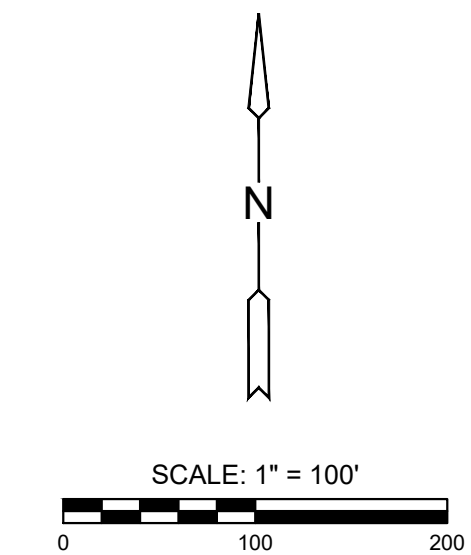
**LEGEND**

- LIMITS OF GRADING
- POND NORMAL POOL
- COVER CROP
- SHORT NATIVE GRASS MIX
- TALL NATIVE GRASS MIX

**NOTES**

ALL QUANTITIES ARE FOR REFERENCE ONLY AND ARE APPROXIMATE. CONTRACTOR SHALL VERIFY ALL QUANTITIES.

ANY AREA DISTURBED BEYOND DEPICTED SEEDING LIMITS SHALL BE SEEDED W/ SHORT NATIVE GRASS MIX.



STORMWATER DRAIN #507 IMPROVEMENTS TO SERVE  
**COURTYARDS AT JACOBS FARM**  
WICHITA, KS

©2023  
MKEC Engineering  
All Rights Reserved  
www.mkec.com

These drawings and their contents, including, but not limited to, all concepts, designs, & ideas are the exclusive property of MKEC Engineering (MKEC), and may not be used or reproduced in any way without the express consent of MKEC.

**SEEDING PLAN**

PROJECT NO.	472-2023-085532
DATE	JULY 2023
SCALE	1" = 100'
DESIGNED	DML
DRAWN	DML
CHECKED	SPE

NO.	REVISION	DATE

SHEET NO.