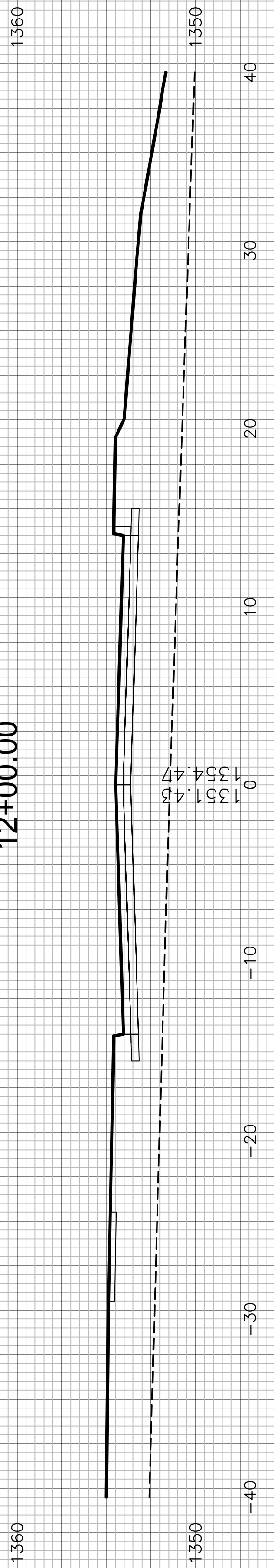
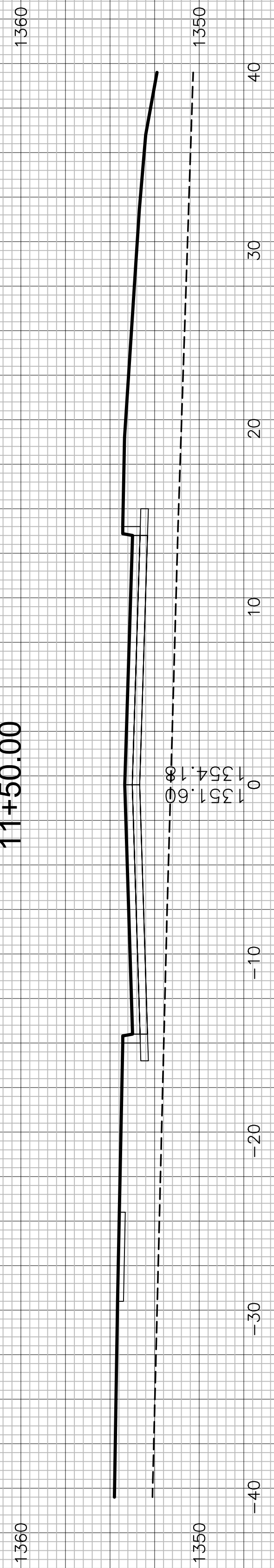


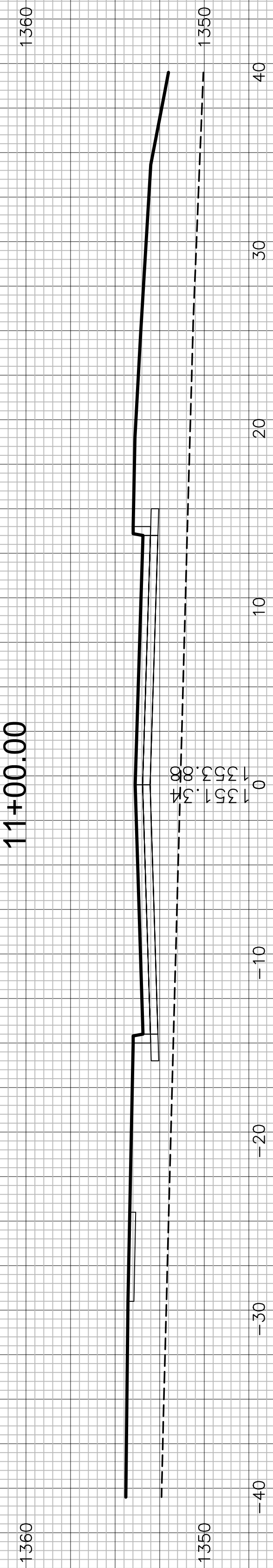
12+00.00



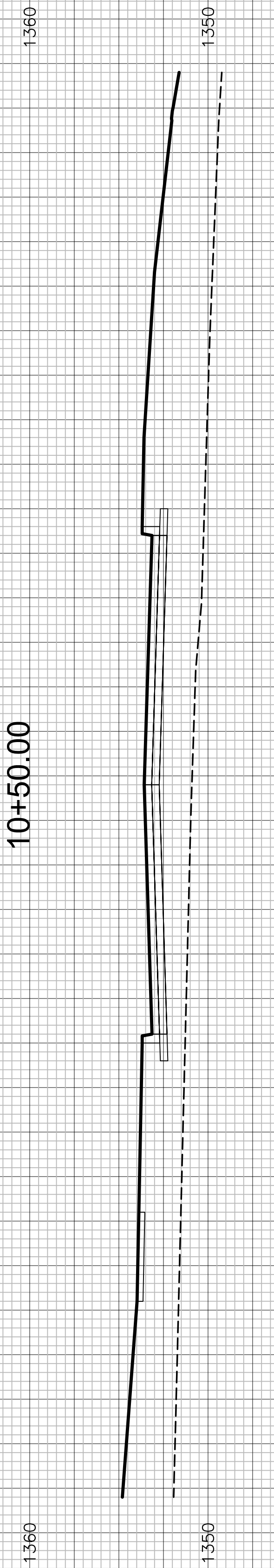
11+50.00



11+00.00



10+50.00



10+30.83

