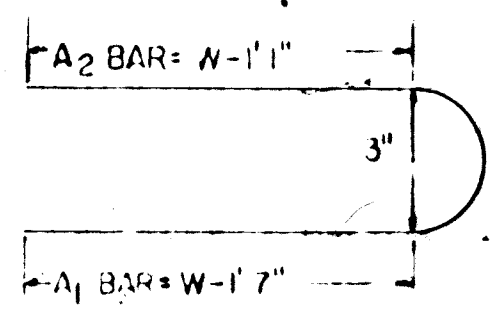


PLAN
SCALE 1"=1'0"

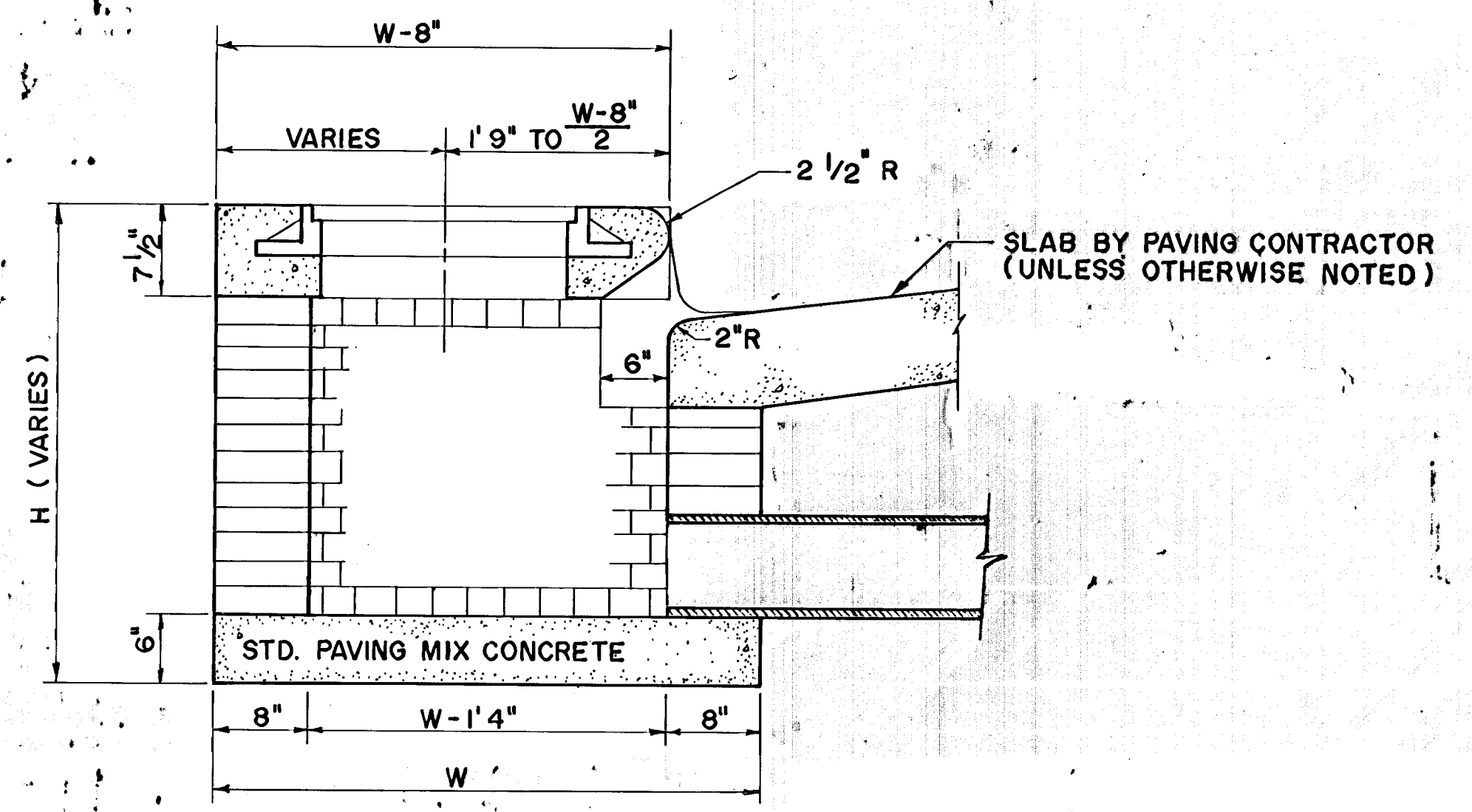


REIN. STEEL TO BE PLACED ON 6" CTR'S

SHAPE CURB AND/OR GUTTER AT INLET OPENING WITH SMOOTH CURVES

BAR	a ₁	a ₂	a ₃	b			b ₂	b ₃	b ₄	WT Lbs.
SIZE	"4	"4	"4	W=3'0"	W=4'0"	W=5'0"	"4	"4	"6	
NUMBER	4	4	2	3	5	6				
W-4'2"	5'5"	6'5"	3'7"	5'5"	-	-	1'7"	5'6"	4'0"	6'0"
W-5'0"	7'1"	8'1"	4'7"	5'5"	-	-	1'7"	5'6"	4'0"	7'7"
W-6'0"	9'1"	10'1"	5'7"	5'5"	-	-	1'7"	5'6"	4'0"	9'7"

*NOTE: A₃ BARS TO BE PLACED APPROXIMATELY 2" BELOW TOP OF INLET COVER

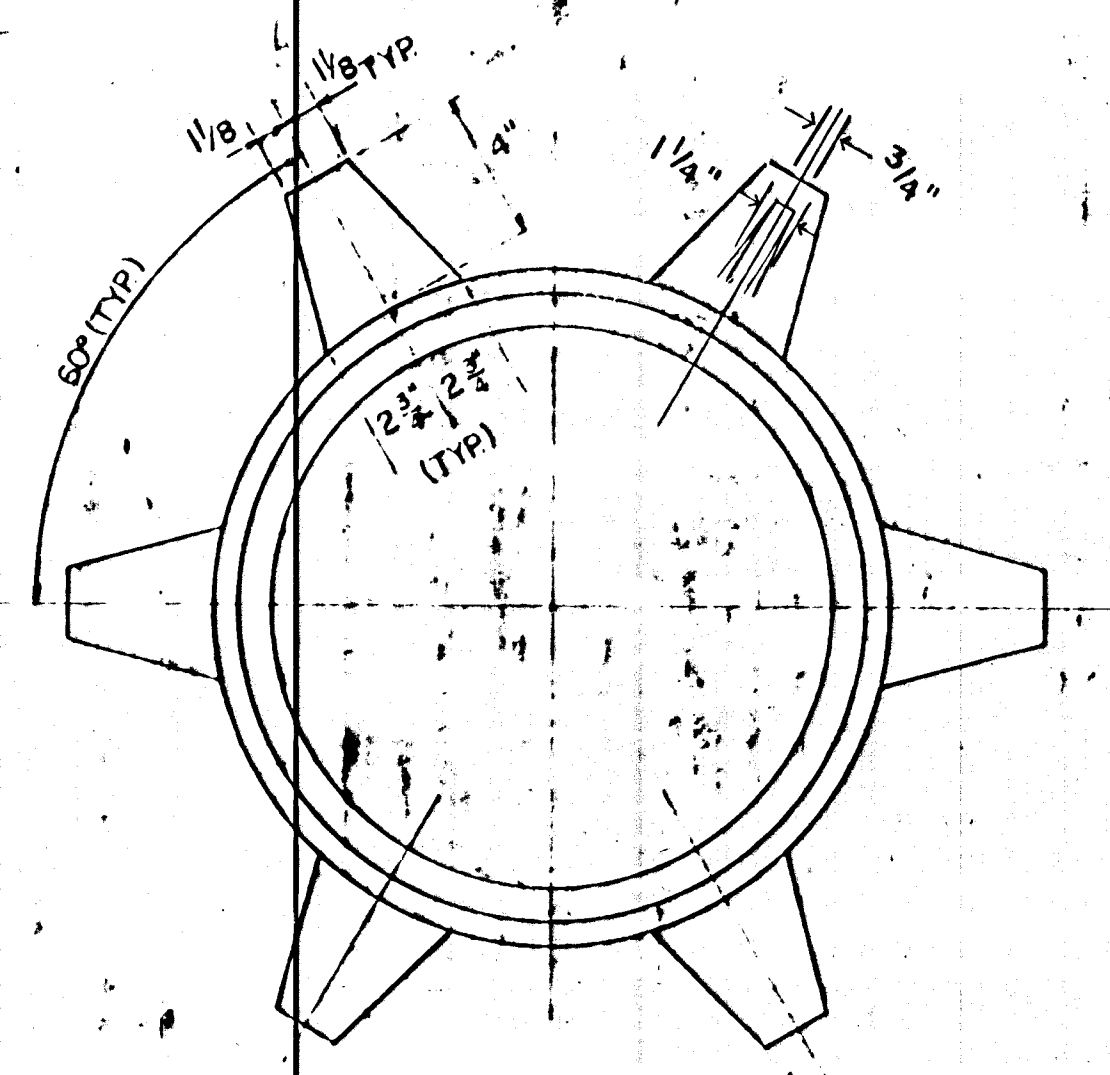


SECTION A-A
SCALE 1"=1'0"

STD CURB INLET CONCRETE TOP

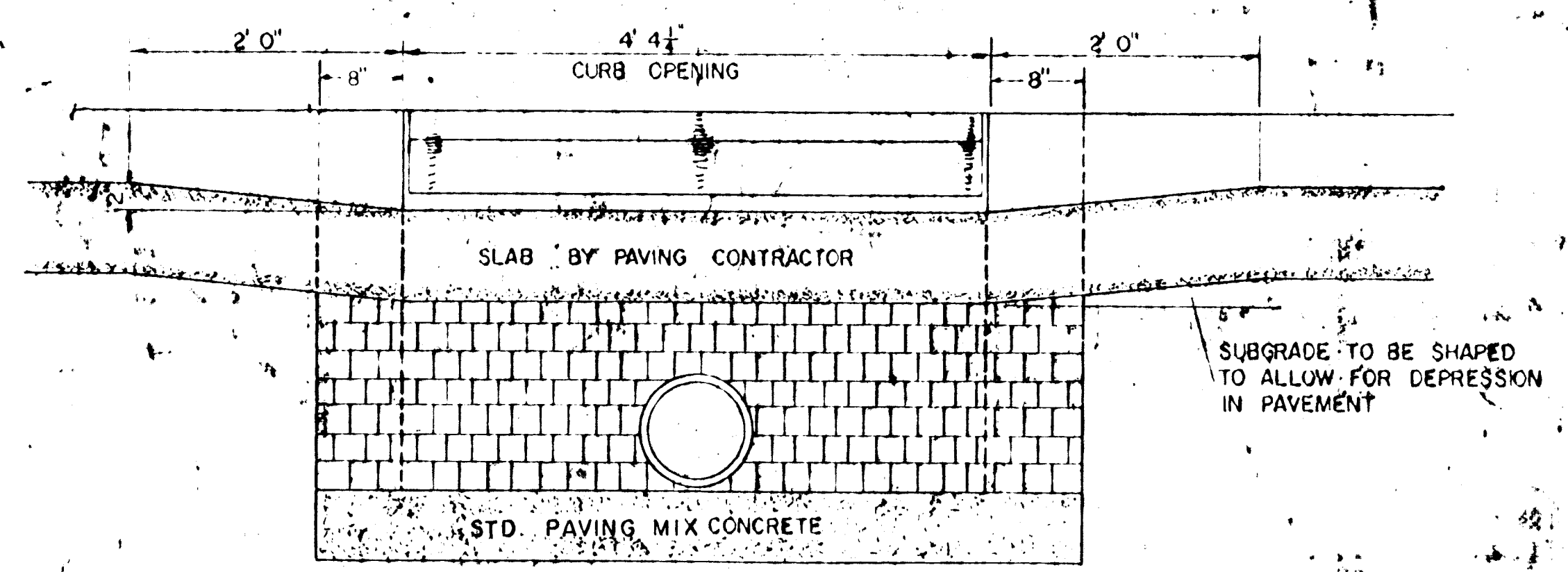
W	SIZE	PIPE SIZE	CL YD CONC
4'2"	3'6" x 5'8" x 7'	24" B SMALLER	0.46 ^{cu}
5'0"	4'4" x 5'8" x 7'	30" B 36"	0.57 ^{cu}
6'0"	5'4" x 5'8" x 7'	42" B 48"	0.71 ^{cu}

*GROSS VOLUME
CONCRETE TOPS TO BE INSTALLED ON THIN MORTAR CUSHION TO INSURE FULL SUPPORT ALONG BRICK WALLS. CONCRETE TOPS MAY BE CAST IN PLACE OR PRECAST CONCRETE FOR INLET TOPS AND FLOORS SHALL BE STD. PAVING MIX.



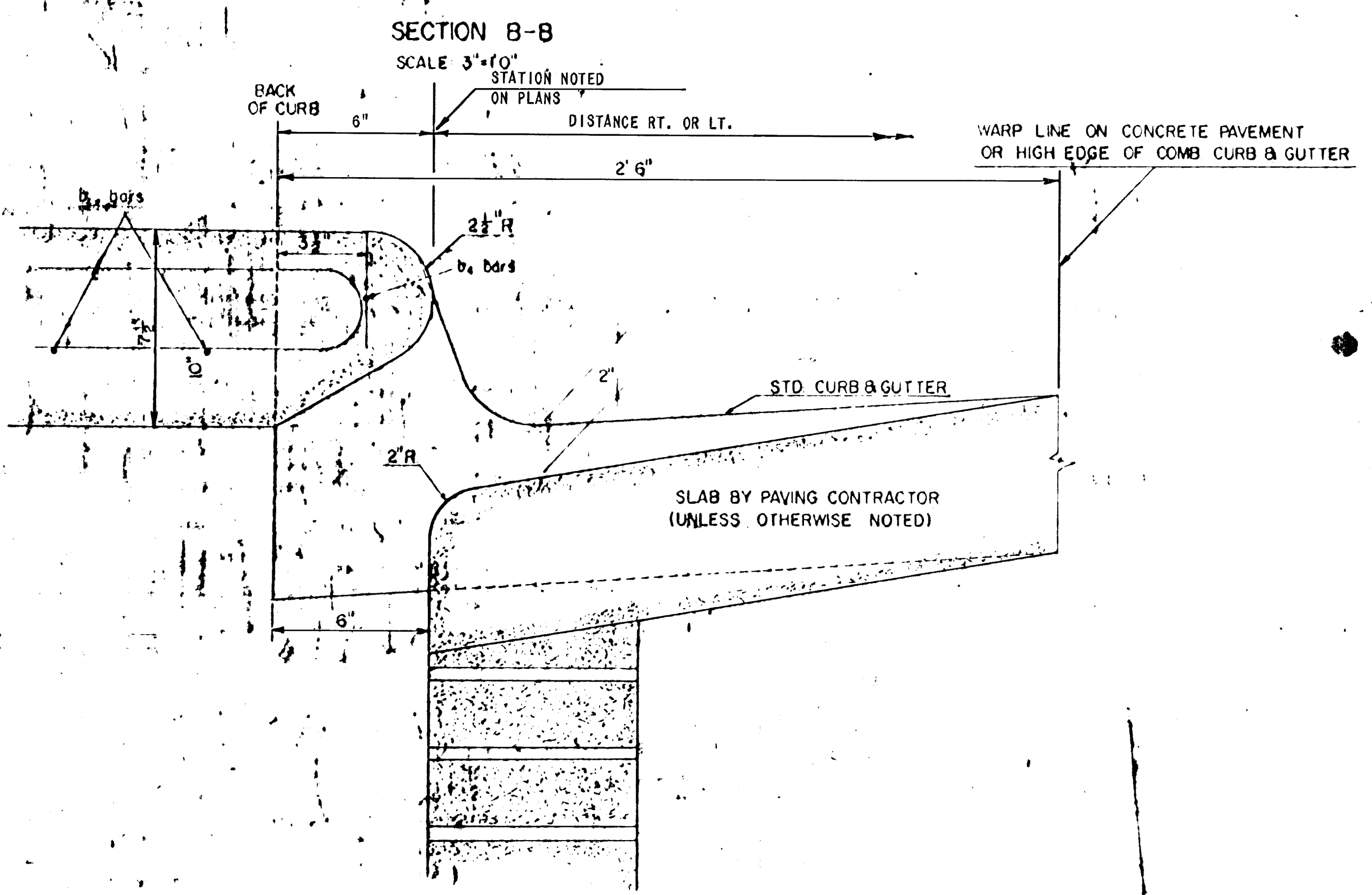
MANHOLE RING

SEE SEWER APPURTENANCES DETAIL SHEET FOR MANHOLE COVER



SECTION C-C
SCALE 1"=1'0"

BRICK FOR INLET CONSTRUCTION SHALL CONFORM WITH THE LATEST REVISION OF THE AMERICAN SOCIETY FOR TESTING AND MATERIALS DESIGNATION C32 FOR MANHOLE BRICK GRADE MS.



SECTION B-B
SCALE 3"=1'0"
STATION NOTED

THIS TYPE INLET TO BE USED WHEN PAVEMENT IS ASPHALT PAVEMENT WITH CONCRETE BASE AND/OR WHEN PAVEMENTS HAVE FULL HEIGHT STANDARD CURBS.

CITY OF WICHITA PROJECT NO. 472-78-245-81101-000-000-001

DETAIL
STANDARD CURB INLET-TYPE I
CITY OF WICHITA, KANSAS

FEBRUARY, 1975