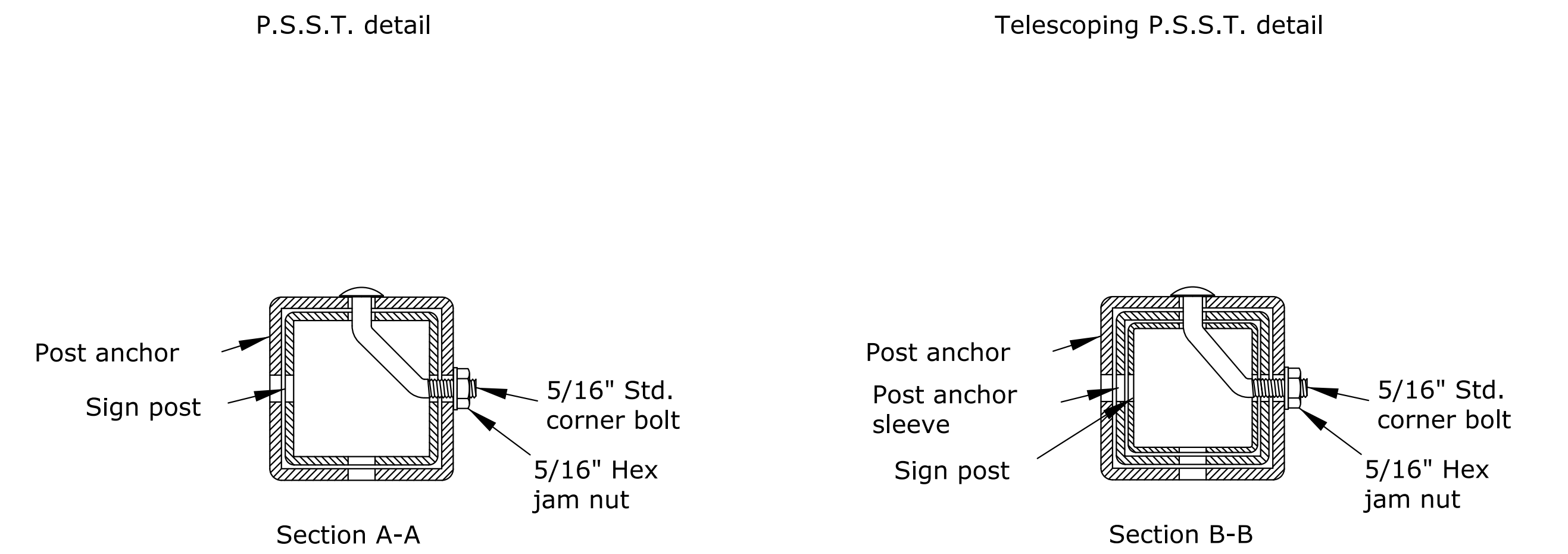
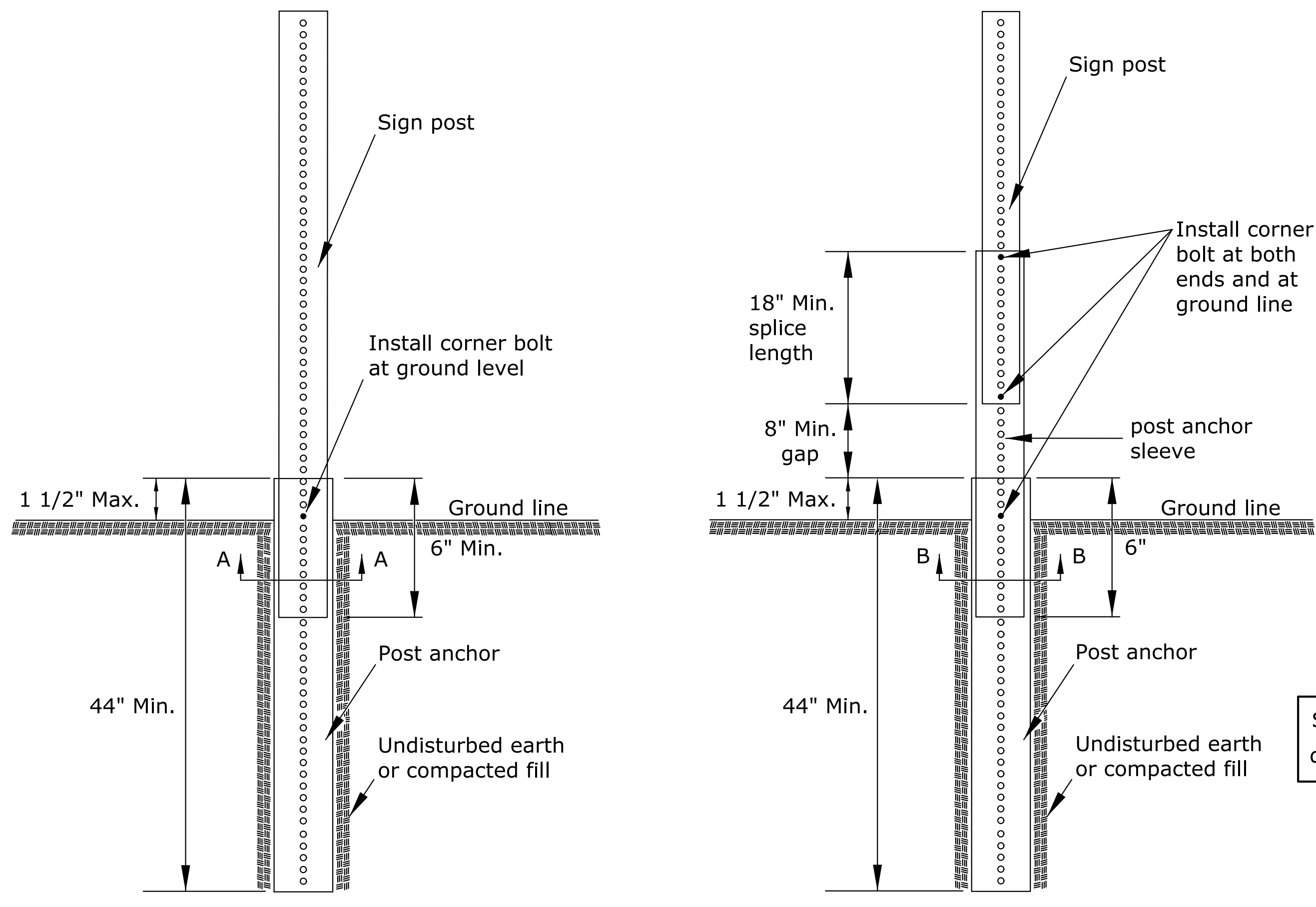
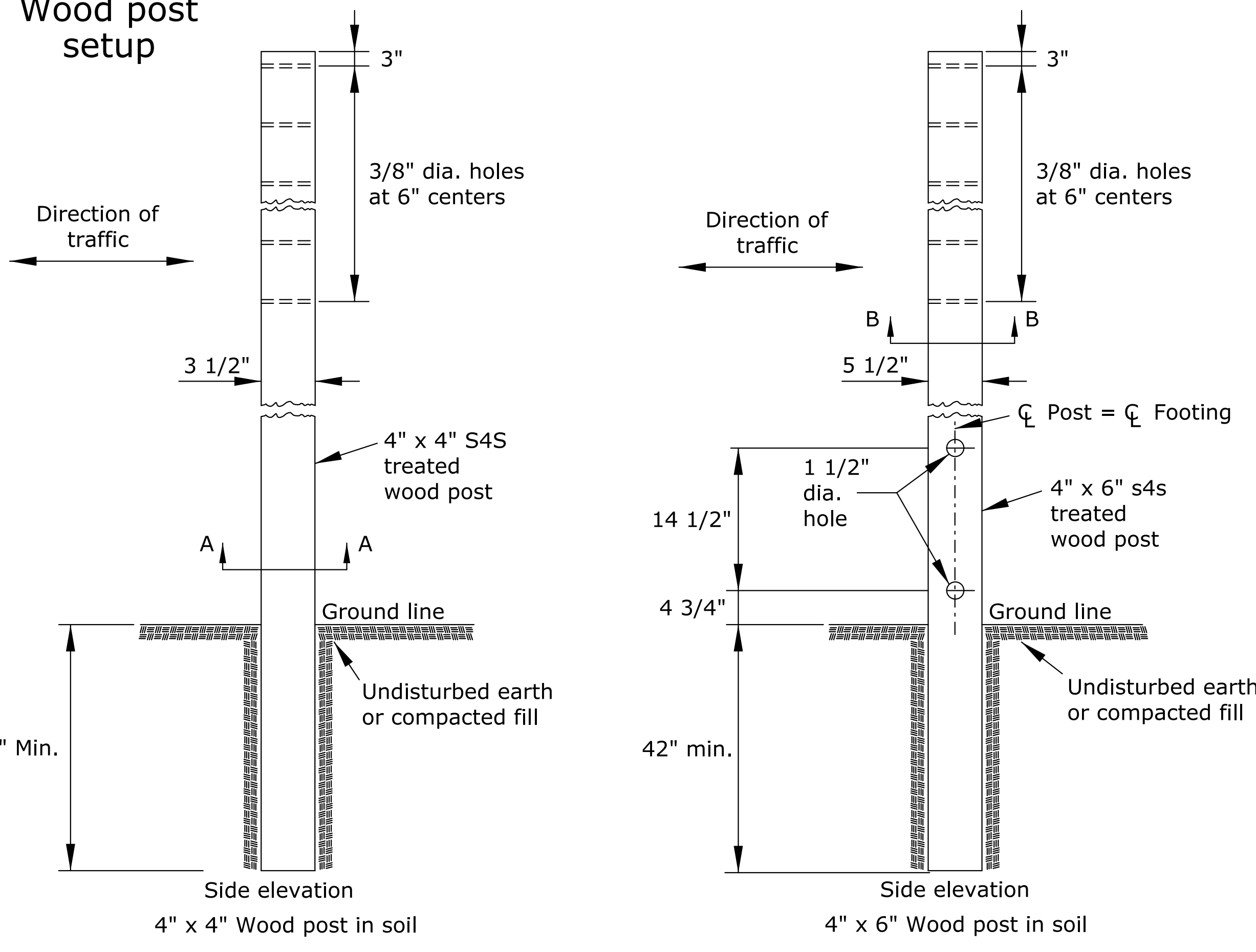


Perforated square steel tube (P.S.S.T.) post setup

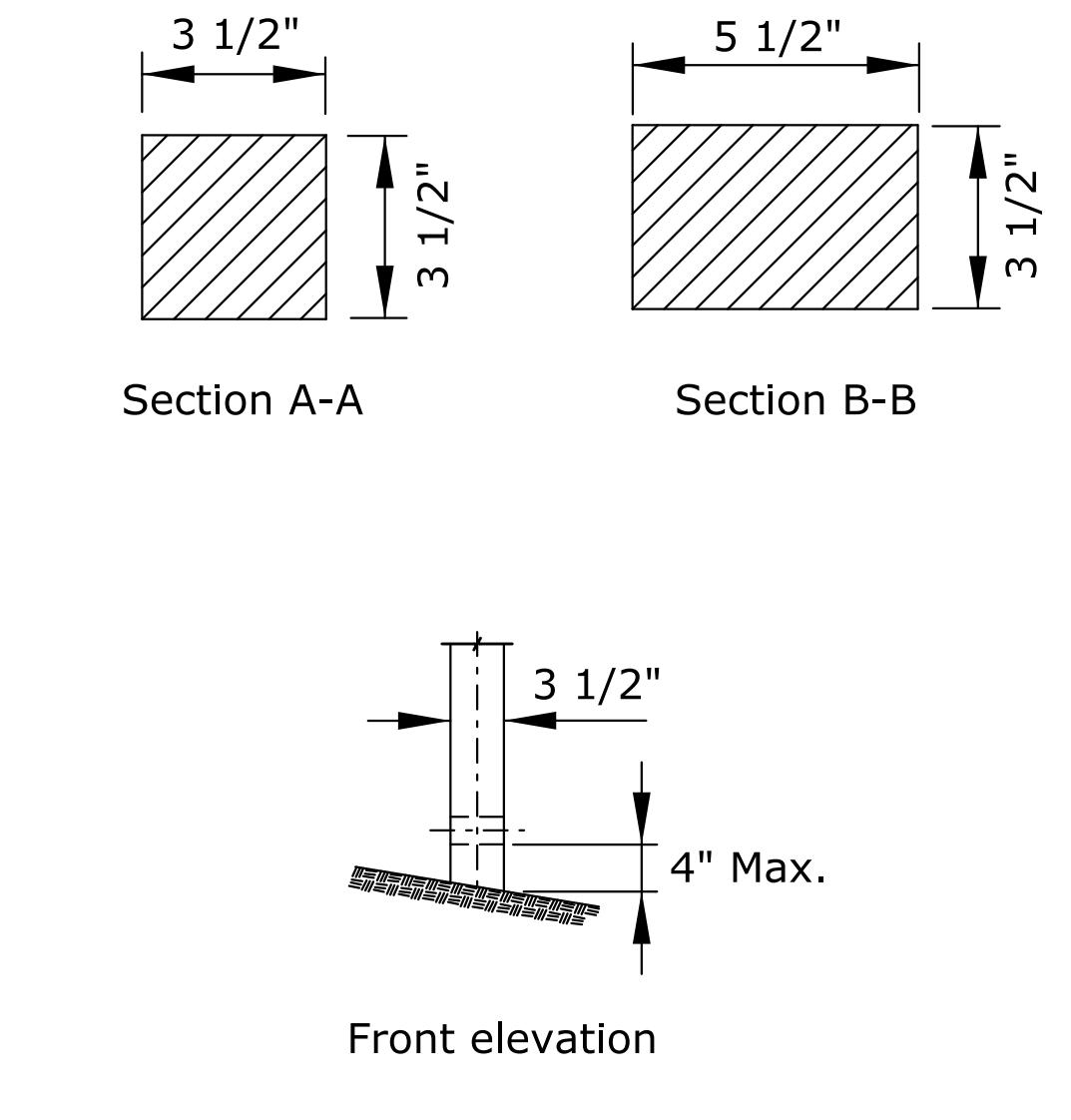


Details for 2", 2 1/4", or 2 1/2" sign posts
Place bolts in the same corner along each sign post.

Wood post setup

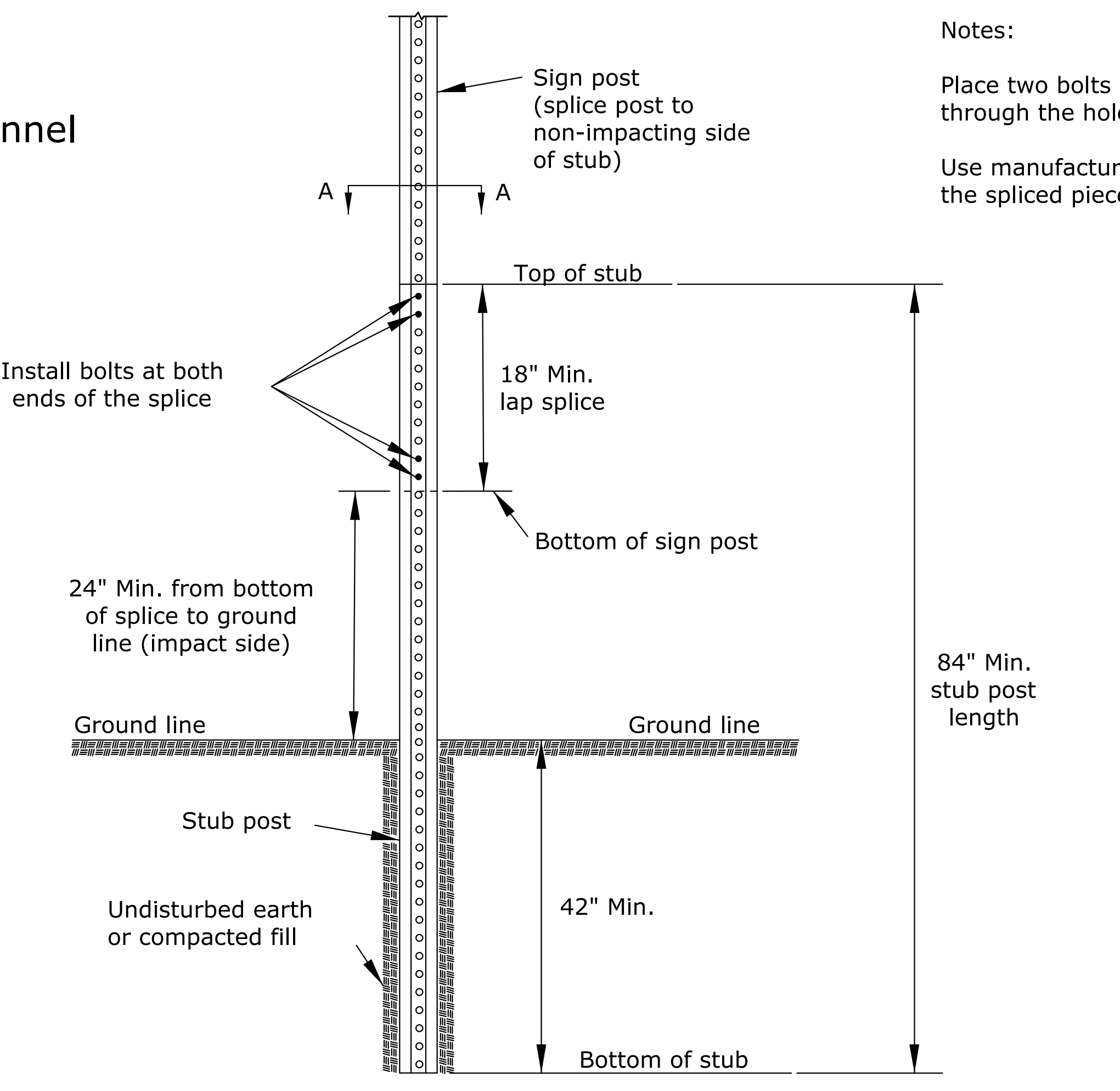


STATE	PROJECT NO.	YEAR	SHEET NO.	TOTAL SHEETS
KANSAS		2022	15	23

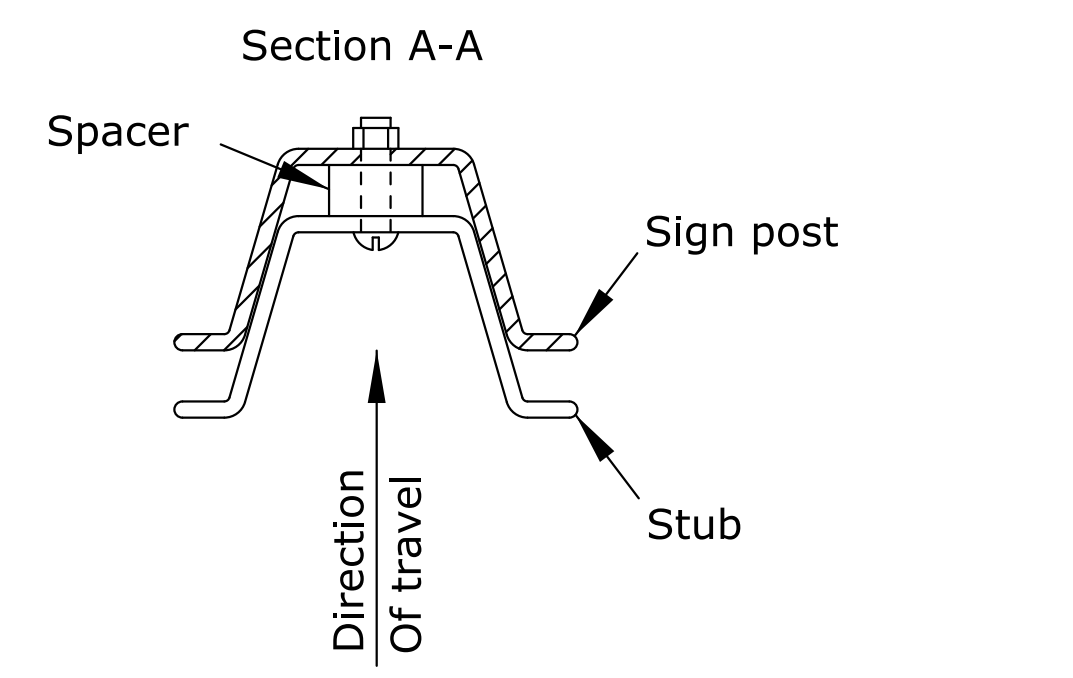


See TE710 for additional details and requirements

3 lb/f U-Channel setup



Notes:
Place two bolts at both ends of the splice through the holes nearest the ends of the splice.
Use manufacturer recommended spacers over the bolts between the spliced pieces of U-Channel.



3					
2					
1					
NO.	DATE	REVISIONS	BY	APP'D	
KANSAS DEPARTMENT OF TRANSPORTATION					
TRAFFIC CONTROL SIGN POSTS					
TE712					
DESIGNED	B.A.H.	06/01/15	APP'D	Kristina Pyle	
DESIGN CK.	DETAIL CK.	QUAN. CK.	TRACE	CK.	

Plotted : 01-JUN-2015 13:54 Traffic
Drawn By : mushook
File : te712.dgn

KDOT Graphics Certified