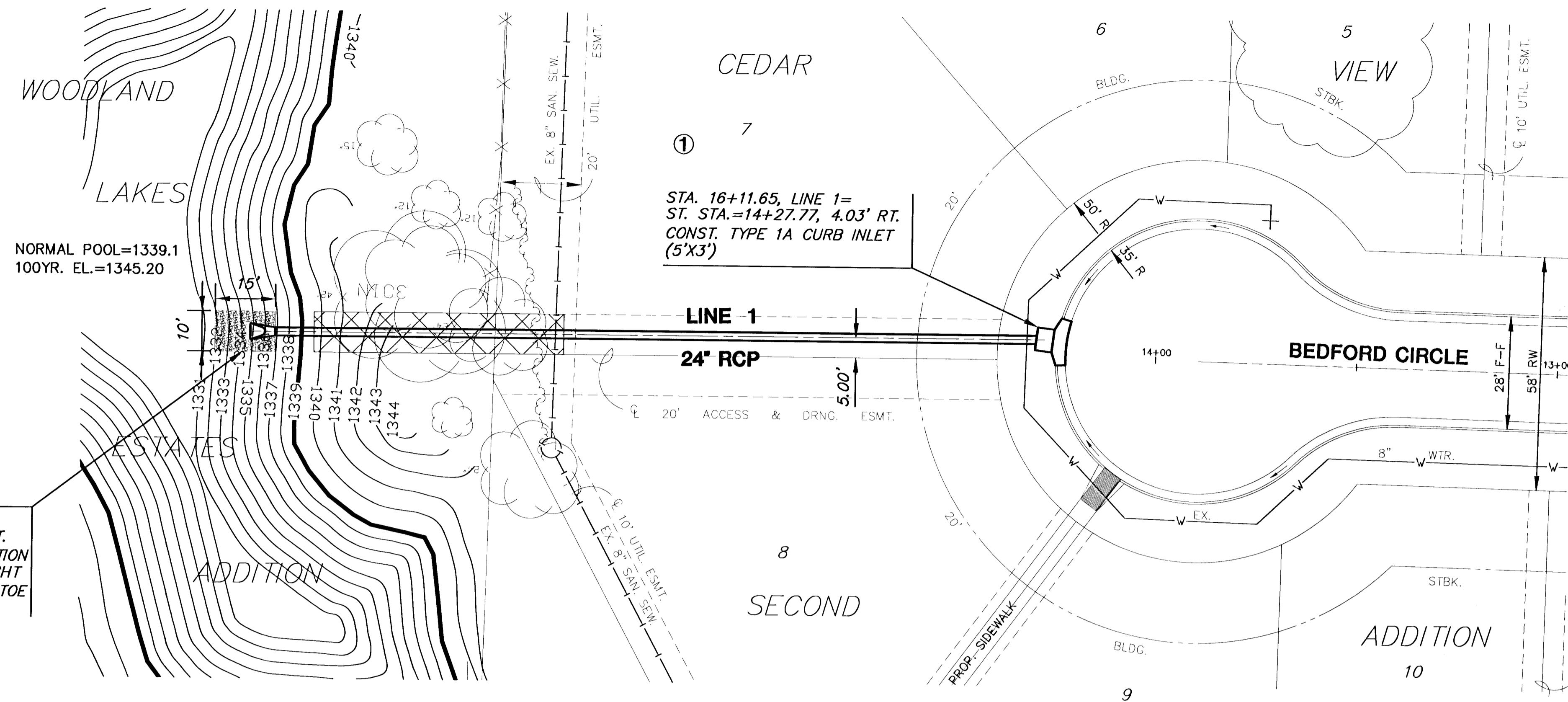


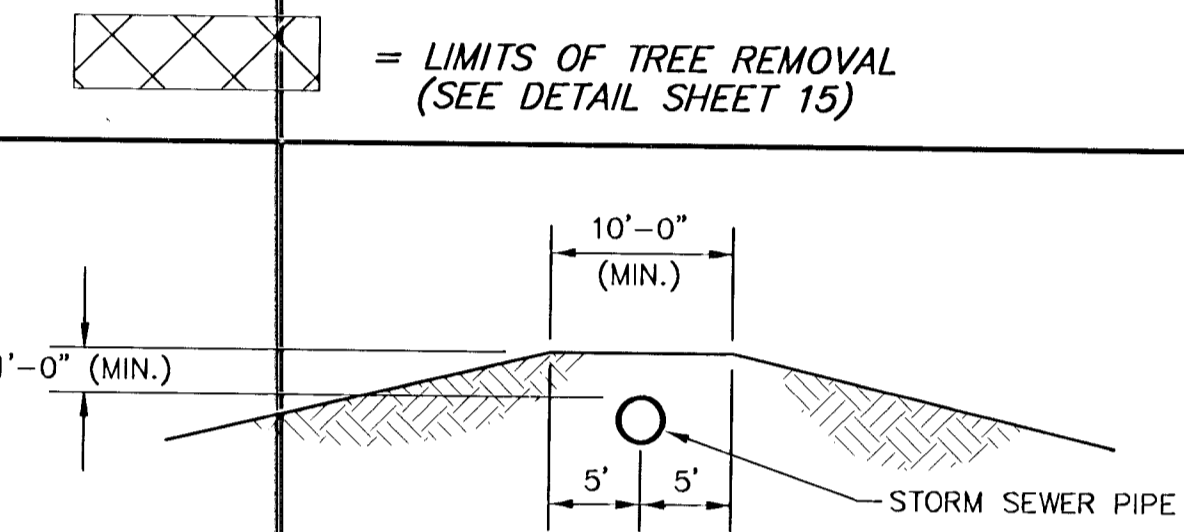
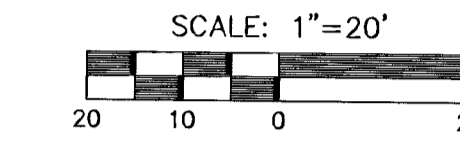
**CEDAR VIEW SECOND ADD.
STORM WATER SEWER PLANS
LINE 1**



STA. 0+00, LINE 1=
ST. STA. 16+25.40, 0.99' LT.
BEGIN 24" RCP W/END SECTION
AND INSTALL 17 S.Y. OF LIGHT
STONE RIPRAP W/GROUTED TOE
WALL (L=10', W=2'D=4')

NORMAL POOL=1339.1
100YR. EL.=1345.20

STA. 16+11.65, LINE 1=
ST. STA.=14+27.77, 4.03' RT.
CONST. TYPE 1A CURB INLET
(5'X3')



PROTECTIVE FILL DETAIL

MINIMUM PROTECTIVE FILL SHALL BE PROVIDED IN ALL INSTANCES
WHERE COVER OVER THE PROP. STORM SEWER LINE IS LESS THAN
(1) FEET. (COST SUBSIDIARY TO PIPE INSTALLATION)

PLAN - LINE 1

SCALE: 1" = 20'

PROFILE - LINE 1

HORIZONTAL SCALE: 1" = 20'
VERTICAL SCALE: 1" = 5'

