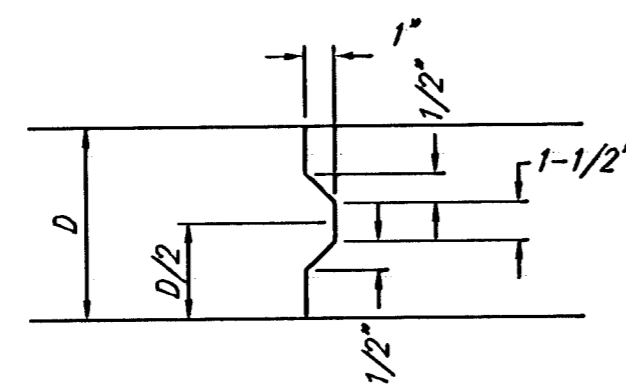
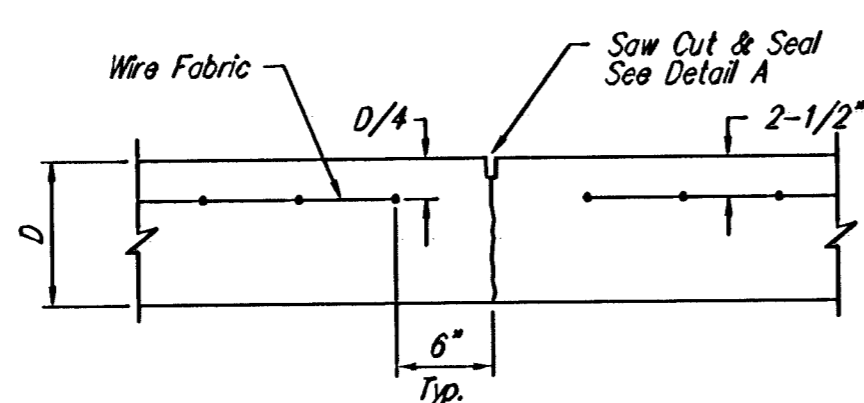


EXPANSION JOINT

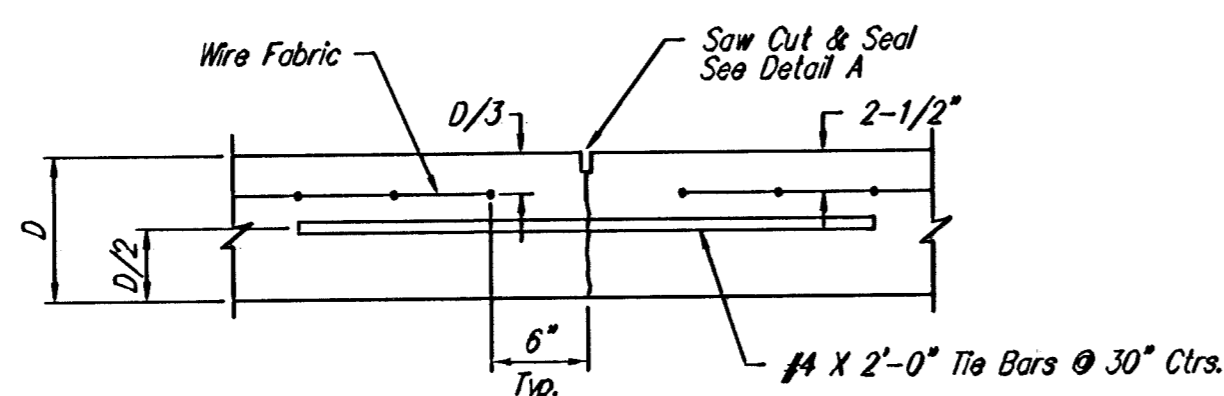
NOTE: Extra Thickness to be Subsidiary to Price of Square Yards Pavement



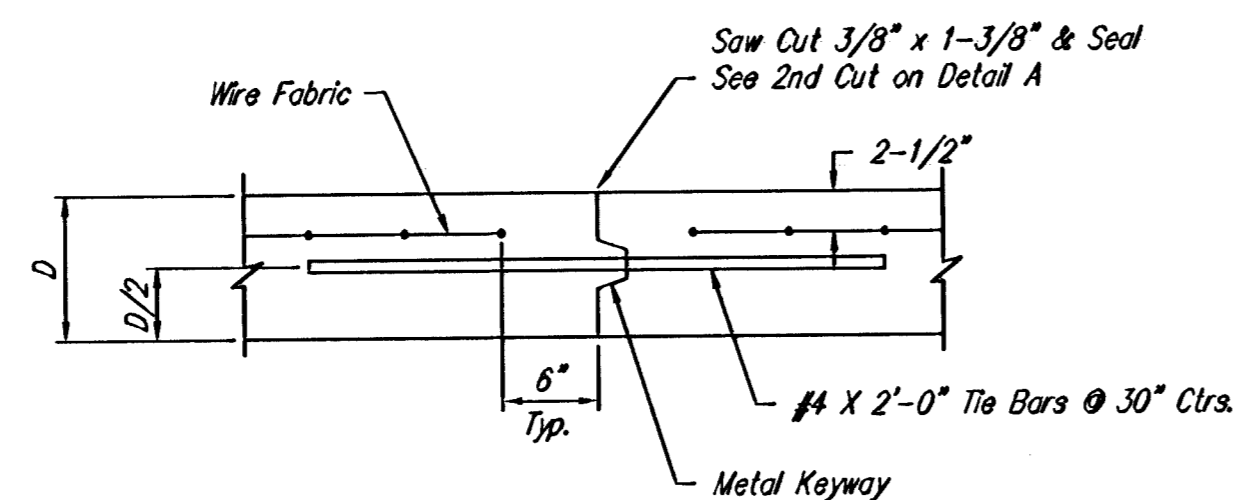
KEYWAY DETAIL



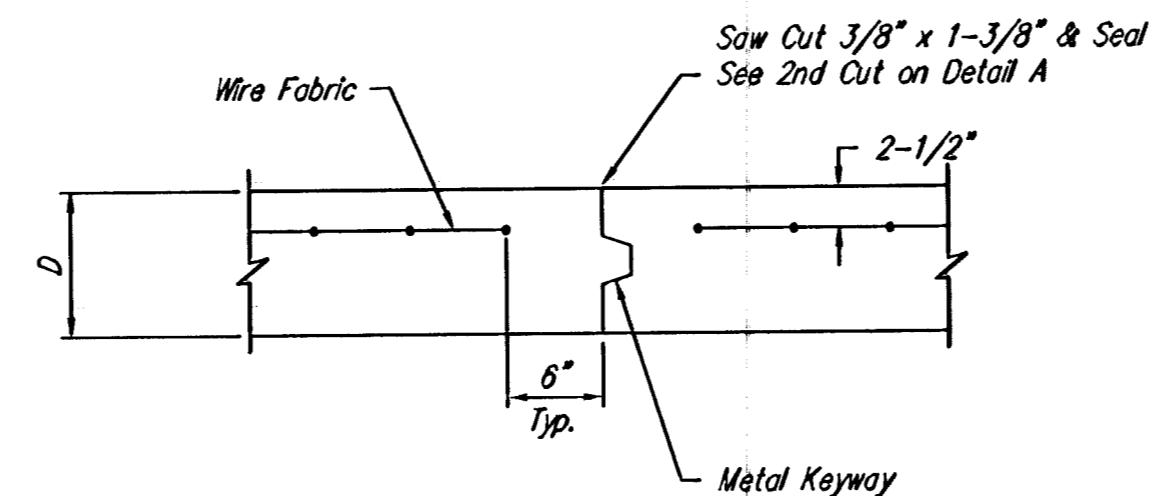
CONTRACTION JOINT DETAIL (C.J.)



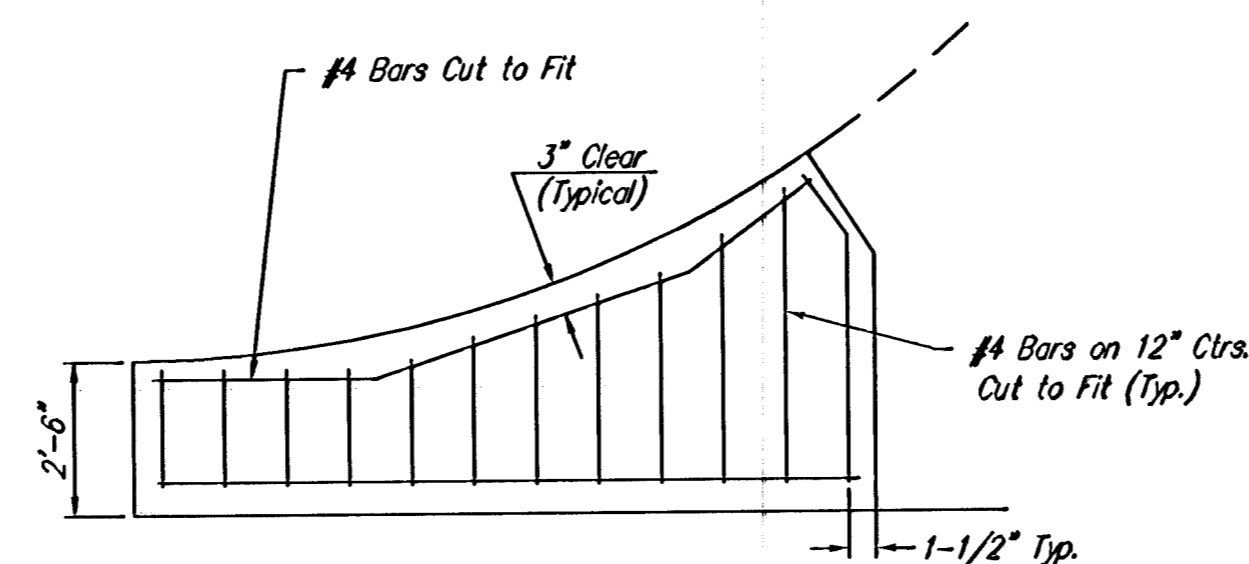
LONGITUDINAL JOINT DETAIL (L.J.)



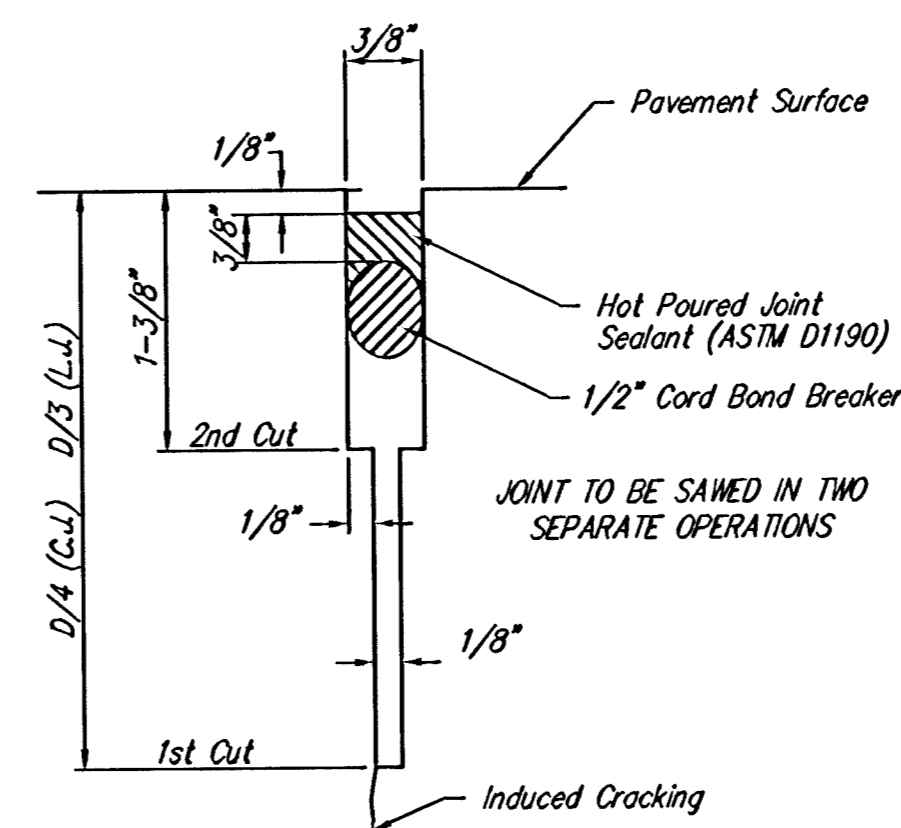
OPTIONAL LONGITUDINAL JOINT DETAIL (L.J.)



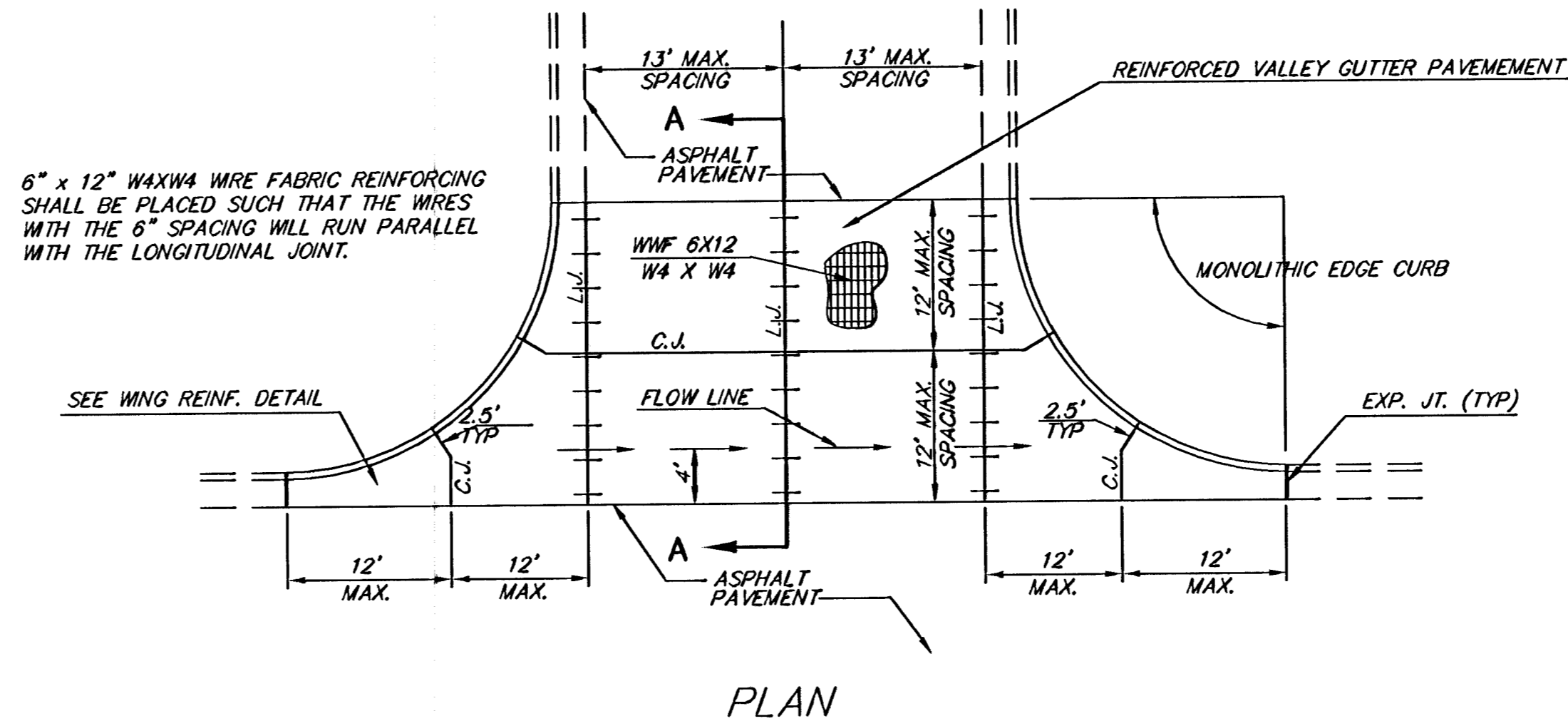
OPTIONAL CONTRACTION JOINT



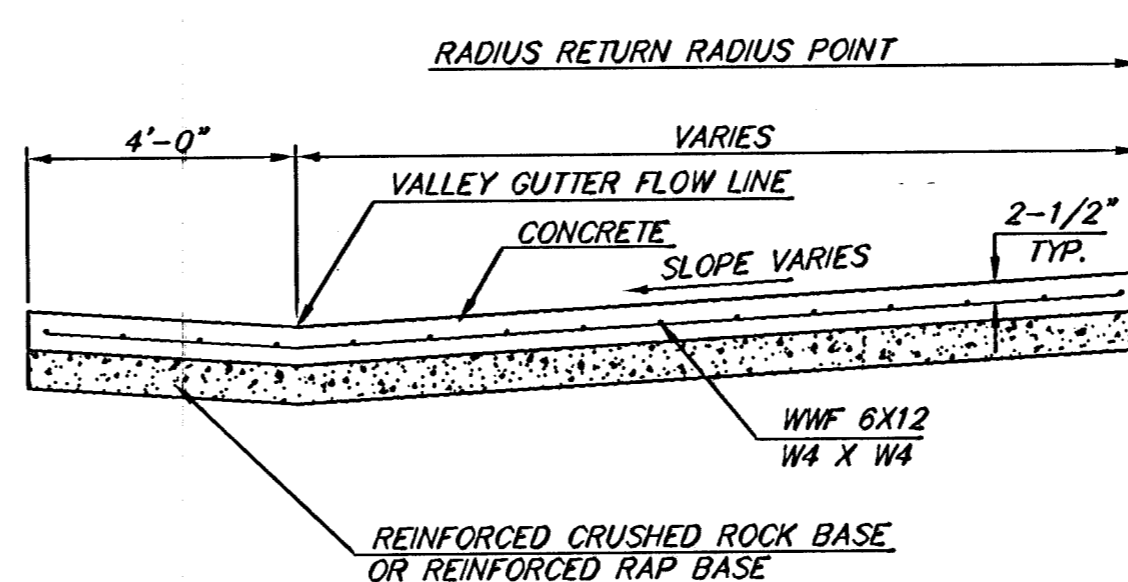
WING REINFORCING DETAIL



SAW JOINT DETAIL



PLAN



SECTION A-A

REINFORCED VALLEY GUTTER DETAIL

H:\VCL\38588\02172.DWG\PAV\GUTTERS_V_LINT\021722PA.DWG



VALLEY GUTTER DETAILS		
CITY ENGINEER JAMES L. ARMOUR, P.E.		
PROJECT NUMBER 472-83719	OCA NUMBER 765978	DATE AUG 06
CITY ENGINEER'S OFFICE CITY HALL - SEVENTH FLOOR 455 NORTH MAIN STREET WICHITA, KANSAS 67202-1020 (316) 268-4501 (316) 268-4114 FAX		DESIGN ABC
		DRAWN DEF
		SHEET 4 OF 17