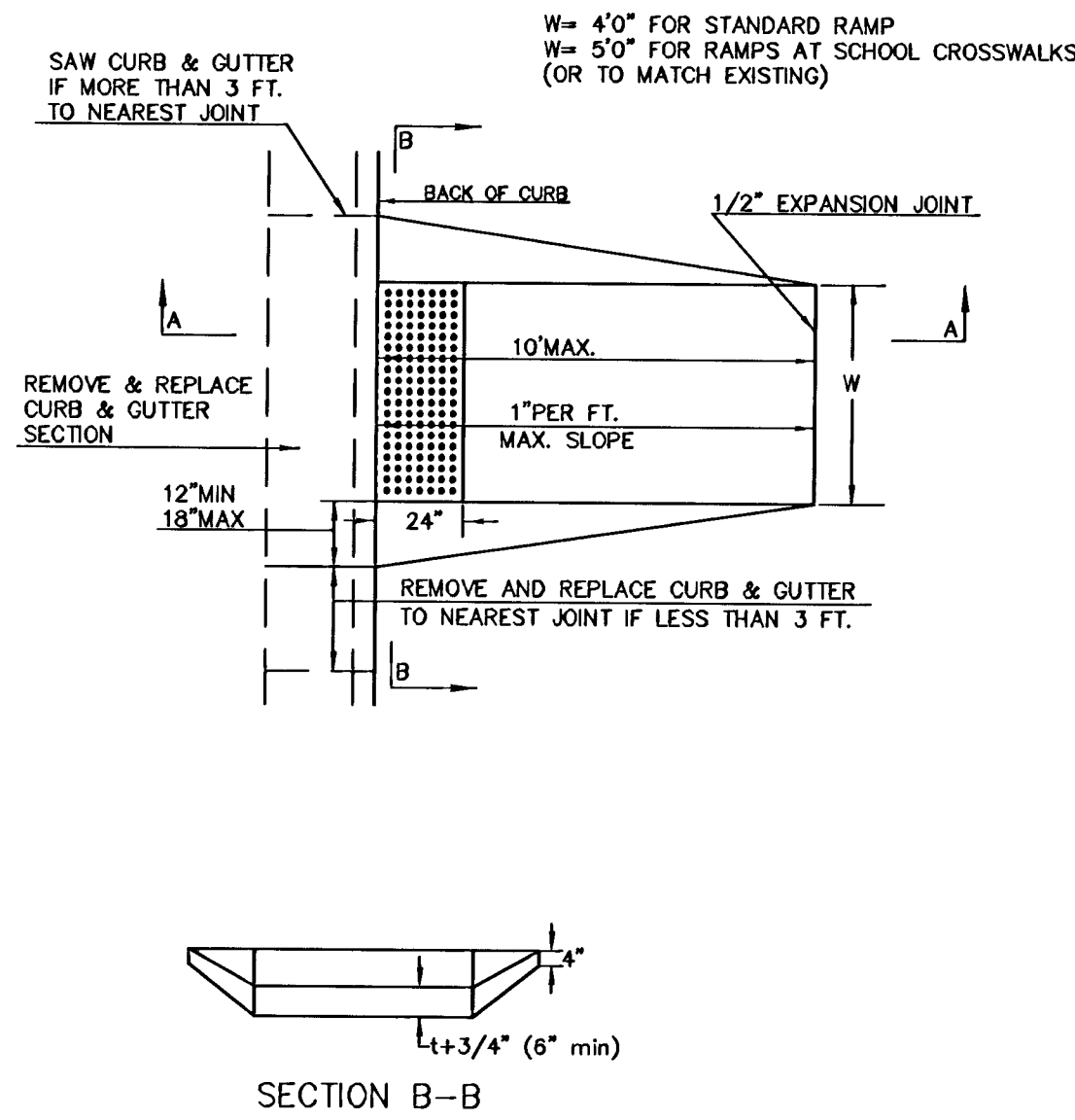
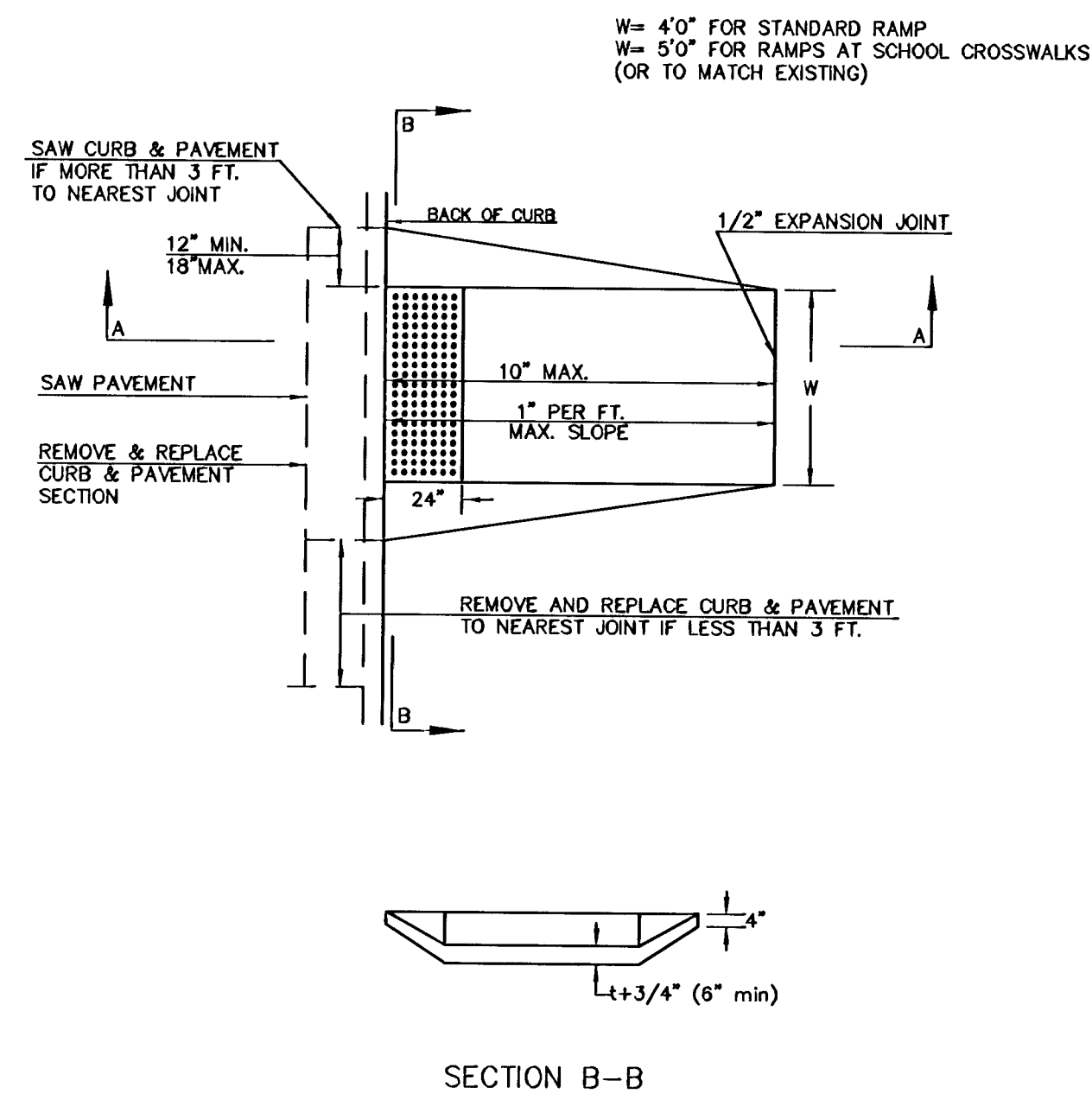


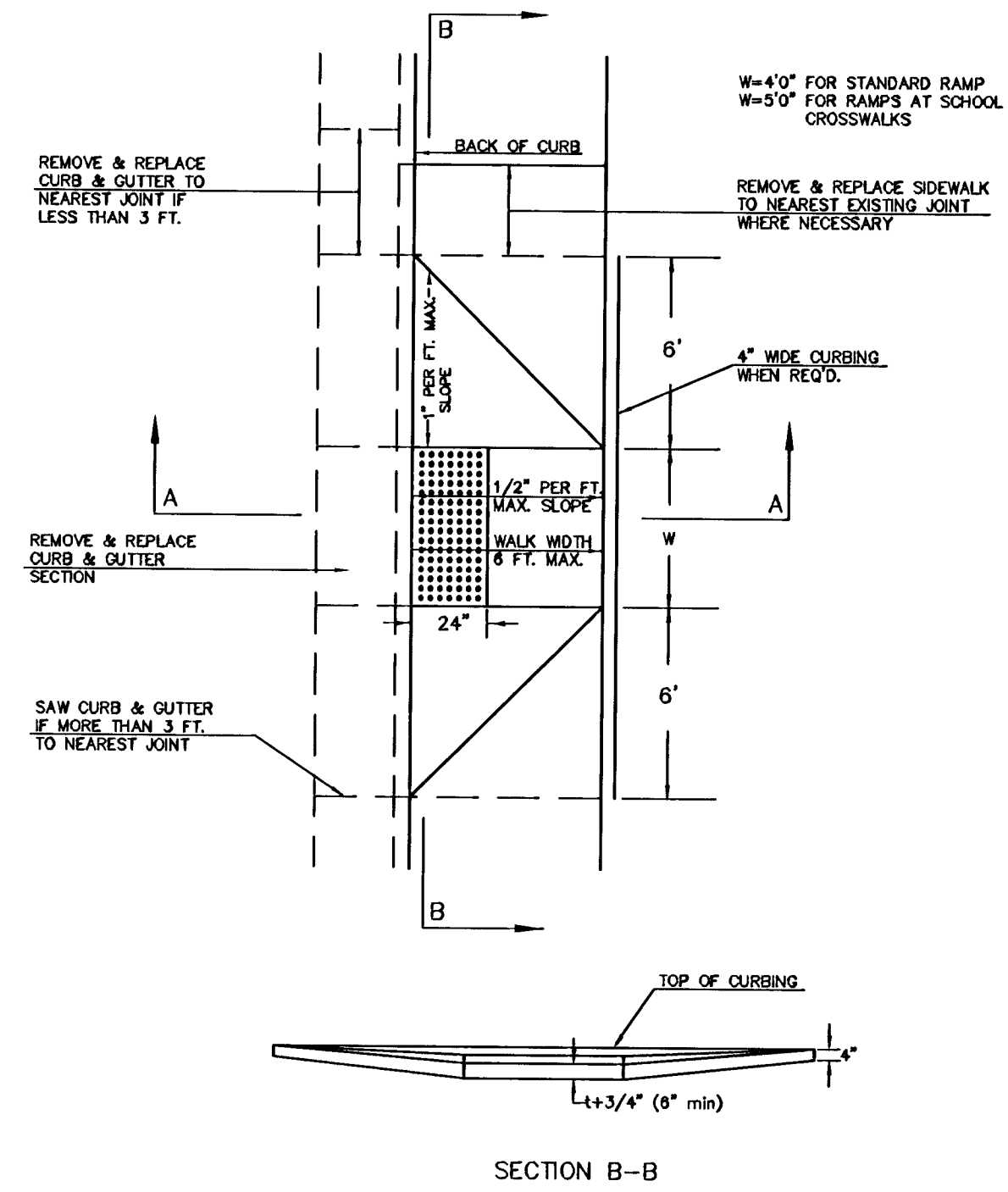
**STANDARD WHEELCHAIR RAMP CONSTRUCTION DETAIL FOR STREETS WITH COMBINED CURB & GUTTER (TYPE A)**



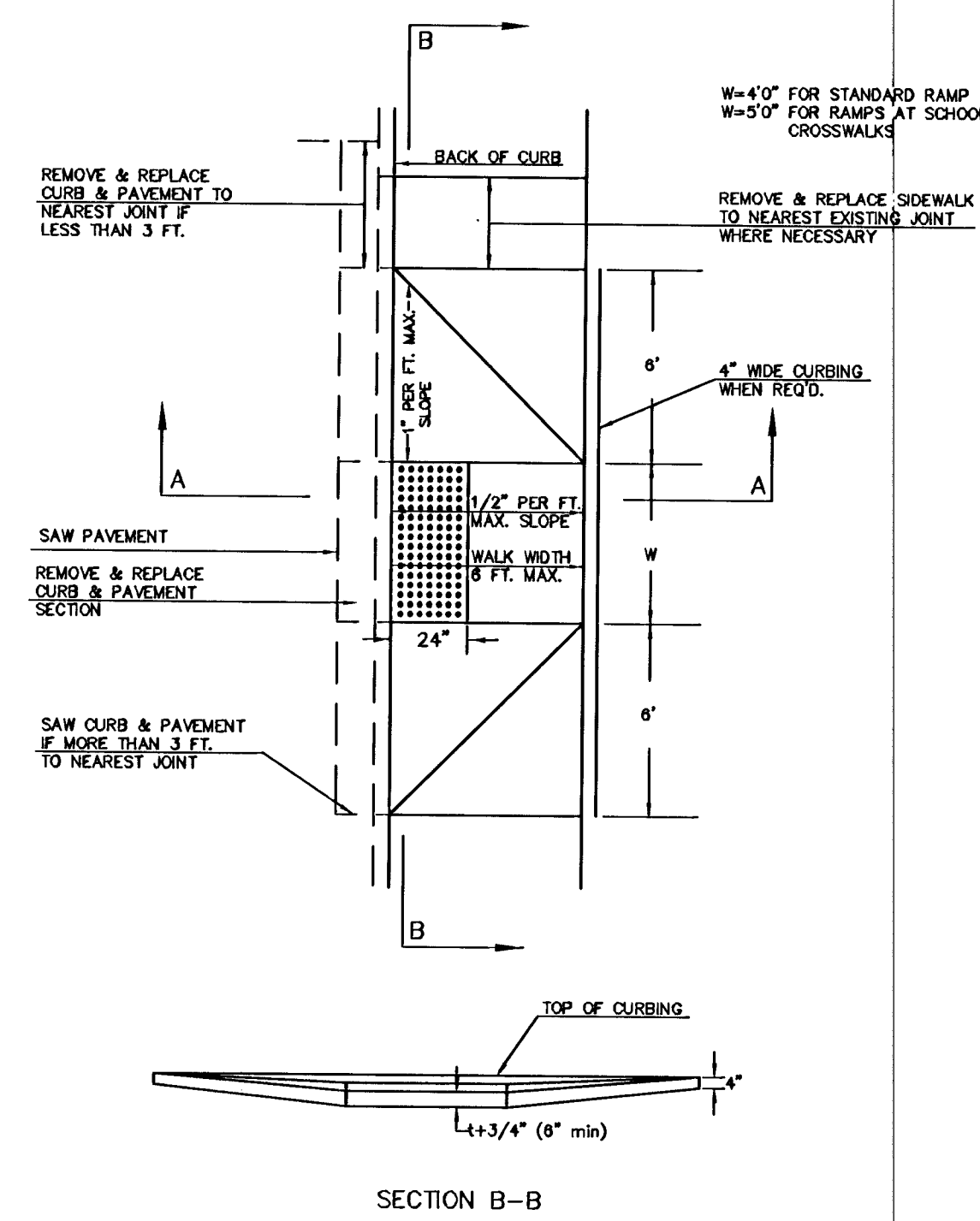
**STANDARD WHEELCHAIR RAMP CONSTRUCTION DETAIL FOR CONCRETE STREETS WITH MONOLITHIC CURB (TYPE A)**



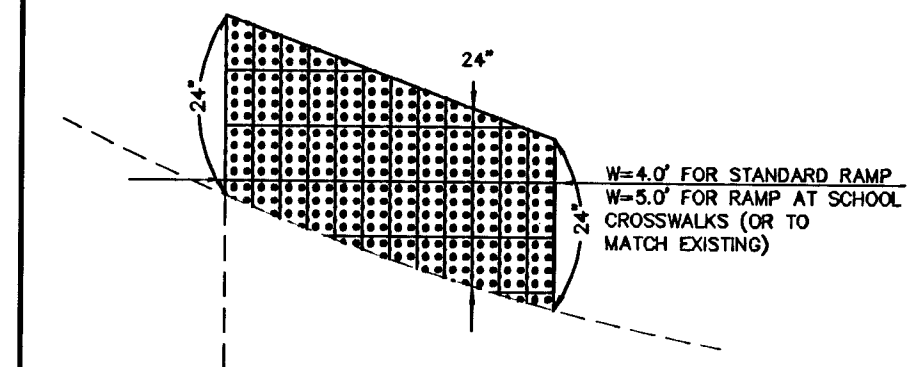
**STANDARD WHEELCHAIR RAMP CONSTRUCTION DETAIL FOR STREETS WITH COMBINED CURB & GUTTER AND FULL WALK (TYPE B)**



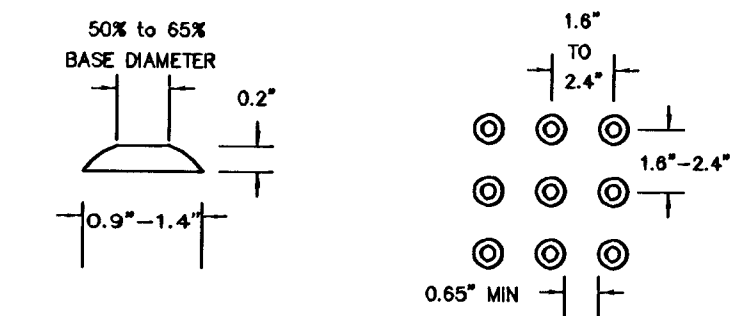
**STANDARD WHEELCHAIR RAMP CONSTRUCTION DETAIL FOR STREETS WITH MONOLITHIC CURB AND FULL WALK (TYPE B)**



**TYPICAL BRICK PATTERN**

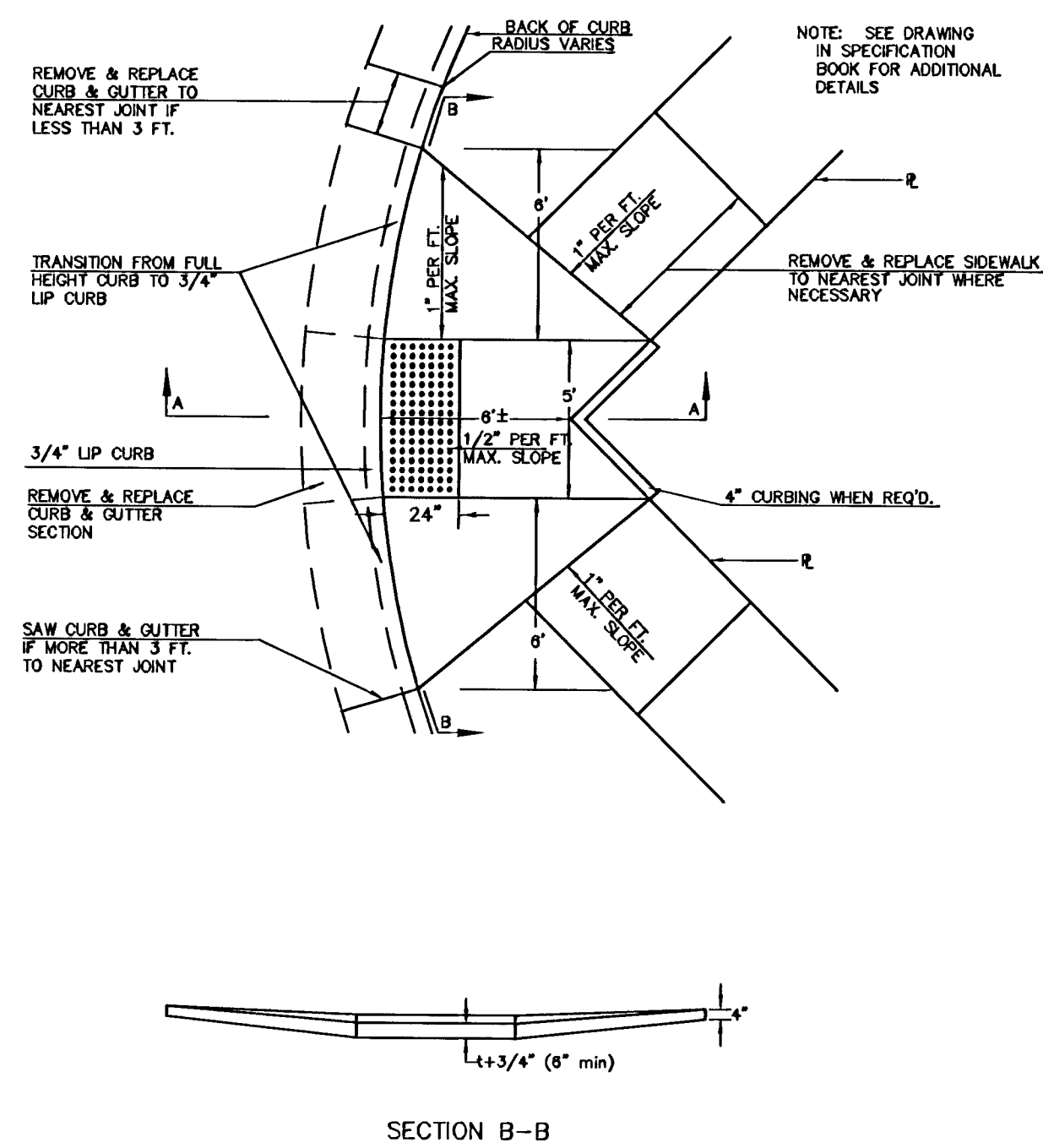


**BRICK PATTERN WHEN RAMP INTERSECTS A CURB**

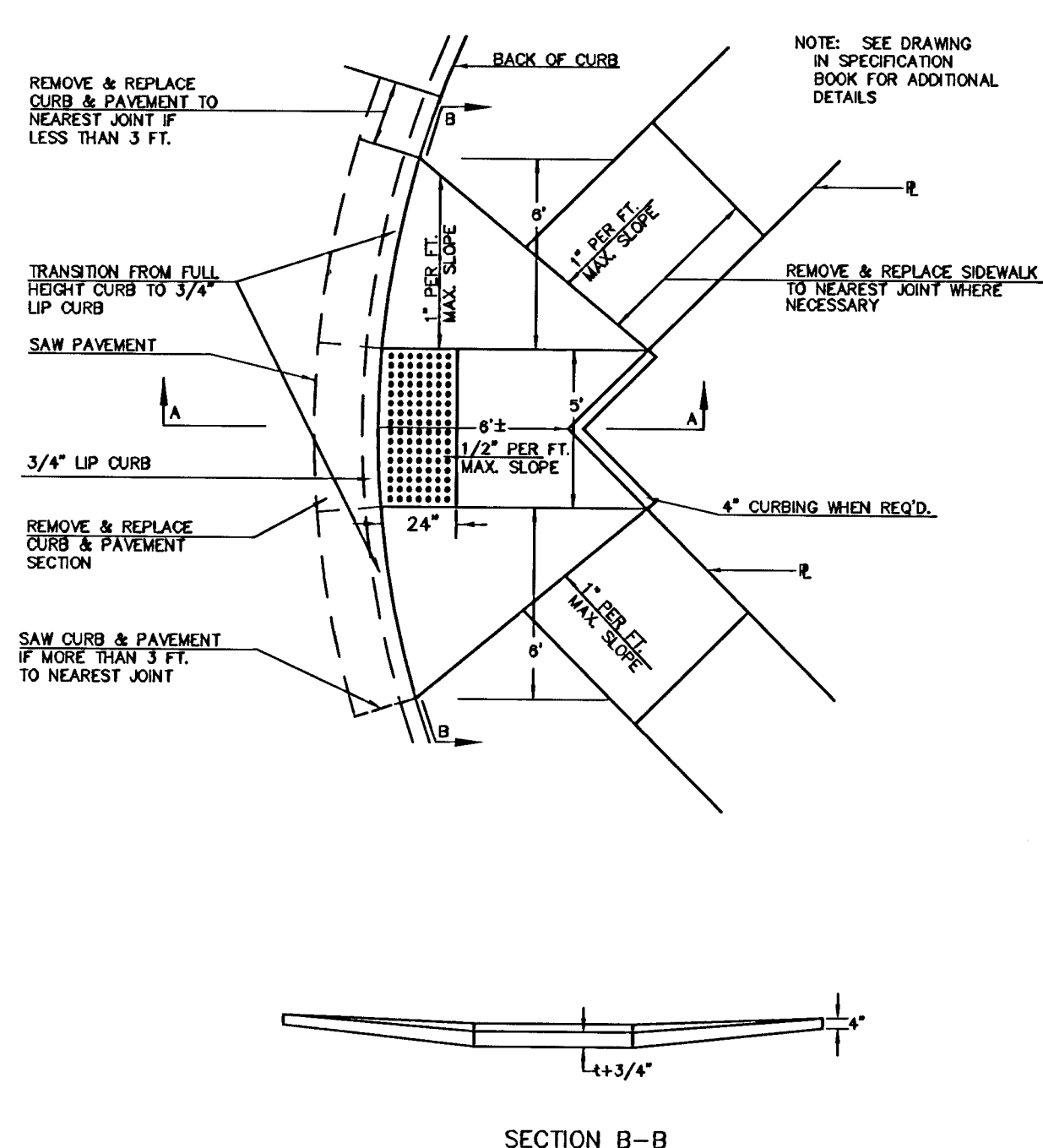


**DOMES DETAIL**

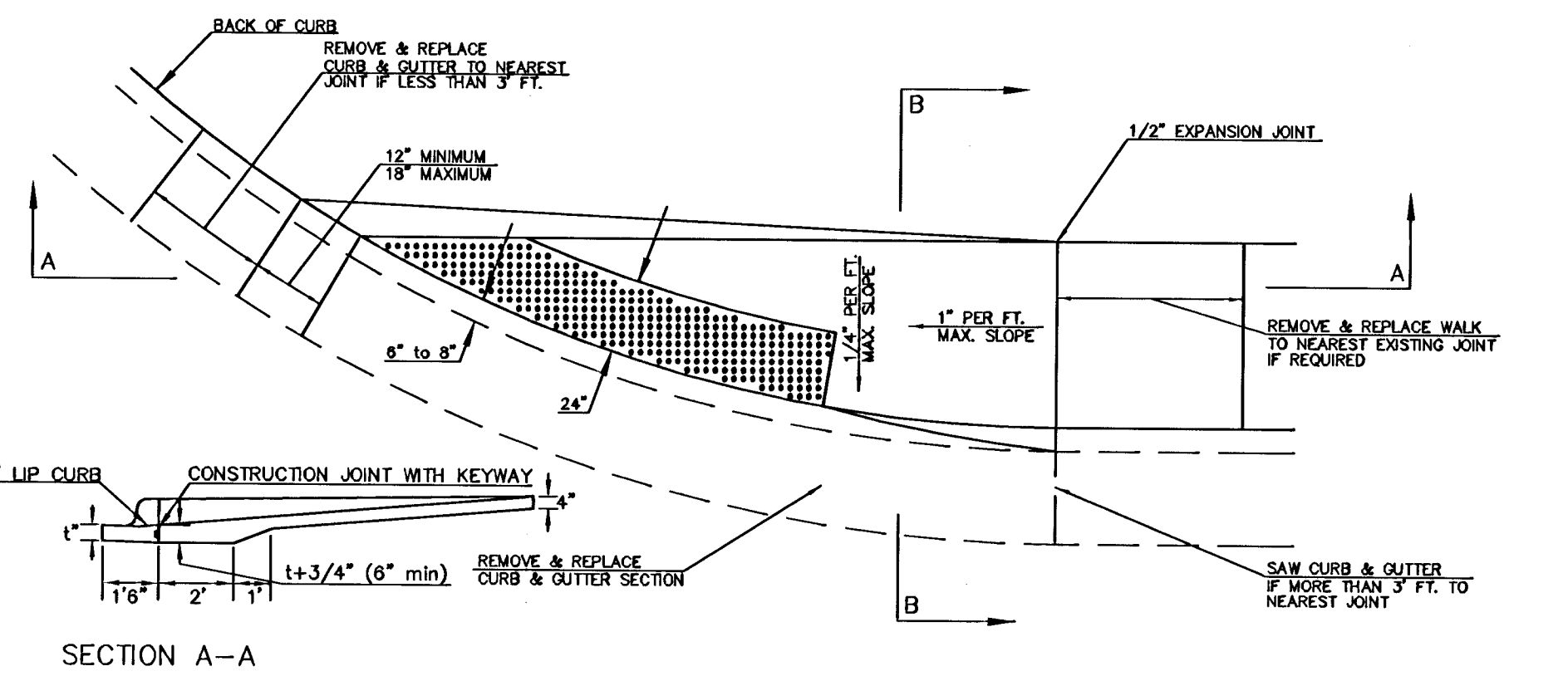
**STANDARD WHEELCHAIR RAMP CONSTRUCTION DETAIL FOR STREET WITH COMBINED CURB AND GUTTER ON RADIUS WITH 6\"/>**



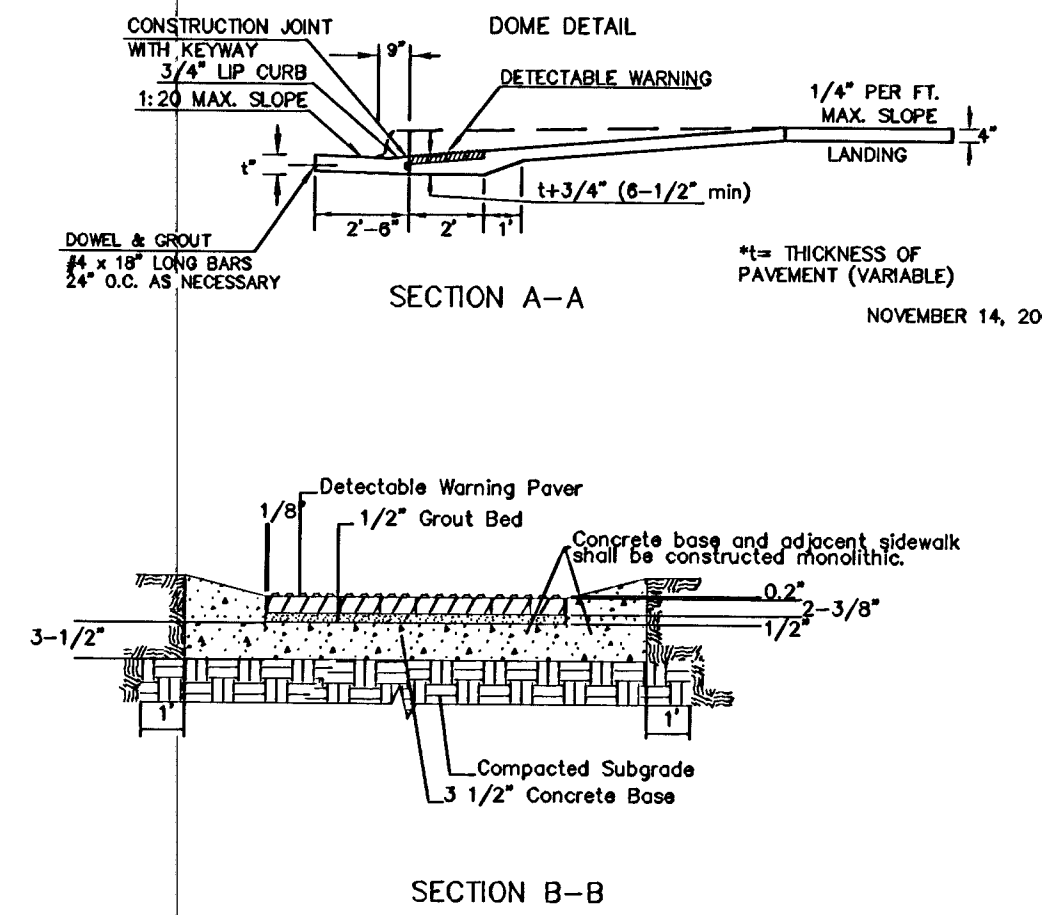
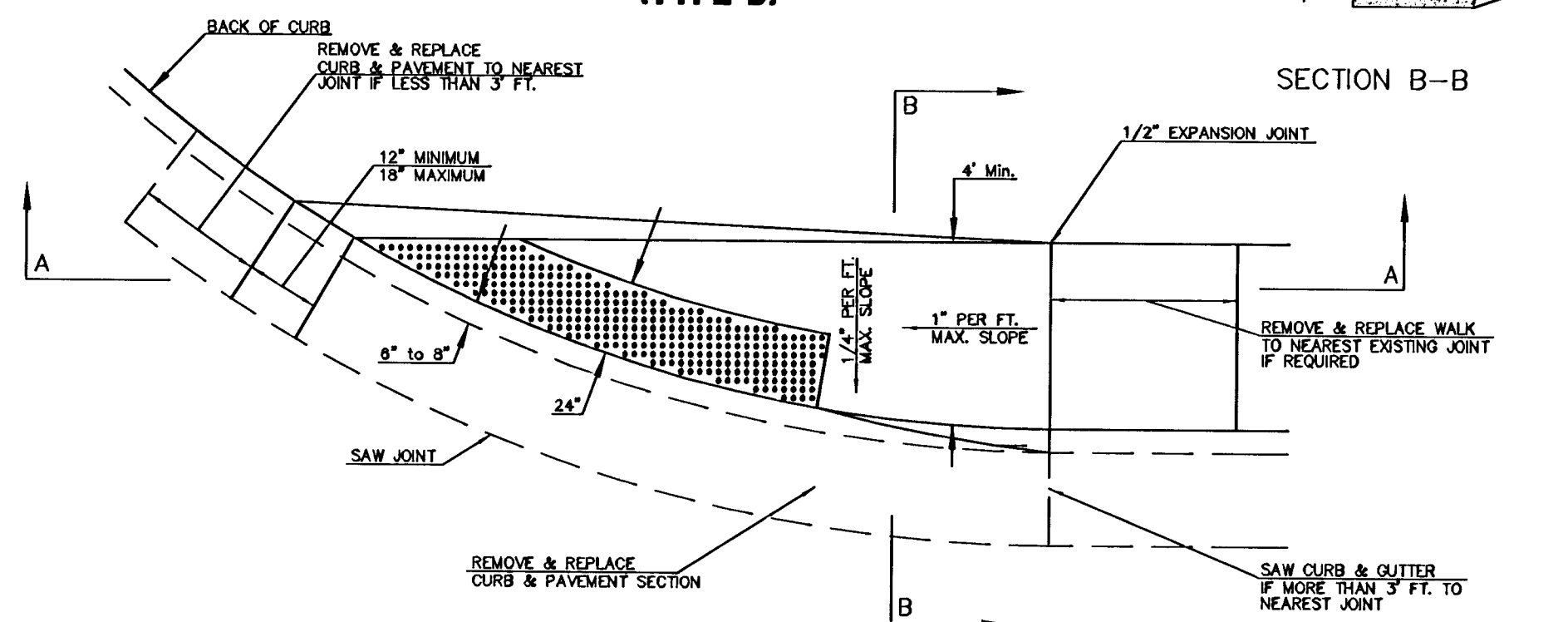
**STANDARD WHEELCHAIR RAMP CONSTRUCTION DETAIL FOR STREET WITH MONOLITHIC CURB ON RADIUS WITH 6\"/>**



**STANDARD WHEELCHAIR RAMP CONSTRUCTION DETAIL FOR STREETS WITH COMBINED CURB & GUTTER WITH ONE FULL SIDEWALK (TYPE D)**

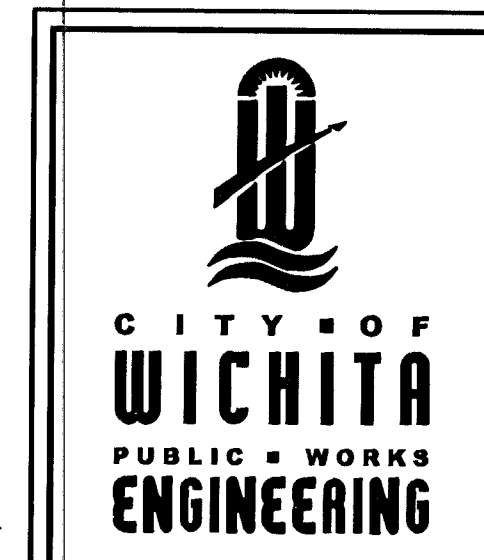


**STANDARD WHEELCHAIR RAMP CONSTRUCTION DETAIL FOR STREETS WITH MONOLITHIC CURB WITH ONE FULL SIDEWALK (TYPE D)**



**TYPICAL SECTION DETECTABLE WARNING PAVER**

NOTE: RAMP TO COMPLY WITH LATEST ADAAG GUIDELINES.  
 PAVEMENT DETECTABLE WARNING PAVERS (OR AN APPROVED EQUAL) SHALL BE USED IN ALL WHEELCHAIR RAMP. THE RED PAVER SHALL BE INSTALLED USING A BASKET WEAVE/PARKET PATTERN. OTHER PATTERNS MAY BE USED WITH APPROVAL OF ENGINEER. SAND FILL JOINTS. ARROW DOMES IN THE DIRECTION OF PEDESTRIAN TRAVEL.



<b>WHEELCHAIR RAMP DETAILS</b>			
CITY ENGINEER			
JAMES L. ARMOUR, P.E.			
PROJECT NUMBER	OCA NUMBER	DATE	
472-84082	765960	06/04	
CITY ENGINEER'S OFFICE		DESIGN	DRAWN
CITY HALL - SEVENTH FLOOR		ABC	DEF
455 NORTH MAIN STREET		SHEET	
WICHITA, KANSAS 67202-1620		5 OF 28	
(316) 268-4501			
(316) 268-4114 FAX			

MKEC REV. 5-18-04  
 REV. 11-03-03

H:\CIVIL\WHEELCHAIR\WHEELCHAIR.PDF 11/28/2005 4:48:40 PM CST