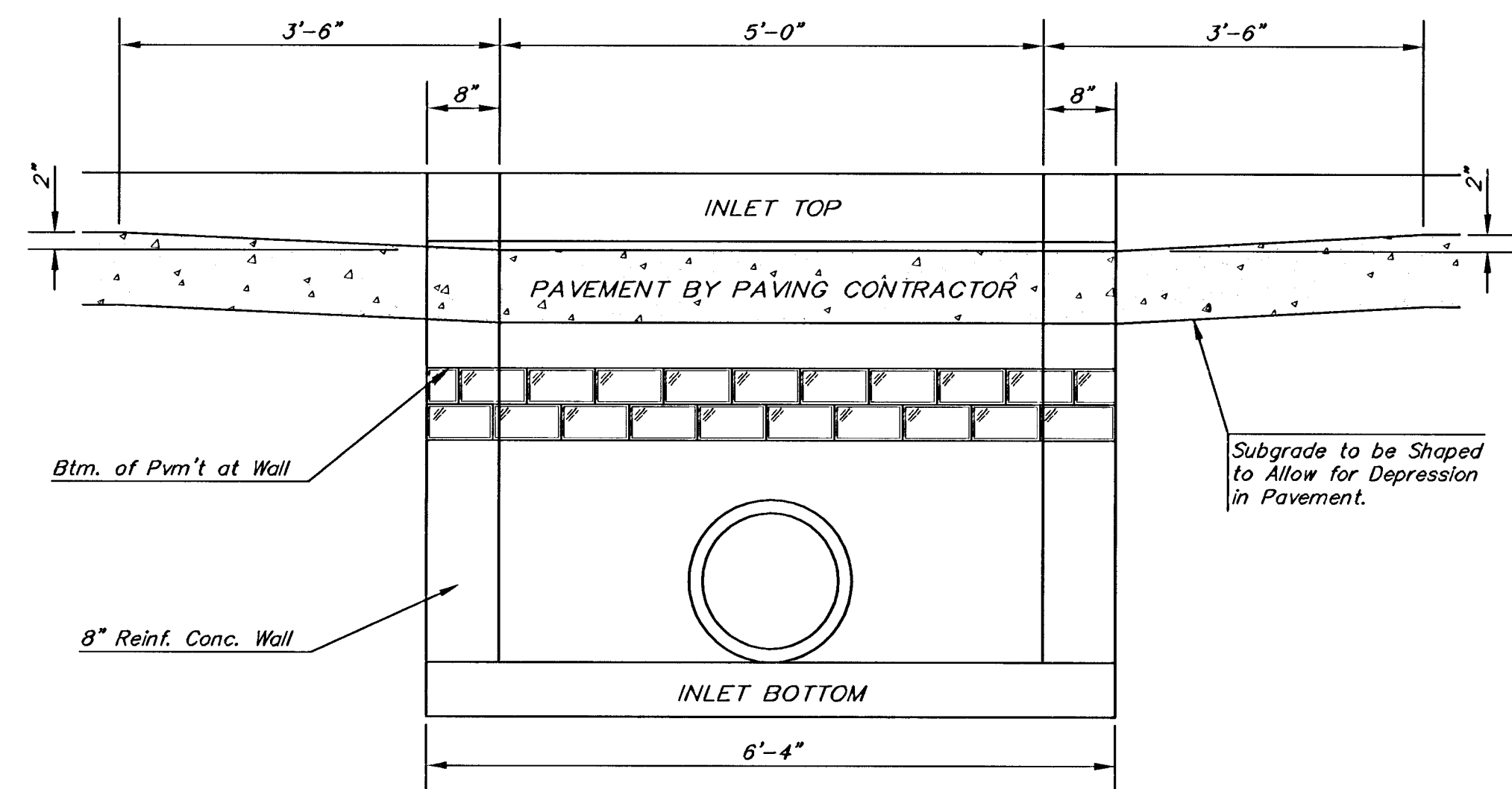
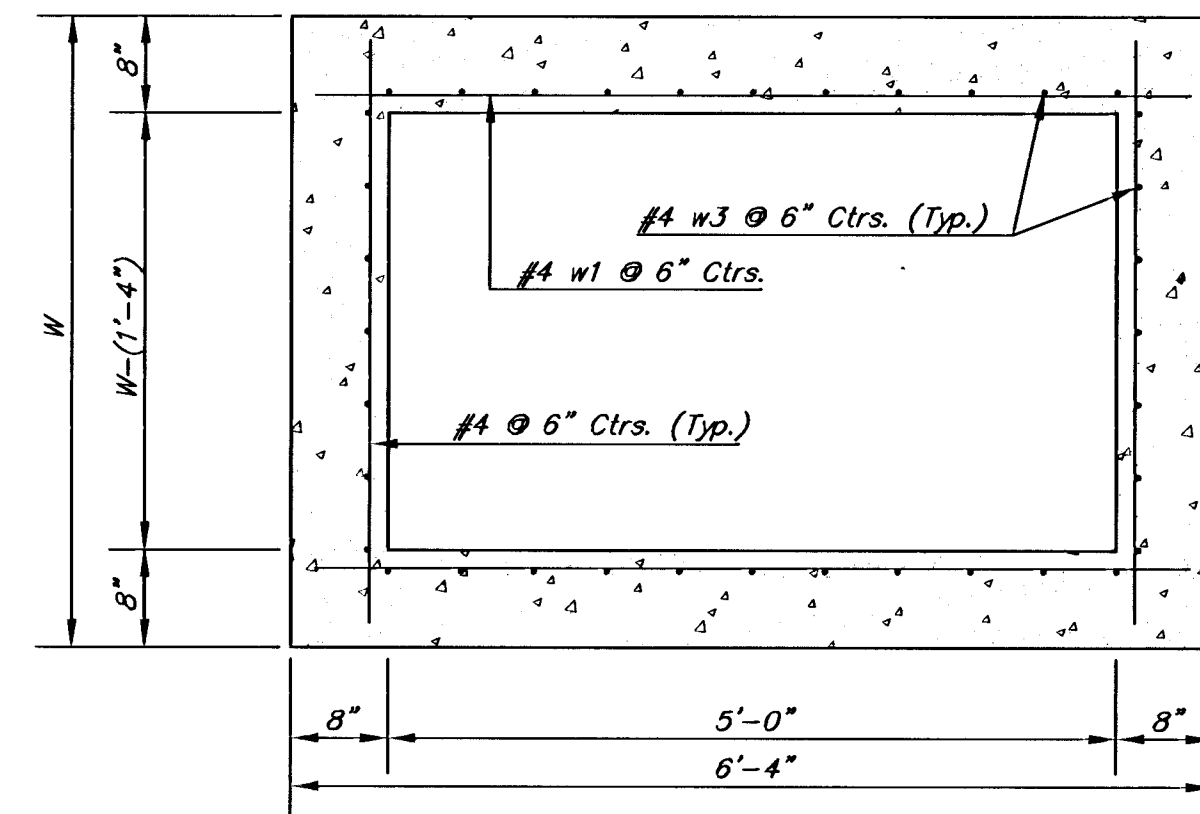


NOTE:
Expansion Joint Only in Curb Area With Concrete Pavement.

PLAN



SECTION E-E



SECTION D-D

NOTE:
Inlet Top Reinforcing shall be Spaced on 6\"/>

NOTE:
Concrete Tops to be installed on thin mortar cushion to insure full support along brick walls. Concrete tops may be cast in place or precast. Concrete used for inlet construction shall be concrete pavement mix with air entrainment.

NOTE: Contractor shall have the option of constructing 8\"/>

Additional curb and gutter construction necessary to connect set-back inlet to pavement will be paid for at the unit price bid for each inlet hookup.

Inlet invert shall be shaped with 8 sack sand mix concrete to create flow channels and to increase hydraulic efficiency such that the inlet will be self-cleaning between all inlet and/or outlet pipes.

The ends of all pipes installed in inlets shall be cut off flush with the inside face of the inlet wall

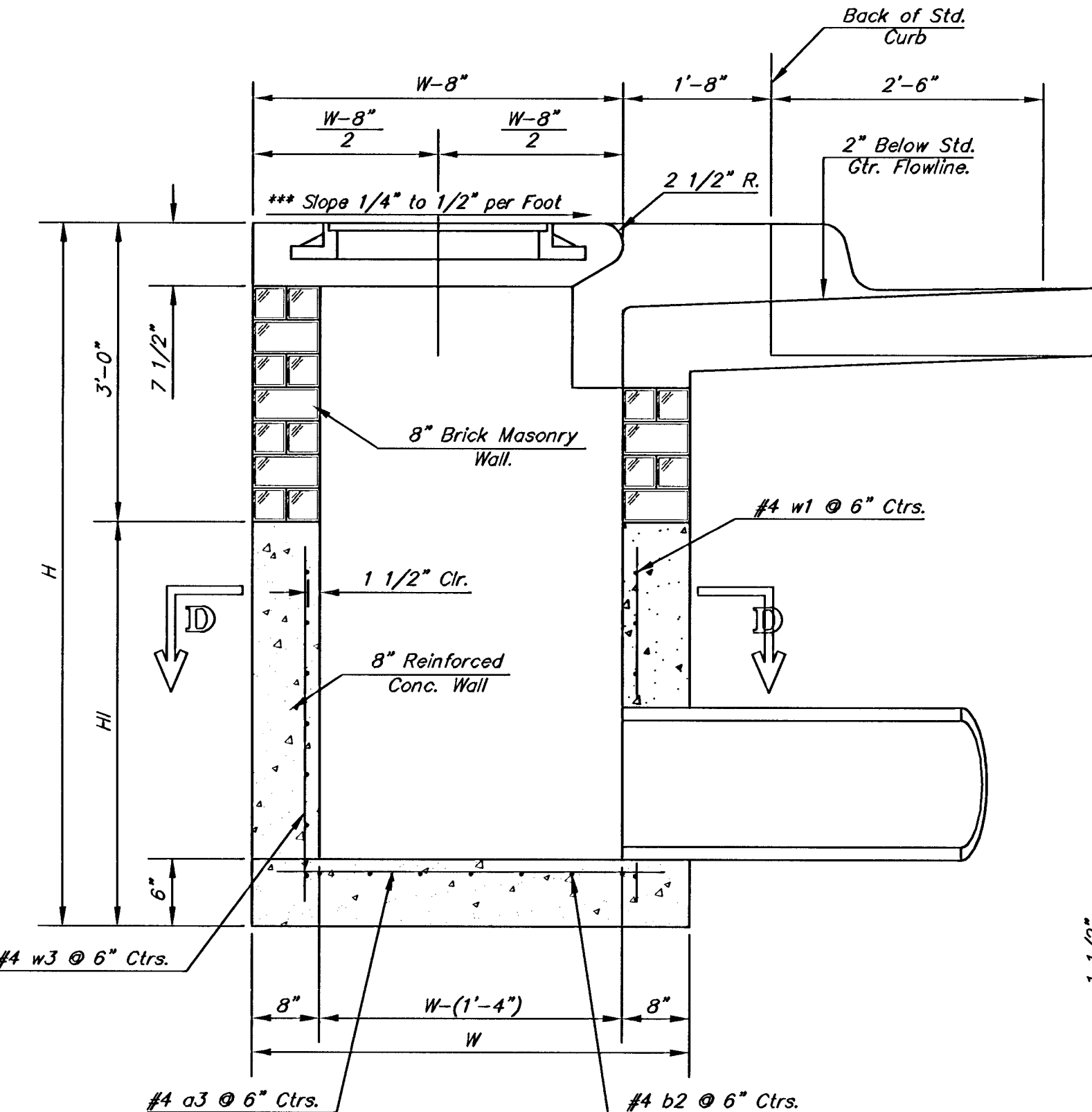
PRECAST SLAB AND FLOOR REINFORCING											
MARK	SIZE	W = 4'-4"		W = 5'-4"		W = 6'-4"		W = 7'-4"		W = 8'-4"	
		NO.	LENGTH	NO.	LENGTH	NO.	LENGTH	NO.	LENGTH	NO.	LENGTH
* a1	#4	6	6'-7"	6	8'-7"	6	10'-7"	6	12'-7"	6	14'-7"
a2	#4	4	6'-0"	4	8'-0"	4	10'-0"	4	12'-0"	4	14'-0"
a3	#4	13	4'-1"	13	5'-1"	13	6'-1"	13	7'-1"	13	8'-1"
b1	#4	1	4'-9"	1	4'-9"	1	4'-9"	1	4'-9"	1	4'-9"
* b2	#4	23	6'-1"	29	6'-1"	35	6'-1"	41	6'-1"	47	6'-1"
x1	#4	8	3'-10"	8	4'-2"	8	4'-6"	8	4'-10"	8	5'-2"

WALL REINFORCING											
MARK	SIZE	W = 4'-4"		W = 5'-4"		W = 6'-4"		W = 7'-4"		W = 8'-4"	
		NO.	LENGTH	NO.	LENGTH	NO.	LENGTH	NO.	LENGTH	NO.	LENGTH
w1	#4	①	6'-1"	①	6'-1"	①	6'-1"	①	6'-1"	①	6'-1"
w2	#4	①	4'-1"	①	5'-1"	①	6'-1"	①	7'-1"	①	8'-1"
w3	#4	32	②	36	②	40	②	44	②	48	②

* Field Band or Cut Reinforcing as Required for Clearance.

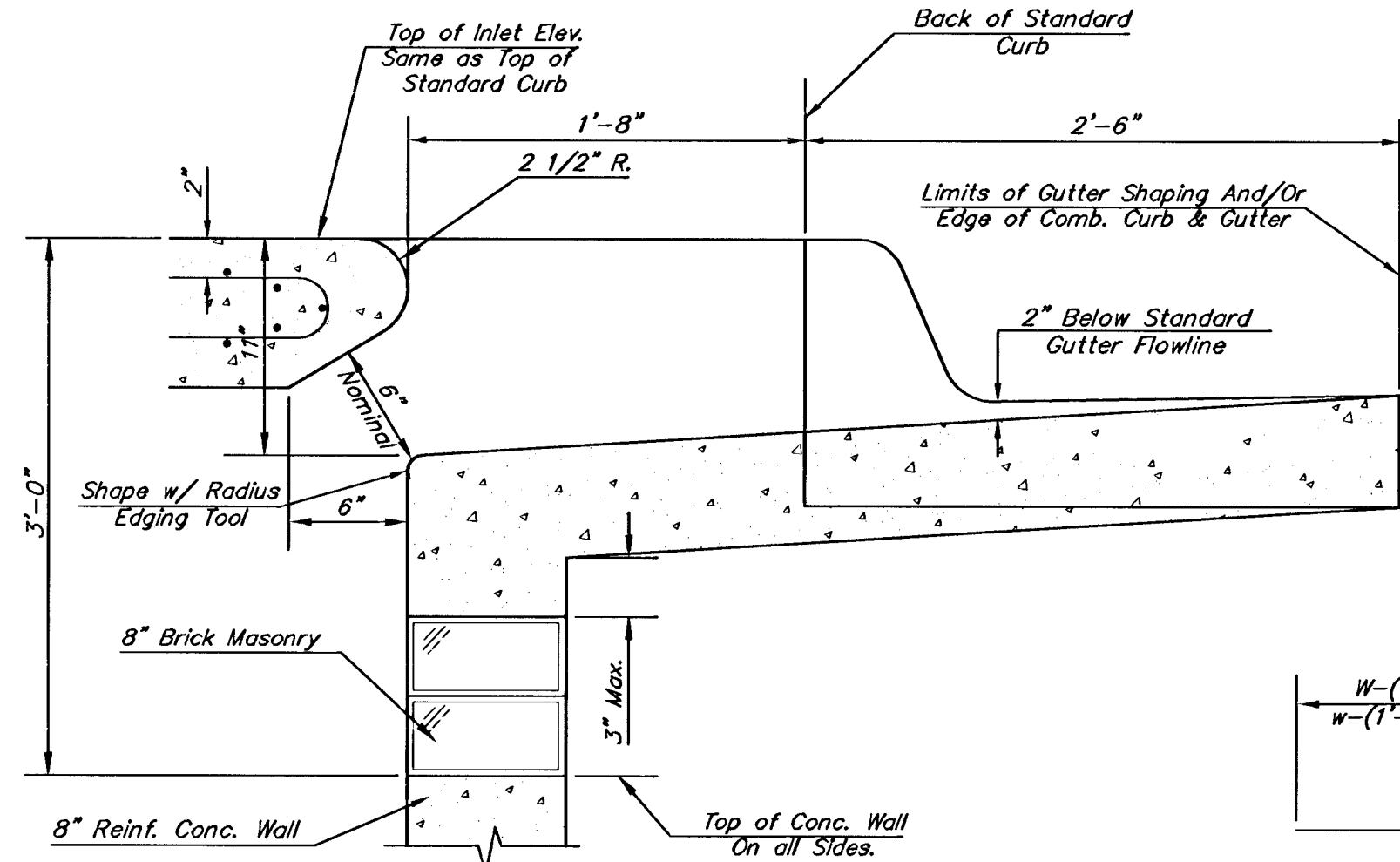
① 4 (H - 12") (H - 21") Rounded down to nearest 0.5"

② H - 3"

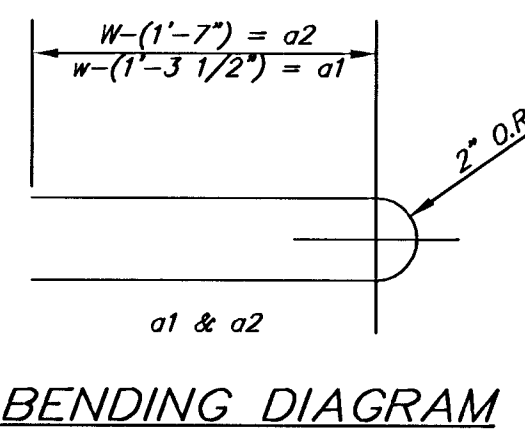


SECTION A-A

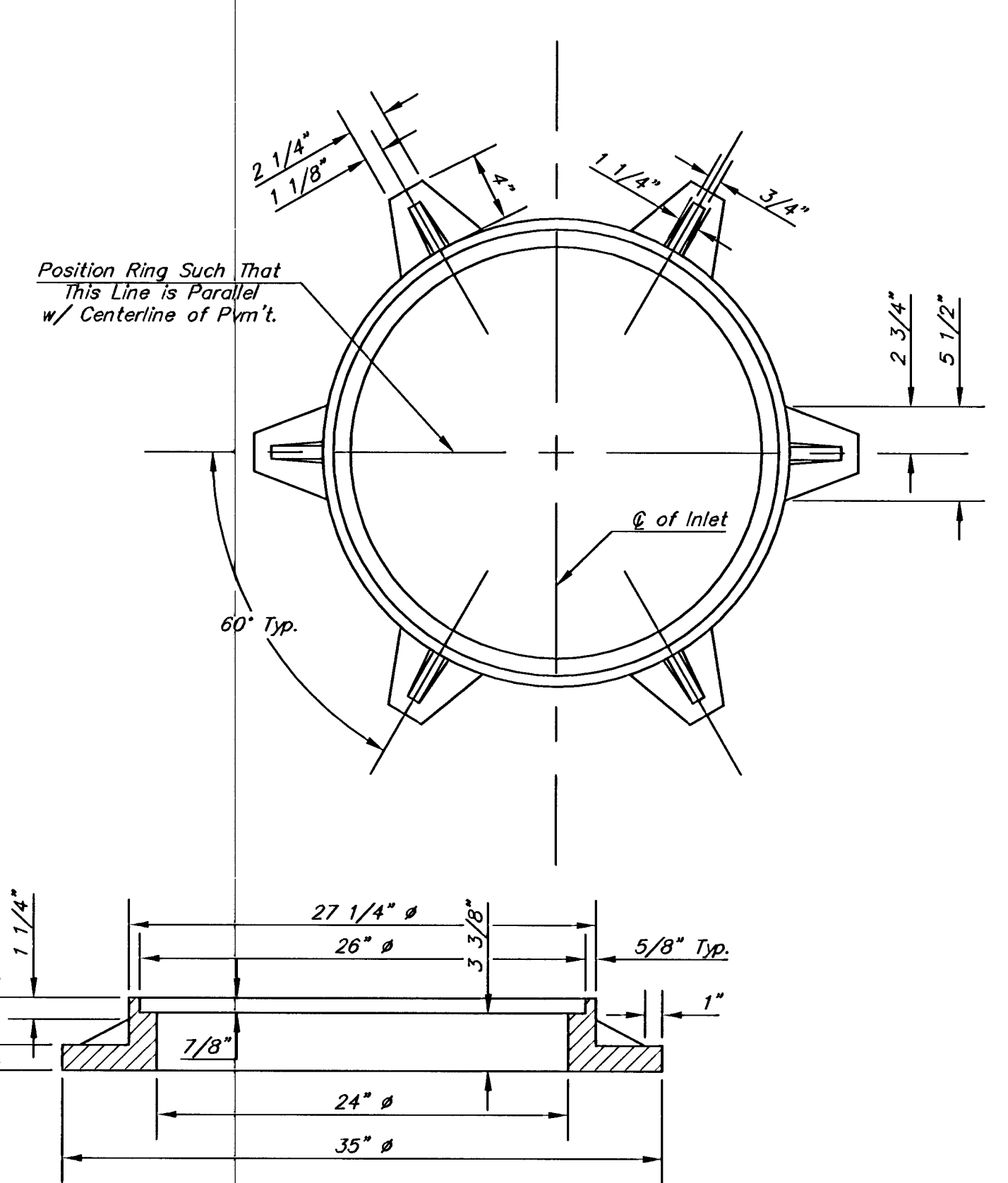
***NOTE: Slope of Inlet tops to Match Sidewalk or Parking Slopes within Limits Indicated.



SECTION B-B

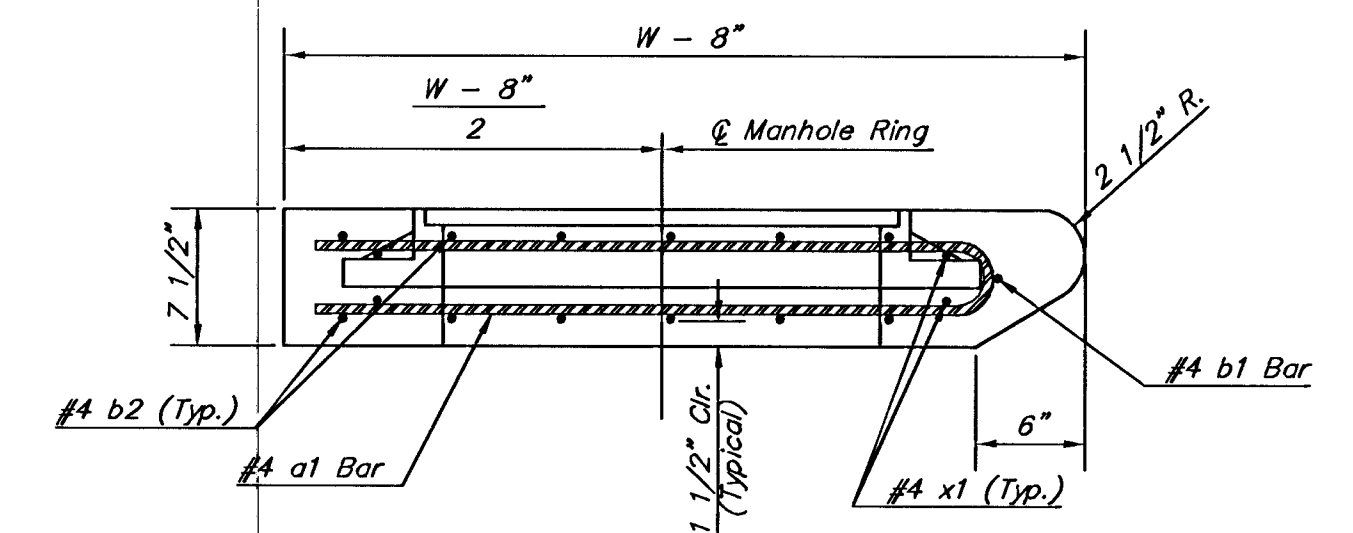


BENDING DIAGRAM



MANHOLE RING AND COVER

Weight = 180 Lbs.
*See City of Wichita Standard Manhole Ring and Cover Detail Sheet for Cover Details to Be Used With Inlet Frame.



SECTION A-A

STANDARD CURB INLET PRECAST TOPS				
W	PRE-CAST TOP SIZE	PIPE SIZE	CU. YD. CONC.	
4'-4"	3'-8" x 6'-4" x 7 1/2"	21" & SMALLER	0.38±	
5'-4"	4'-8" x 6'-4" x 7 1/2"	24" & 30"	0.51±	
6'-4"	5'-8" x 6'-4" x 7 1/2"	36" & 42"	0.64±	
7'-4"	6'-8" x 6'-4" x 7 1/2"	48" & 54"	0.77±	
8'-4"	7'-8" x 6'-4" x 7 1/2"	60" & 66"	0.90±	

THE CITY OF WICHITA

 CITY ENGINEER'S OFFICE
 CITY HALL - SEVENTH FLOOR
 408 NORTH MAIN STREET
 WICHITA, KANSAS 67202
 (316) 258-2501
 (316) 258-4114 FAX

**STANDARD TYPE 1-A
CURB INLET**
OPENING = 6" x 5'-0"

JIM ARMOUR, P.E. - CITY ENGINEER

PROJECT NUMBER	INDEX CODE
472-84082	765960
DATE	SHEET 12 OF 28
FEB 03	