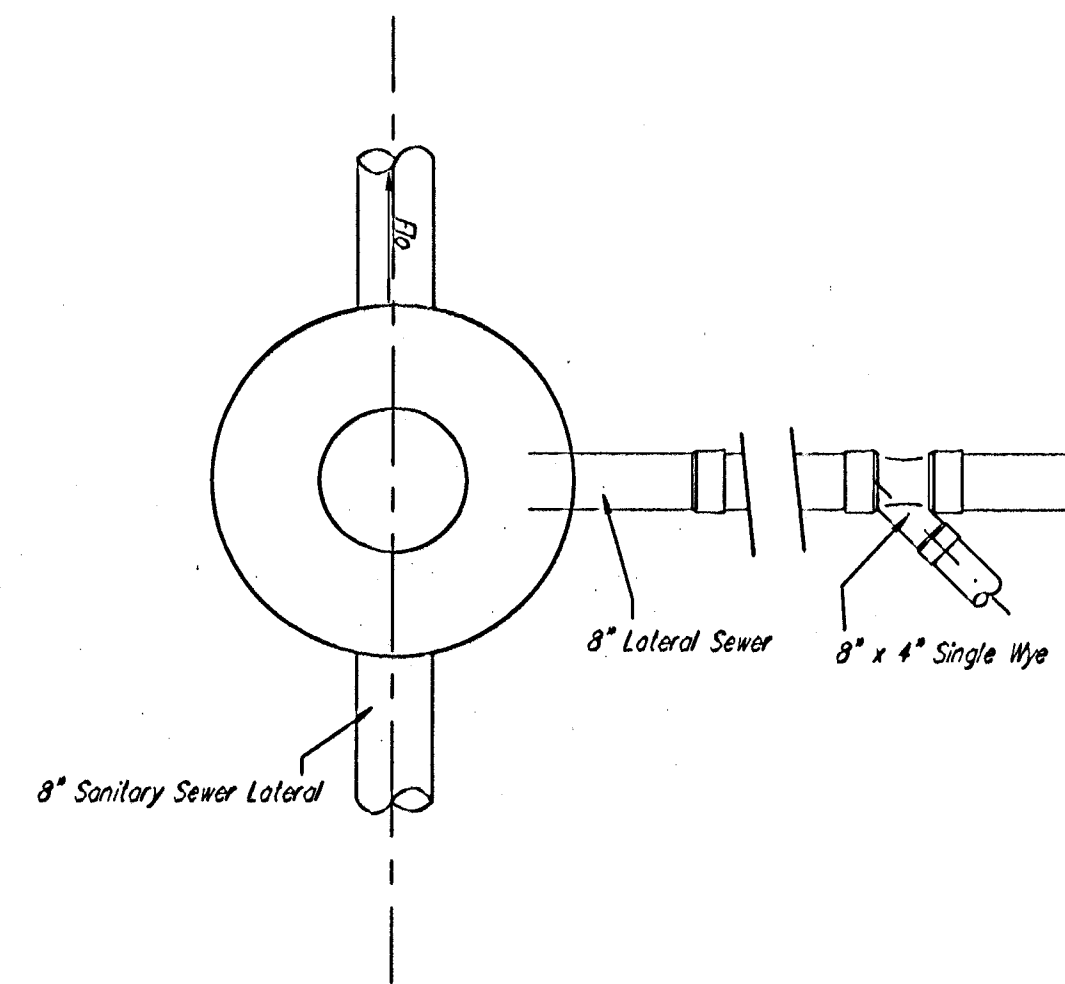
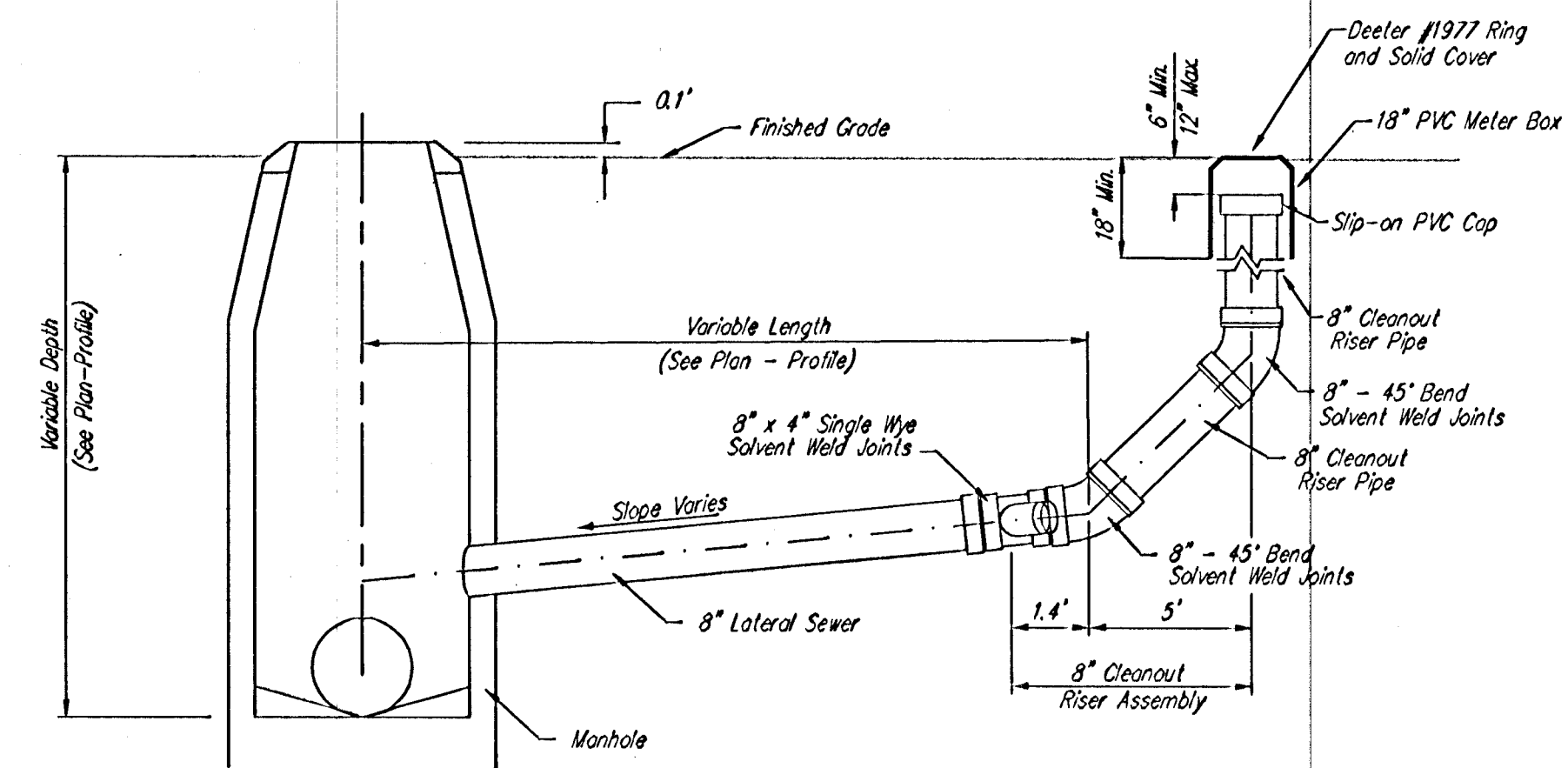


8" CLEANOUT RISER ASSEMBLY DETAIL
W/ WYE CONNECTION

* 4" Branch (each side) To Serve as 4" Stub. Temporary Plug Until Service Connection is Required. Single Wye to be Used Where Indicated on Plan.

** 8" Lateral to be Air-Tested up to the Top of PVC Pipe, per Standard Specifications.



8" CLEANOUT RISER ASSEMBLY DETAIL
W/ MANHOLE CONNECTION

| | | |
|--|---------------------------------|--------------|
| | CITY OF WICHITA, KANSAS | |
| | 8" CLEANOUT RISER DETAIL | |
| <small>Baughman Company, P.A. 315 1/2 St. W. Wichita, KS 67211 P 316 262 7271 F 316 261 0149 ENGINEERING SURVEYING PLANNING LANDSCAPE ARCHITECTURE</small> | | |
| PROJECT NUMBER 468-84039 | DESIGN STAFF | DRAWN STAFF |
| REVISIONS | APPROVED | DATE 2/05 |
| | SCALE NONE | SHEET |
| | 10 OF 17 | |
| <small>L:\Sewer\Cor8.dwg</small> | | |