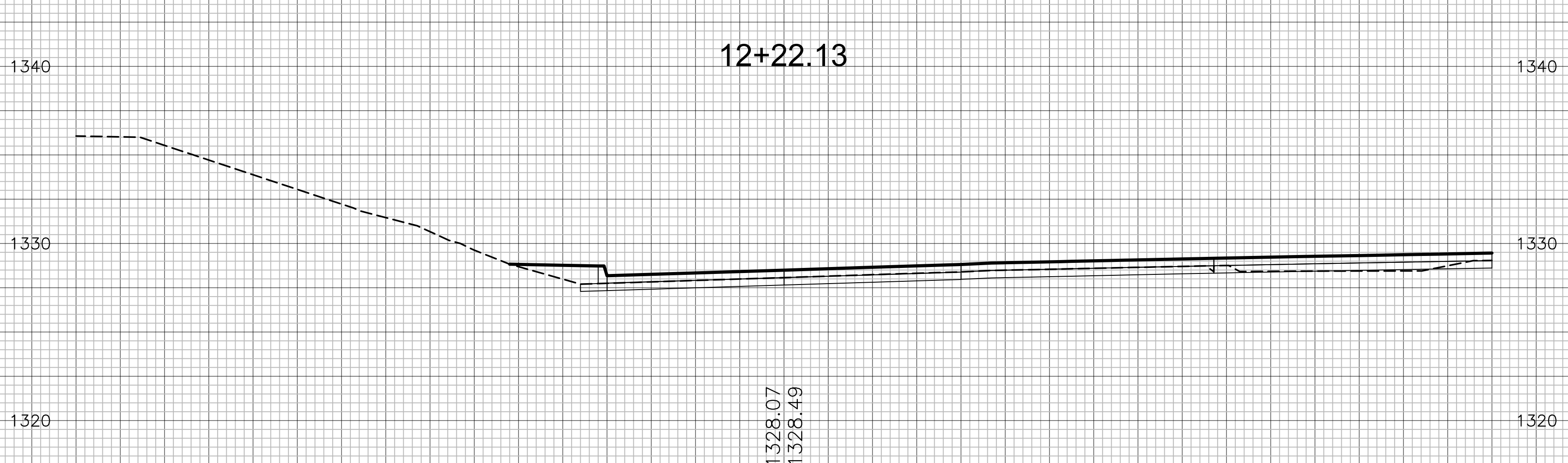
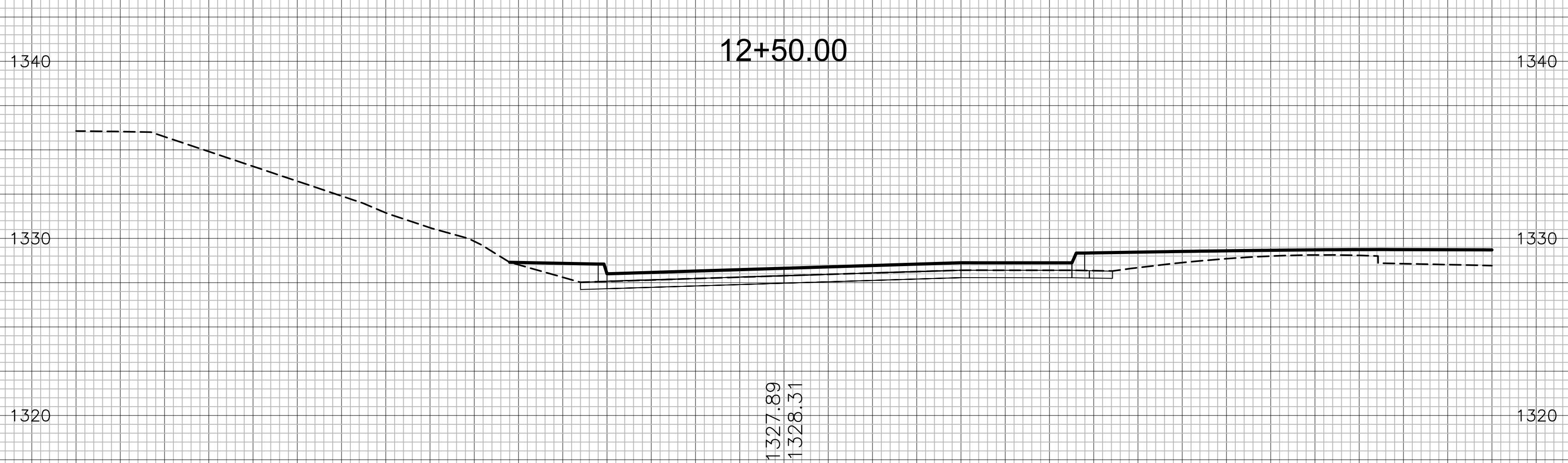
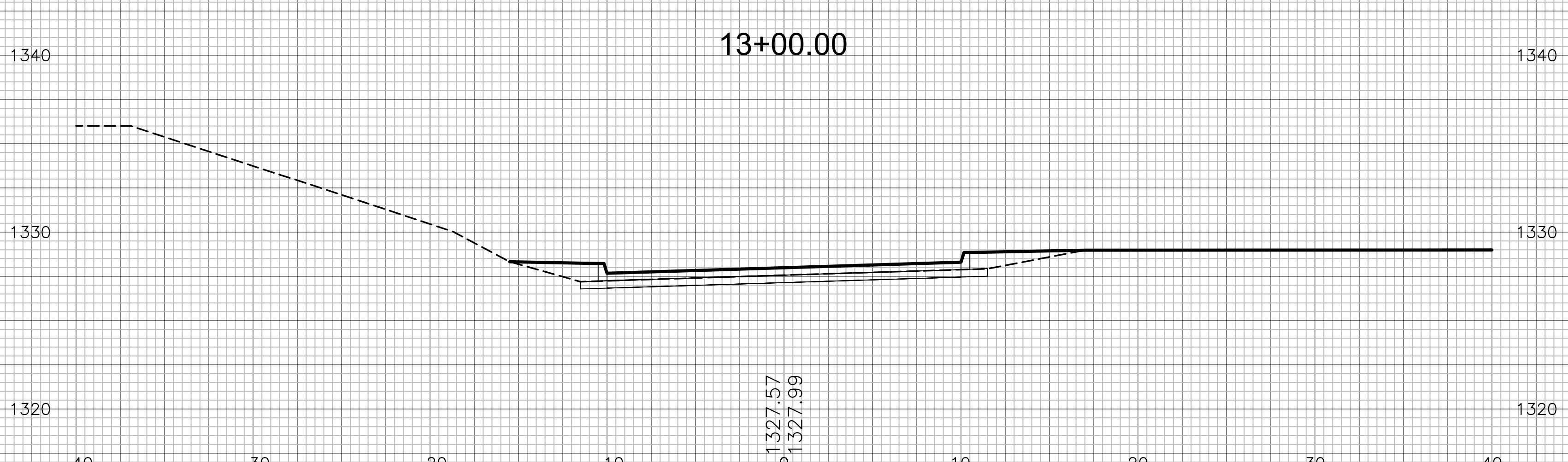
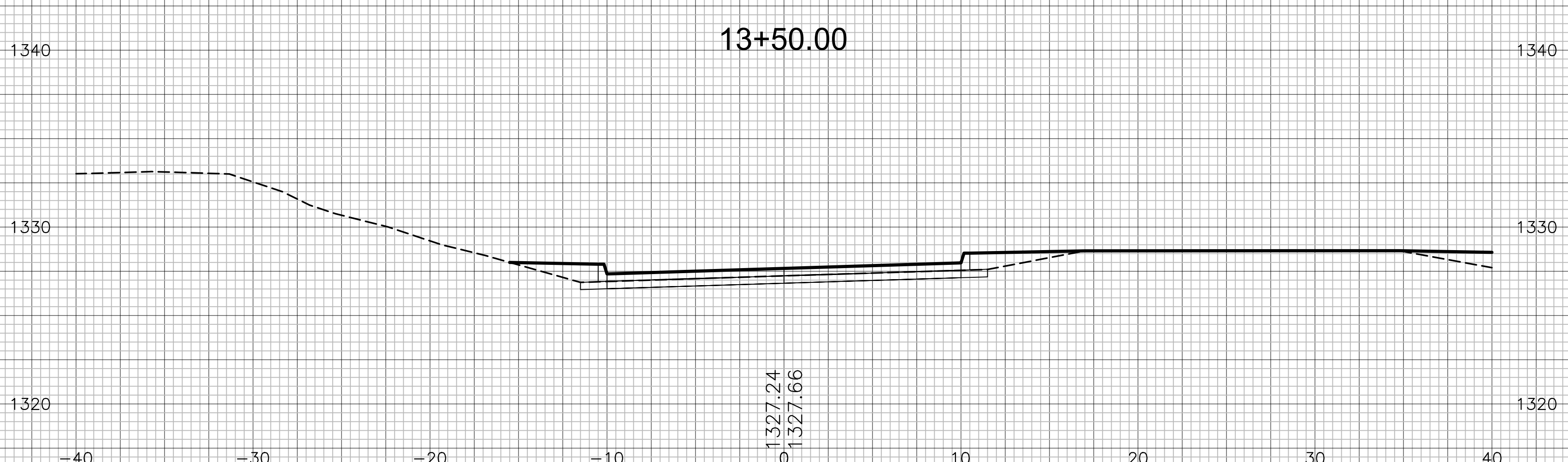
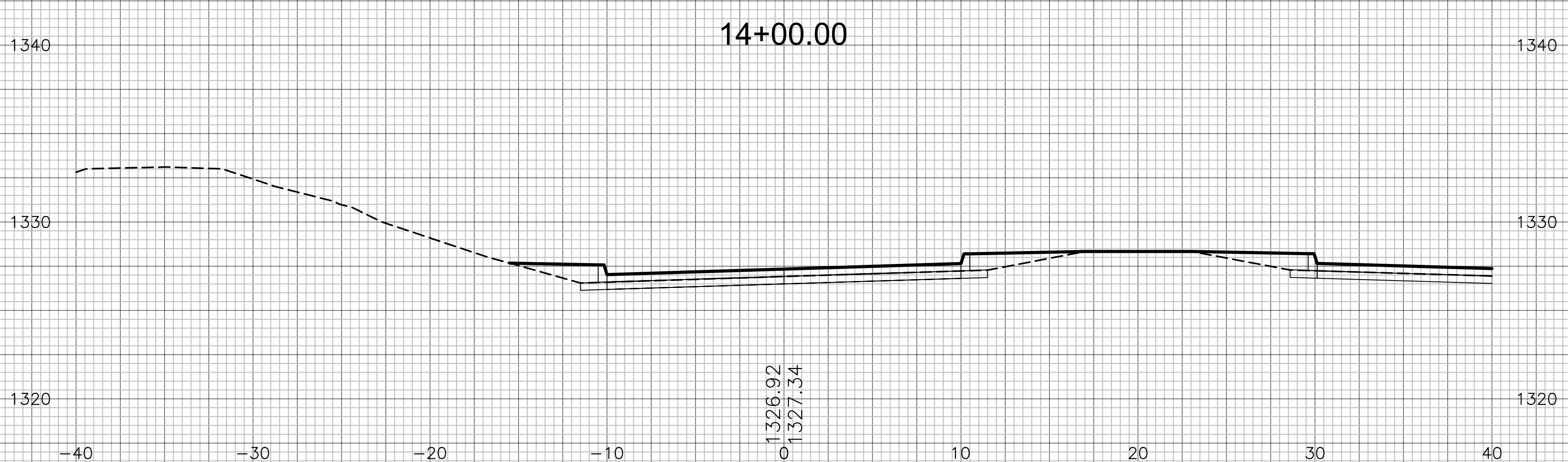
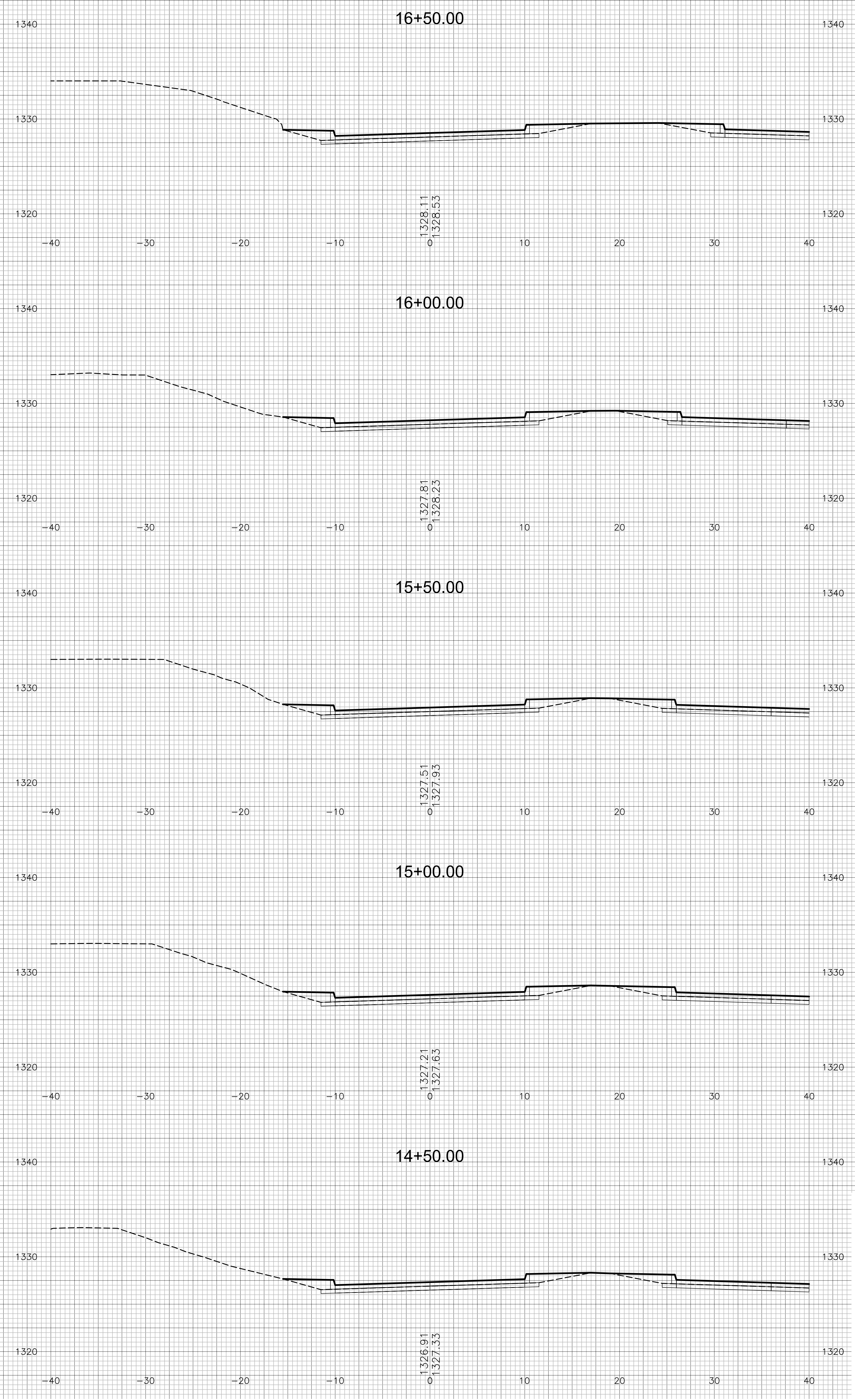
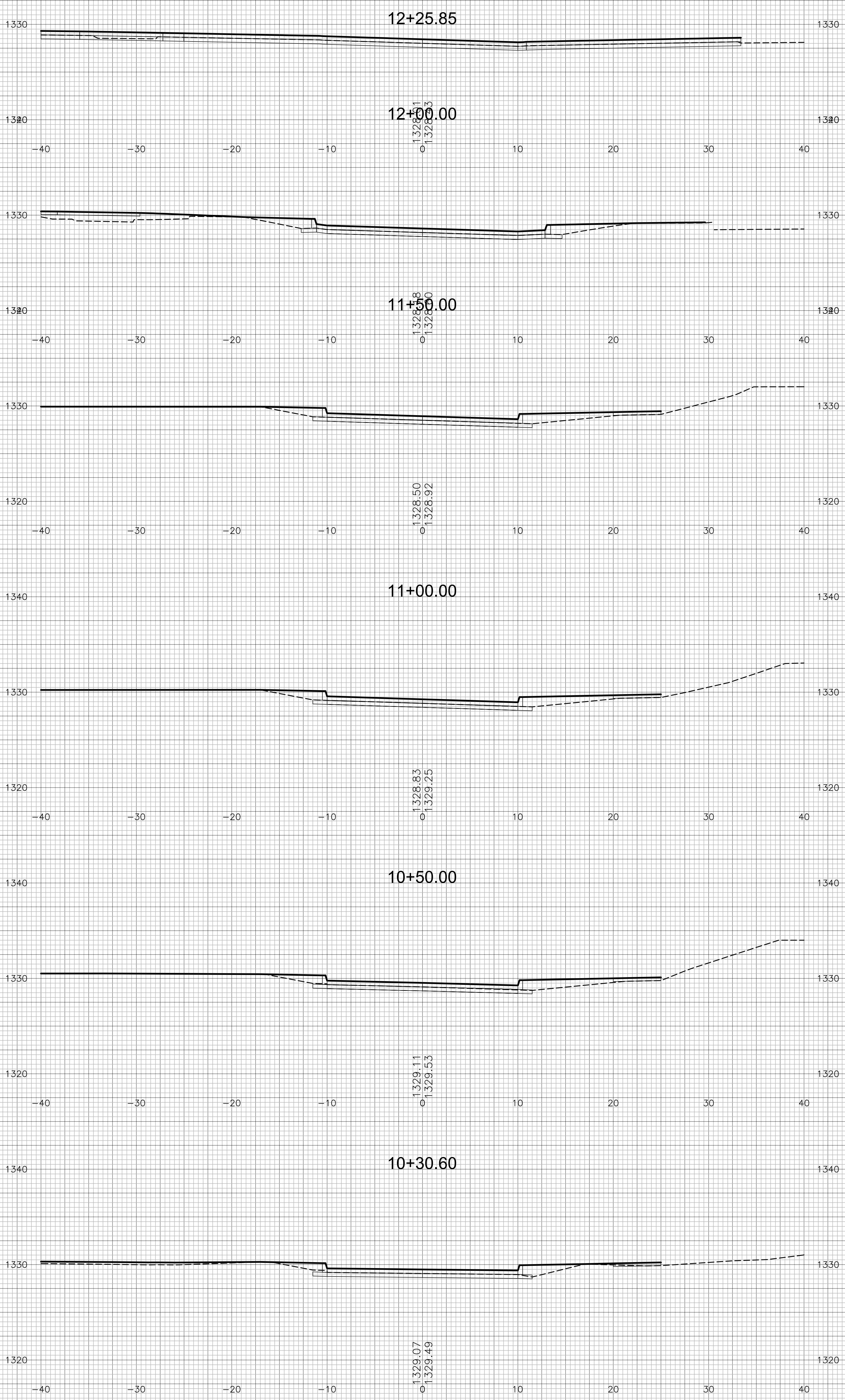


SHEARWATER ST. (ENTRY NORTH)





SHEARWATER ST. (ENTRY NORTH)

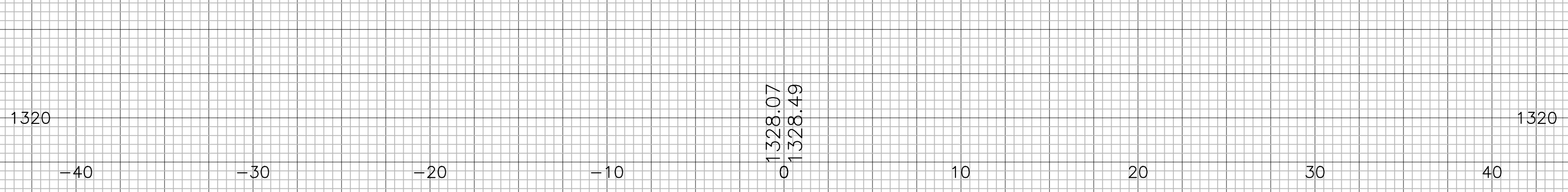
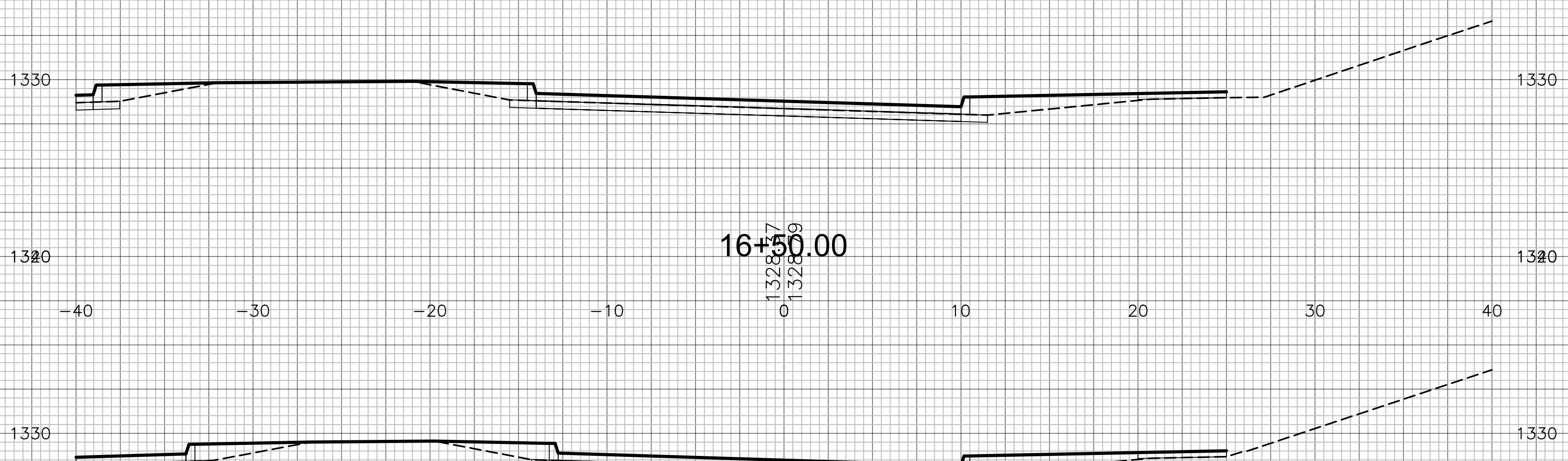
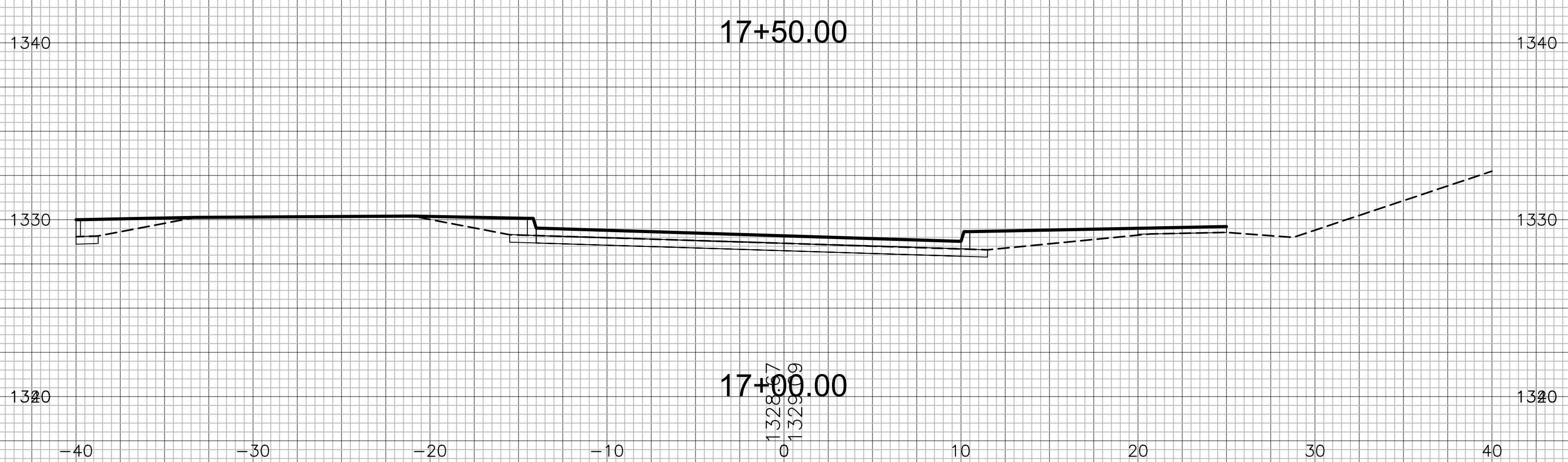
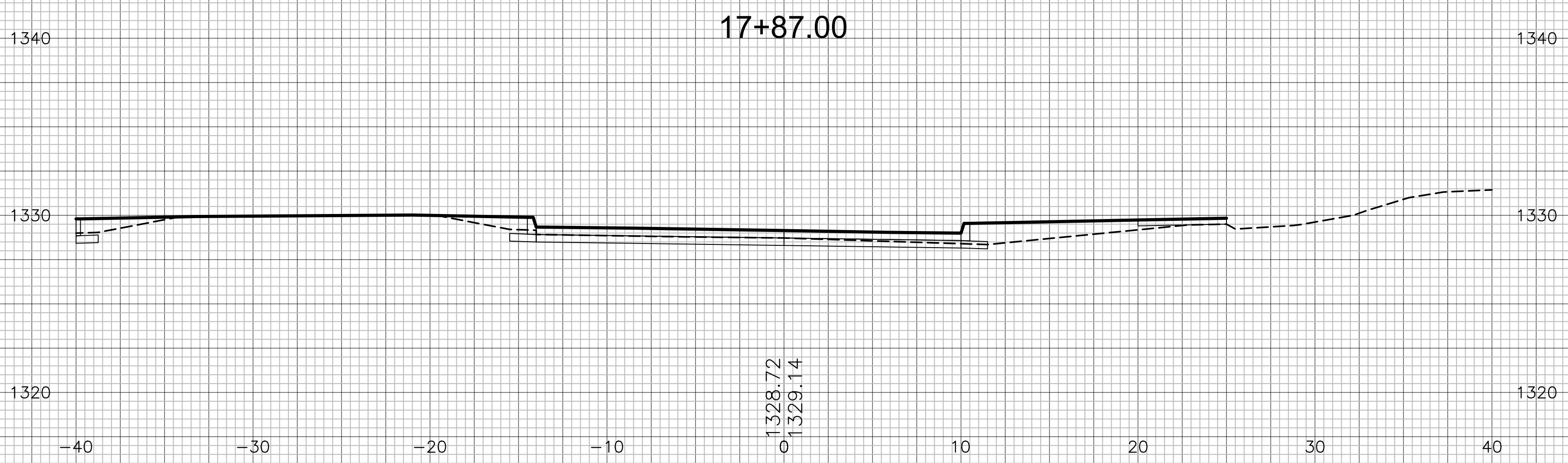


COURTYARDS AT THE MOORINGS
 SHEARWATER ST. ENTRY S
 CROSS SECTIONS

SHEARWATER ST. (ENTRY SOUTH)

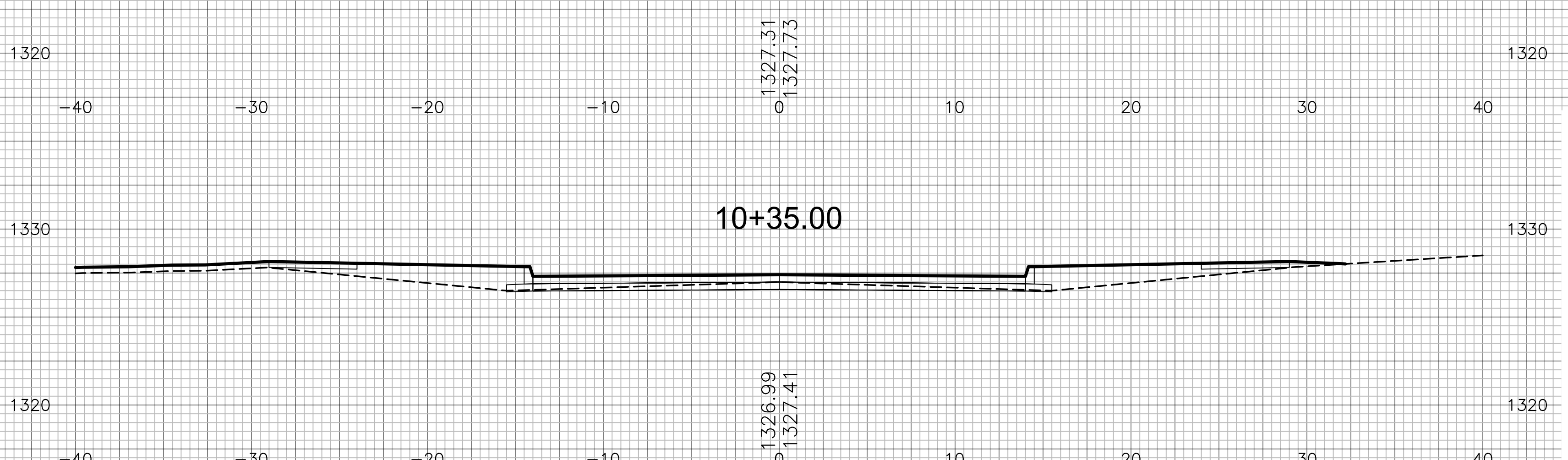
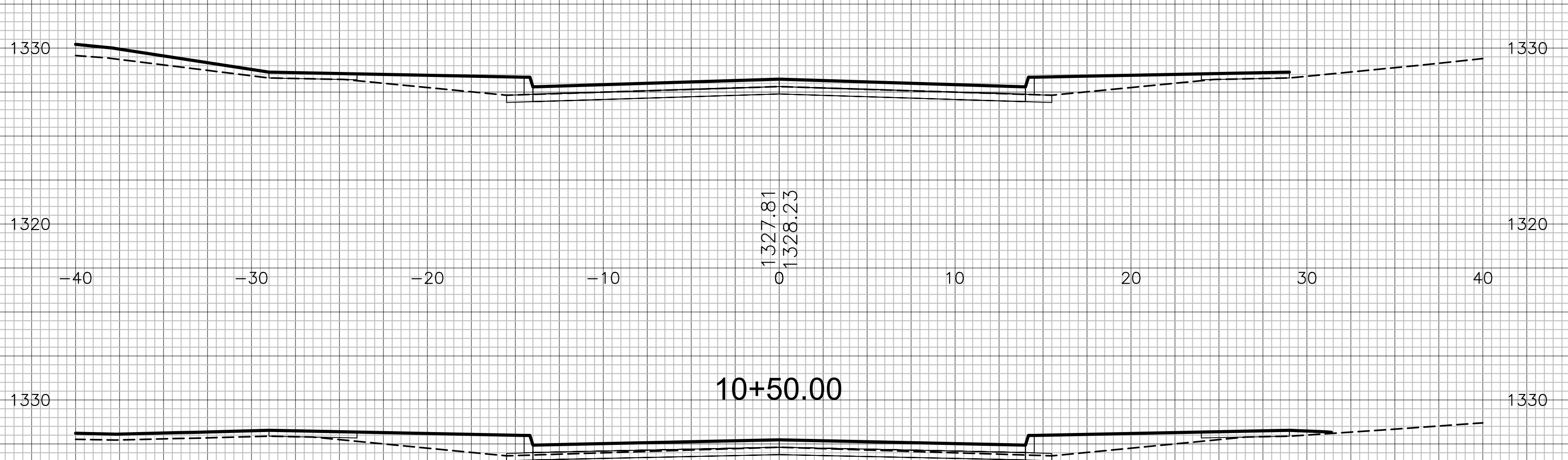
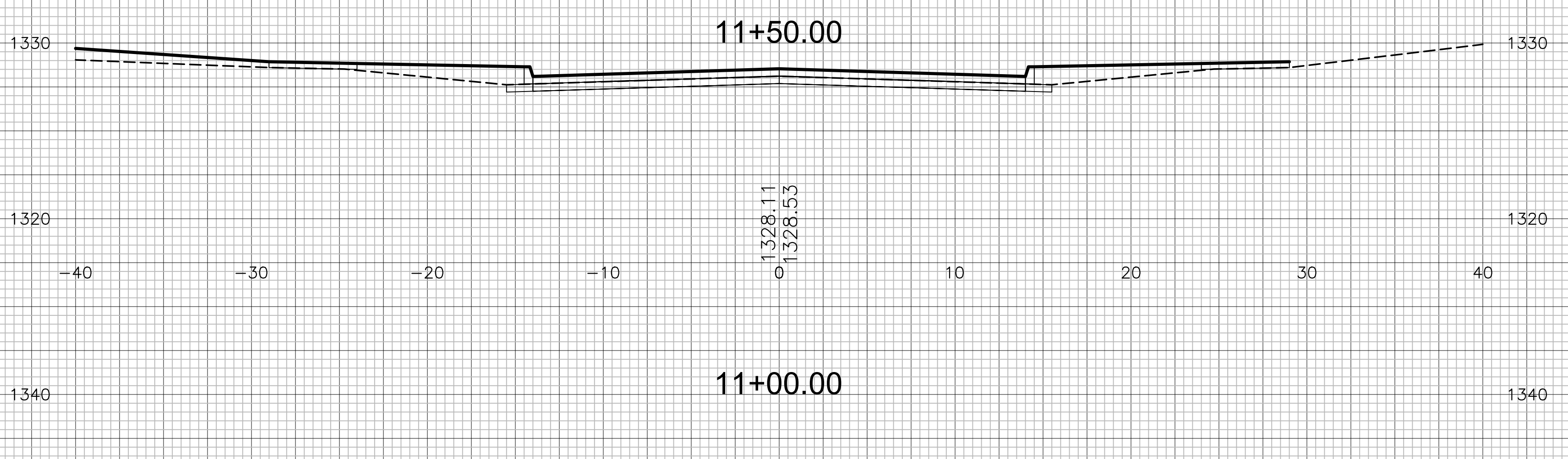
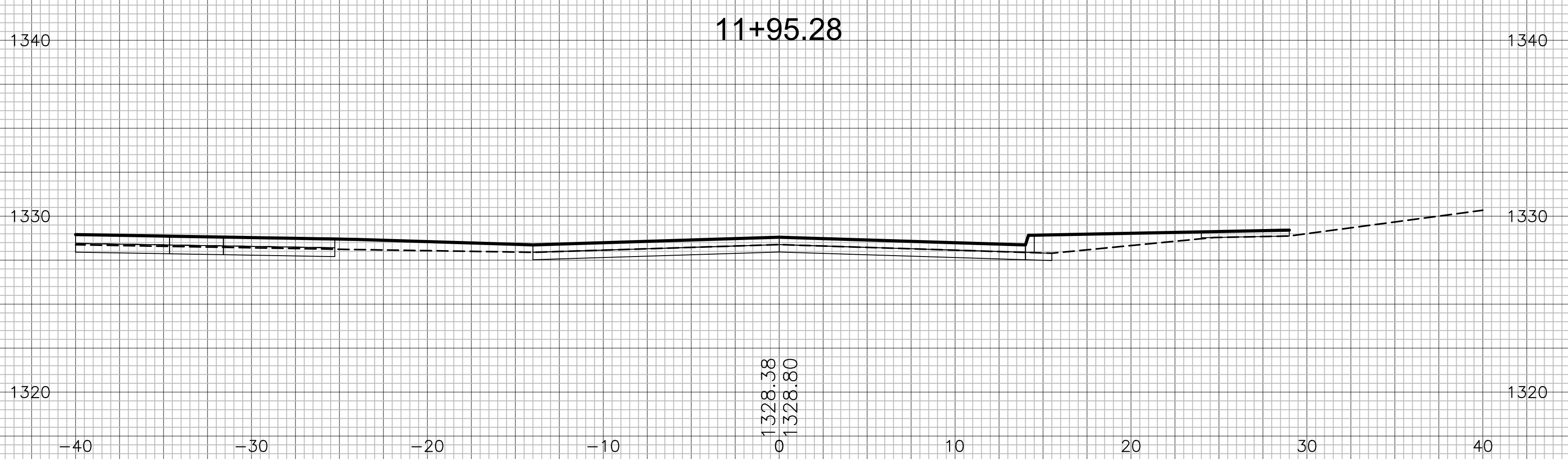
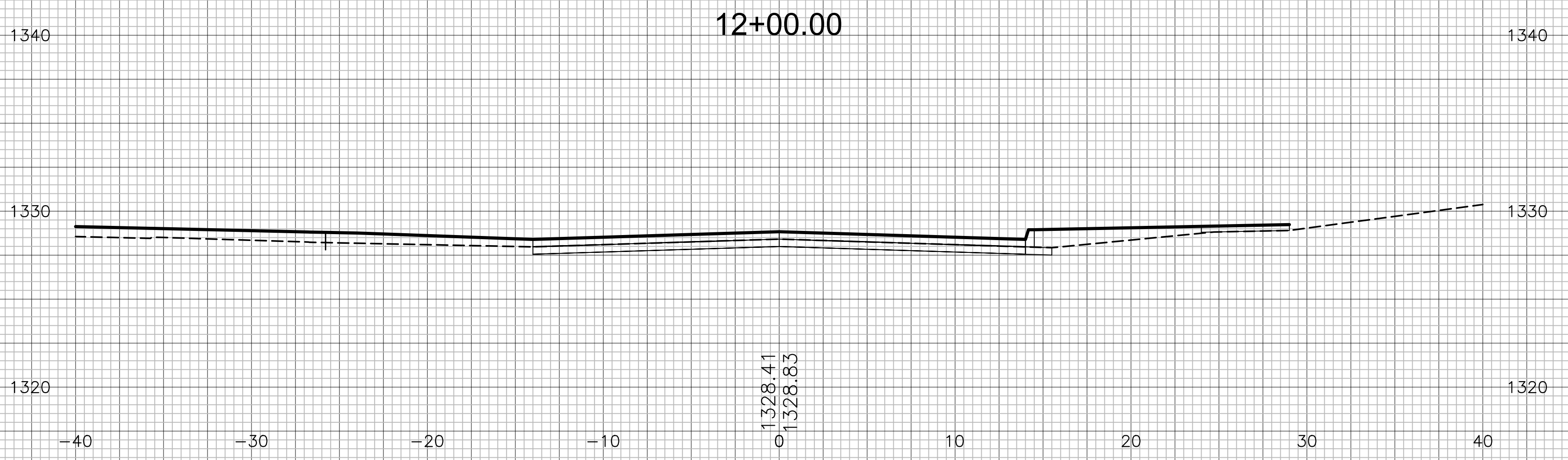
32
 47

21427-05-5800



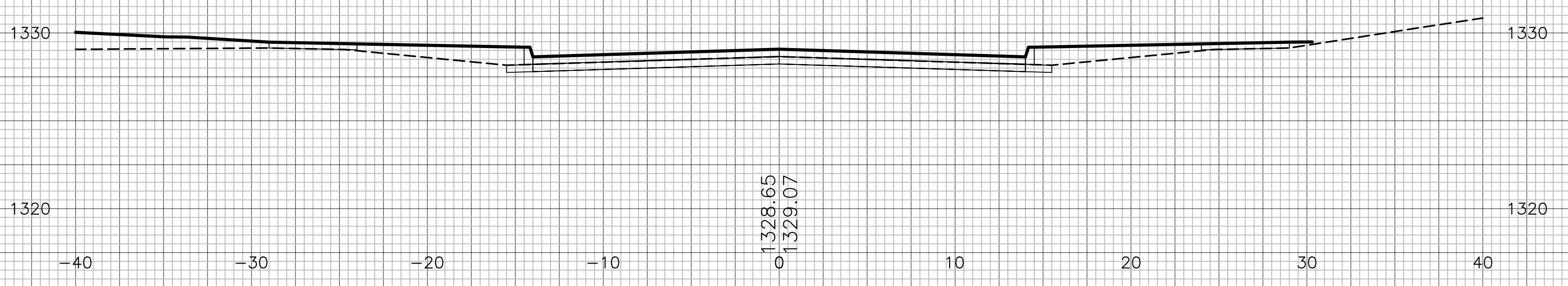
COURTYARDS AT THE MOORINGS
SHEARWATER ST. ENTRY S (CONT) (2)
CROSS SECTIONS

SHEARWATER ST. (ENTRY SOUTH)

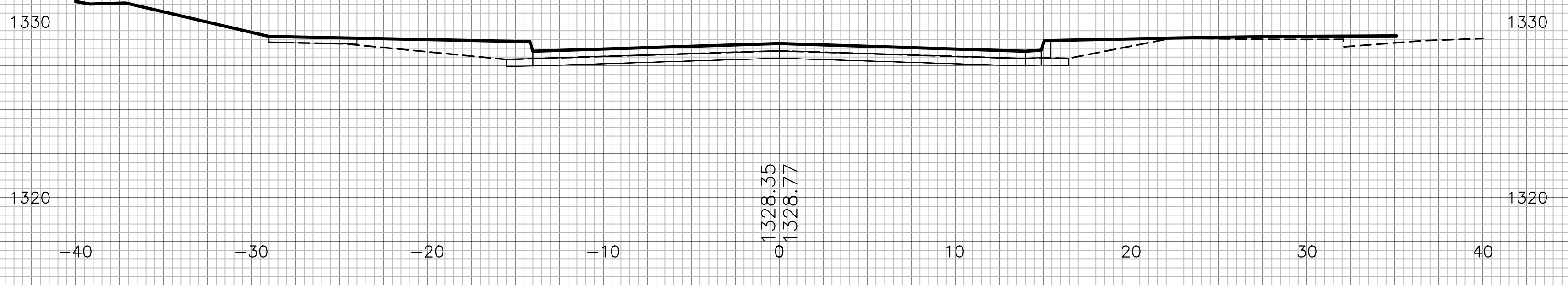


WHIMBREL ST.

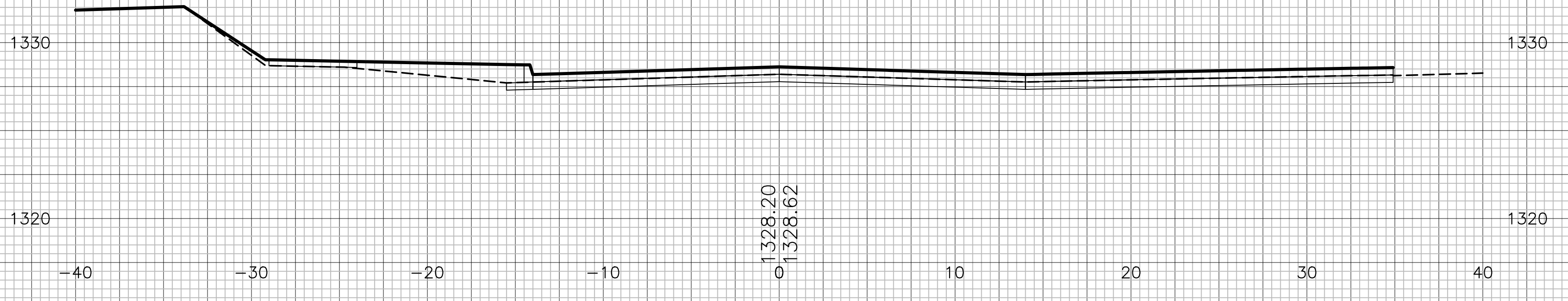
1340 14+00.00 1340



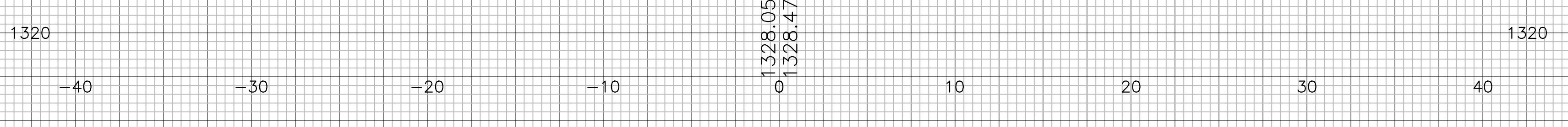
1340 13+50.00 1340



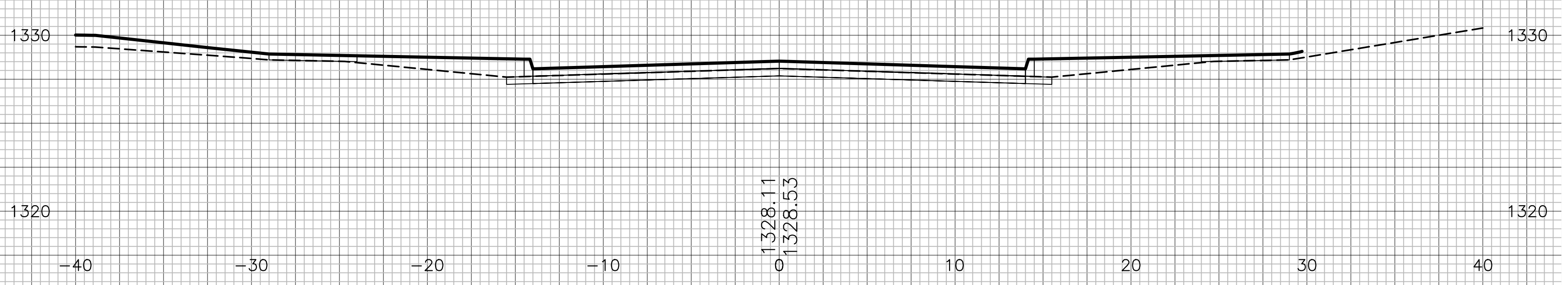
1340 13+24.49 1340



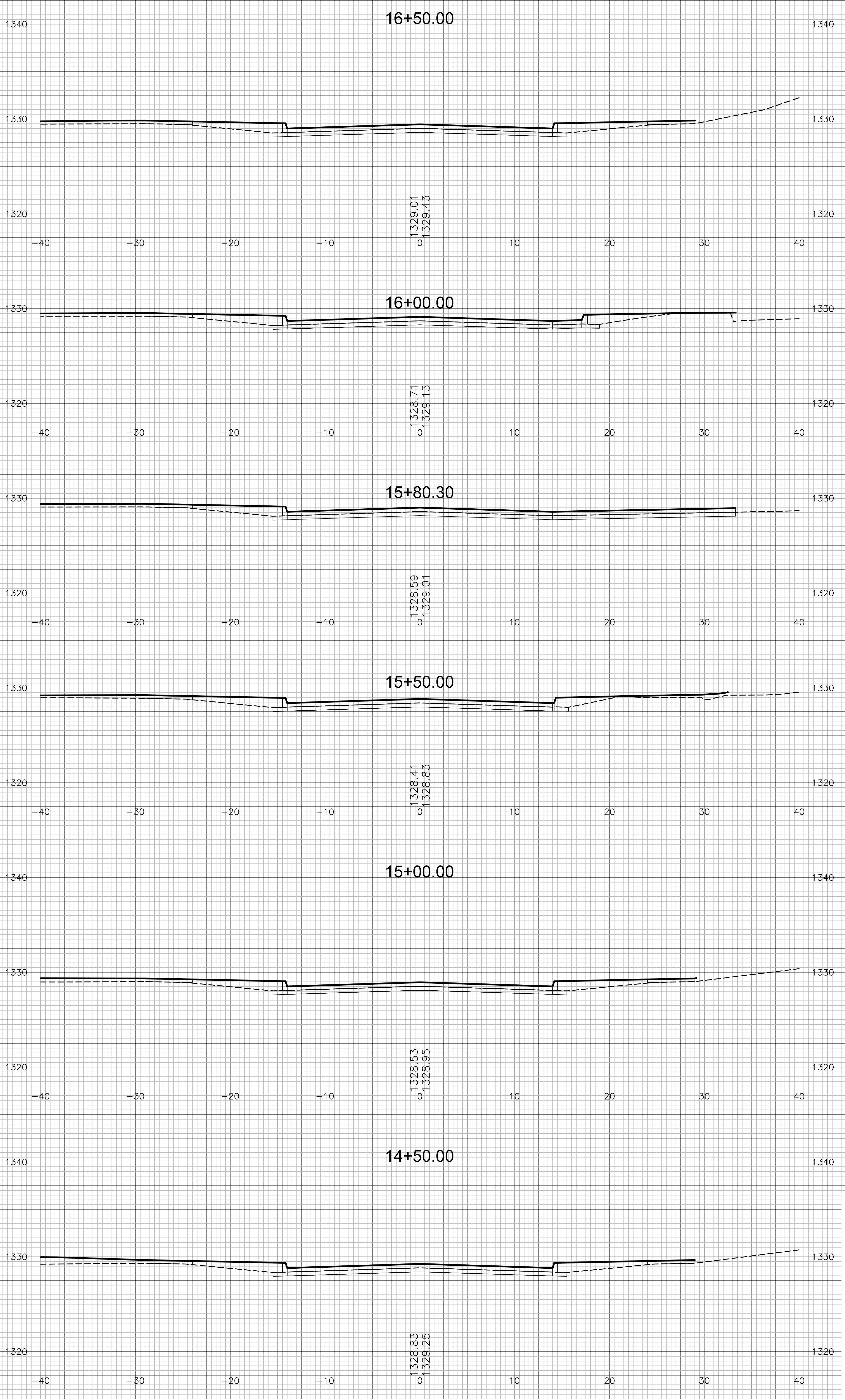
1330 13+00.00 1330



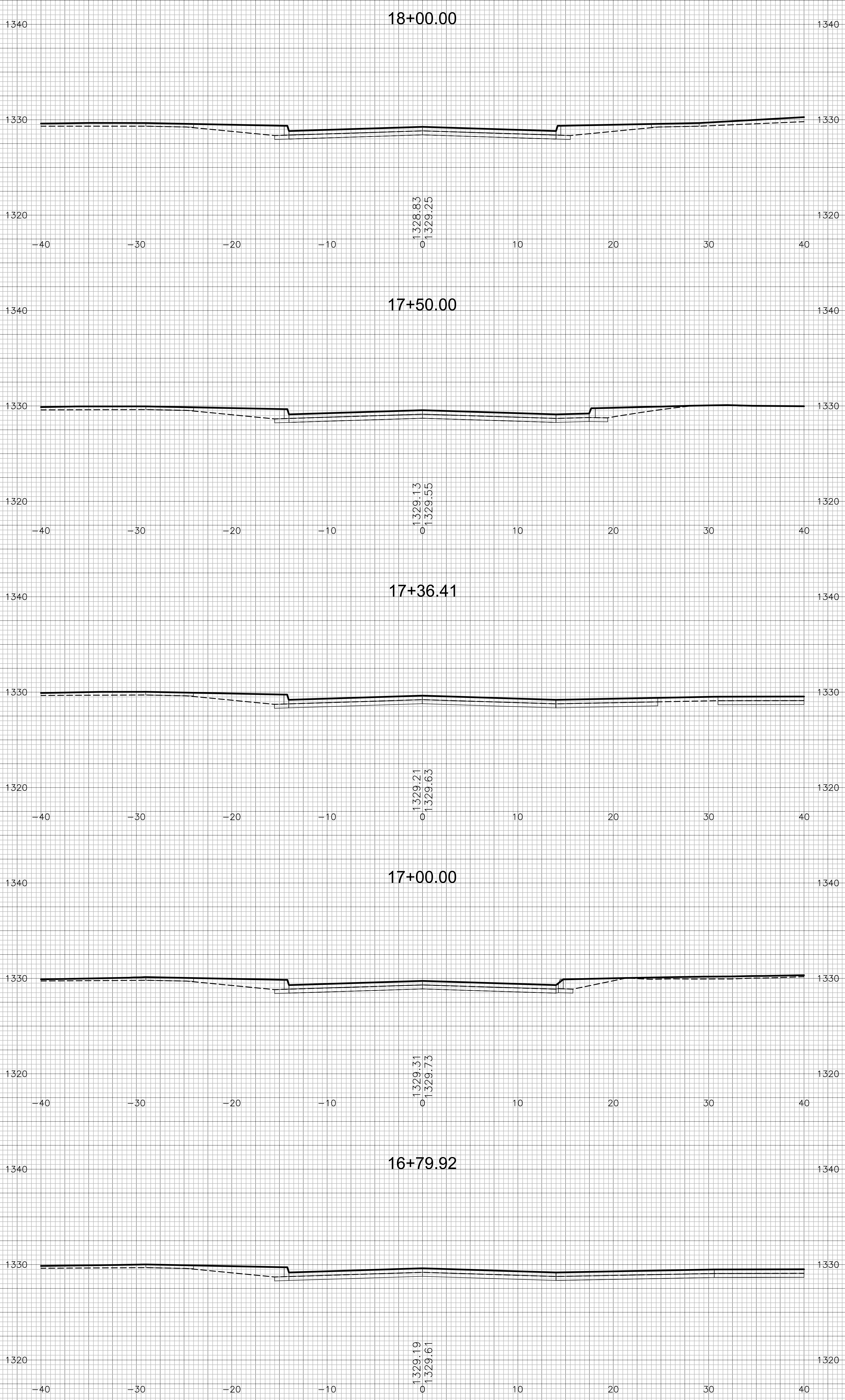
1340 12+50.00 1340



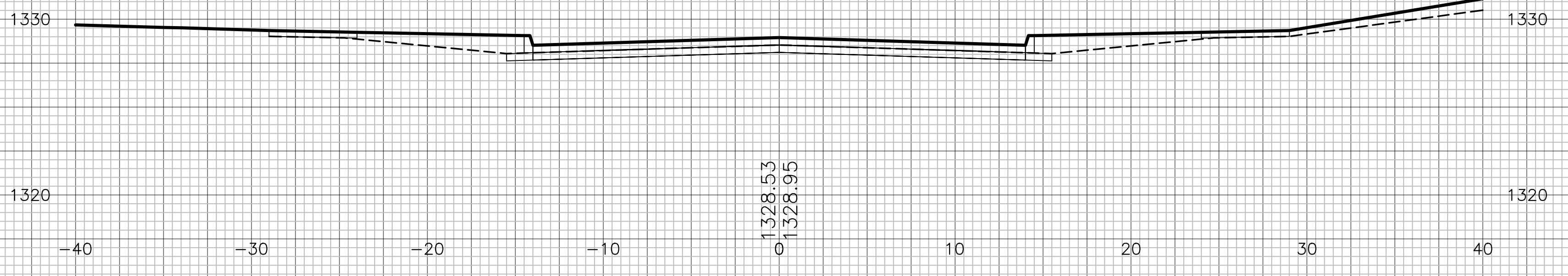
WHIMBREL ST.



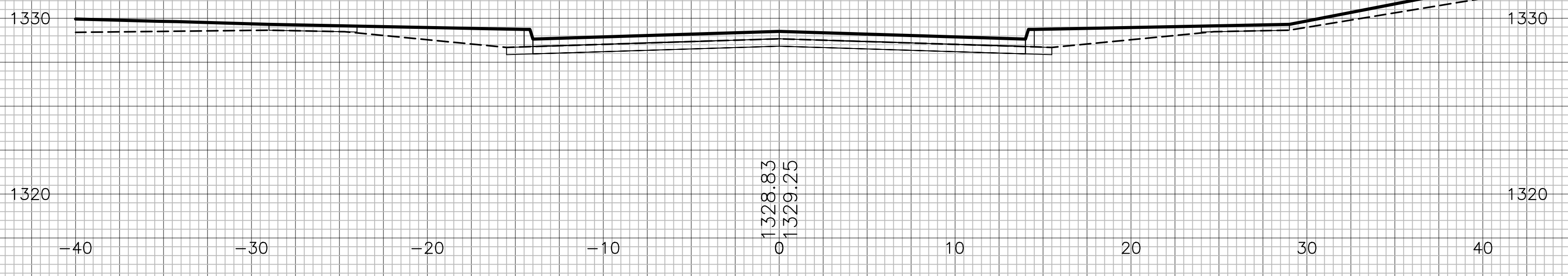
WHIMBREL ST.



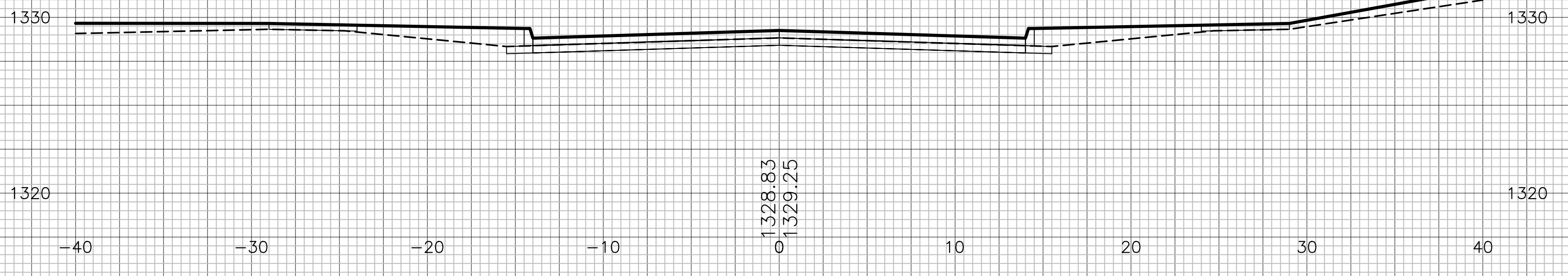
20+50.00



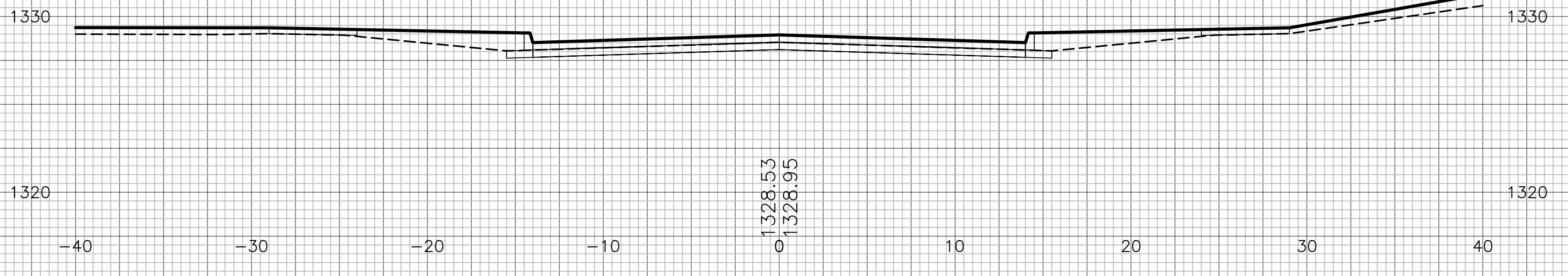
20+00.00



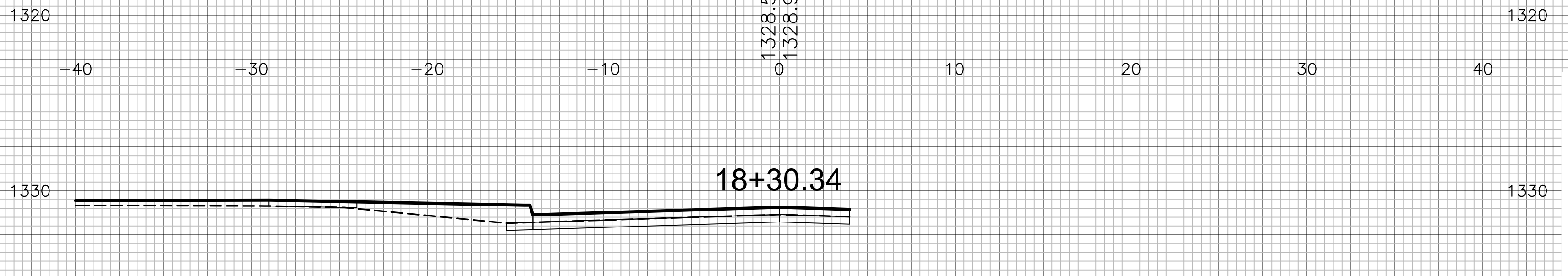
19+50.00



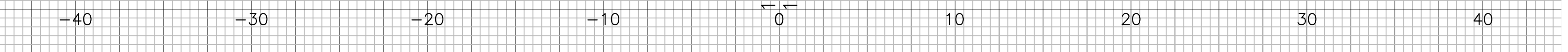
19+00.00

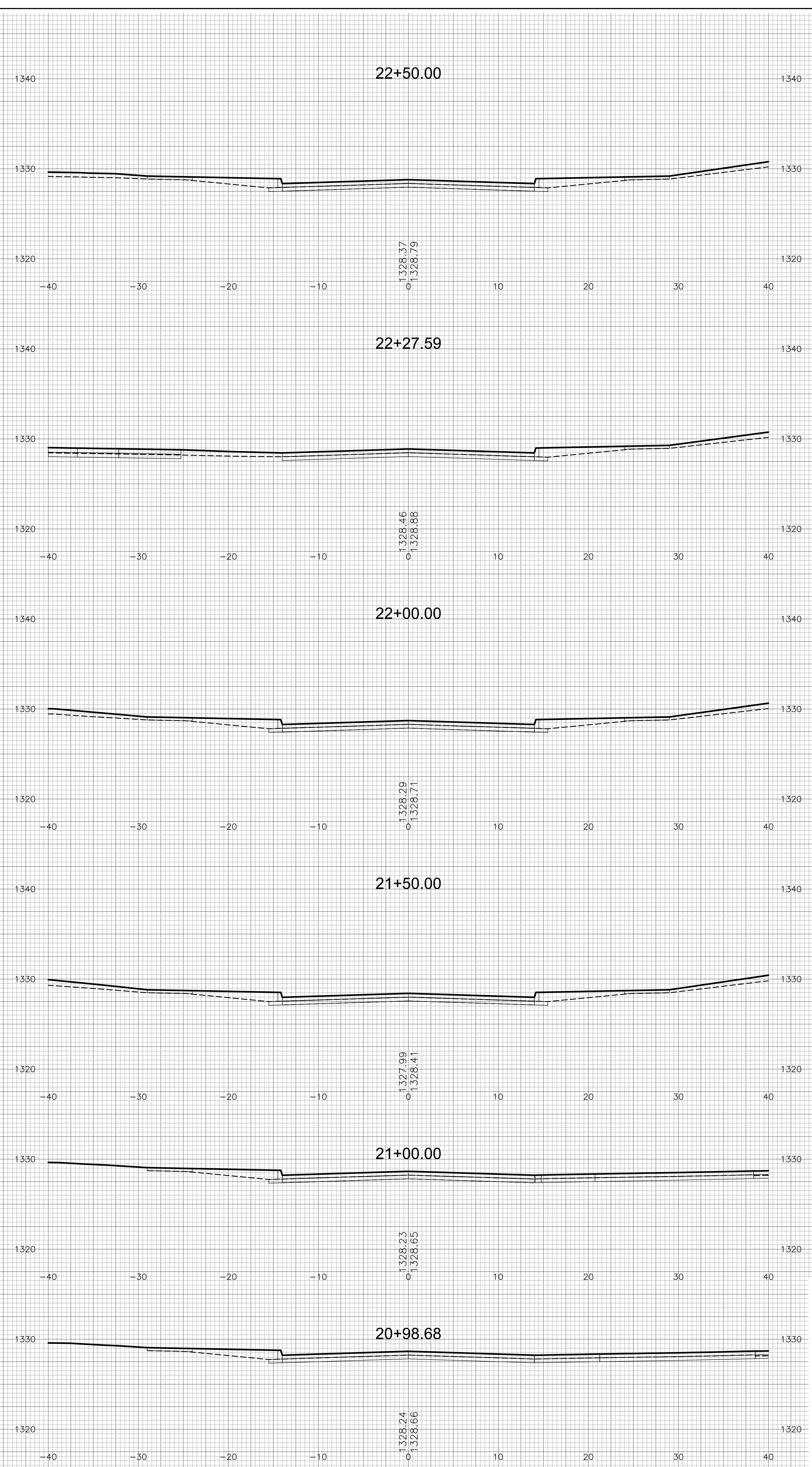


18+50.00

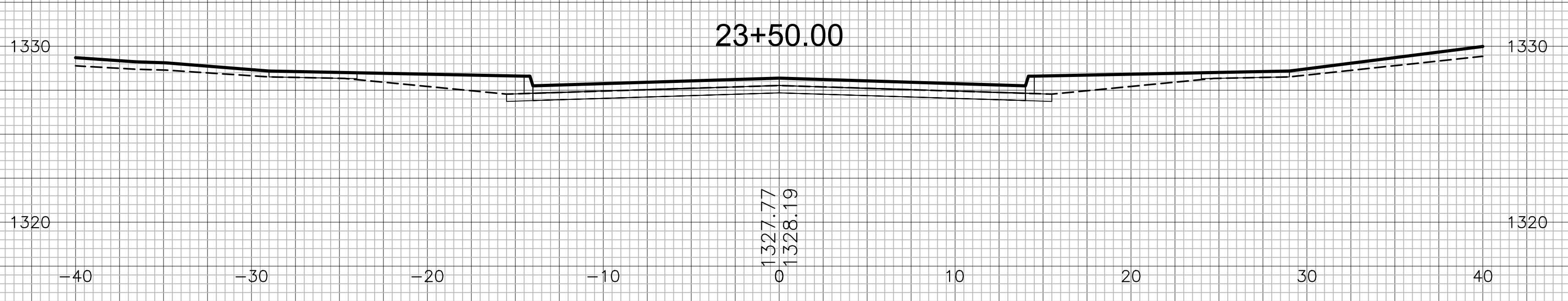
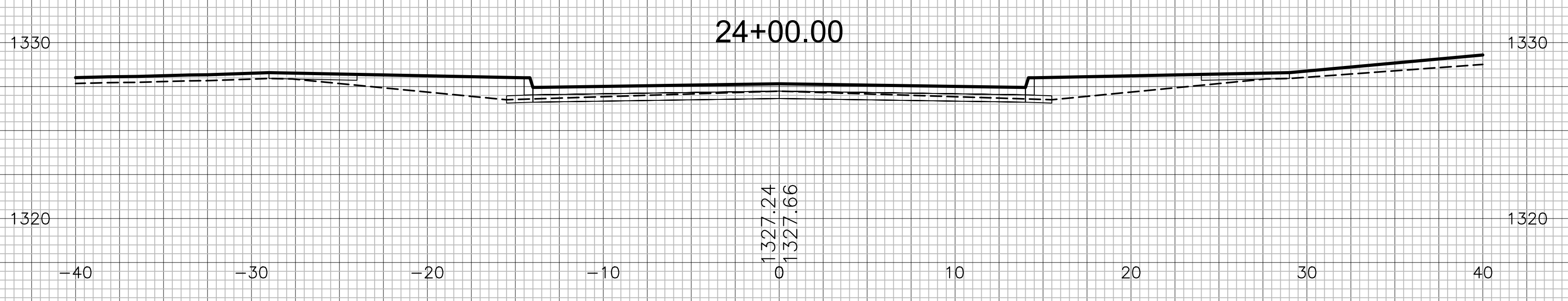
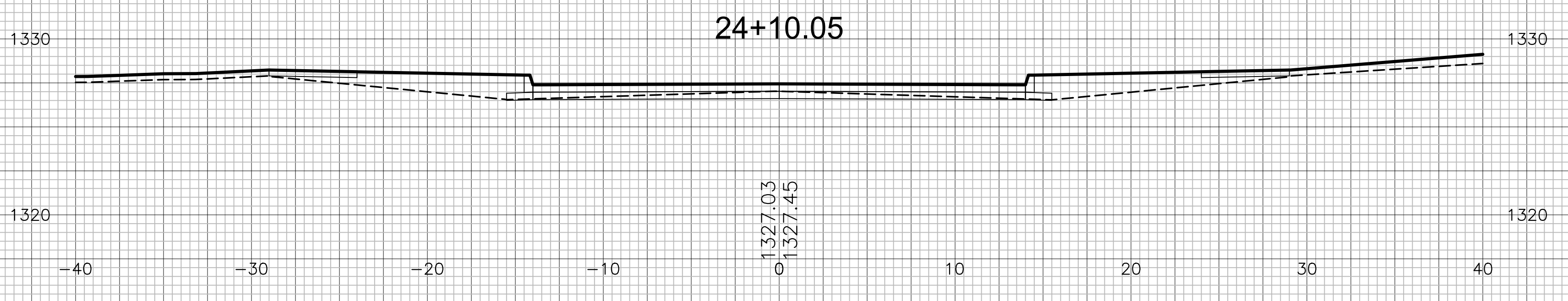


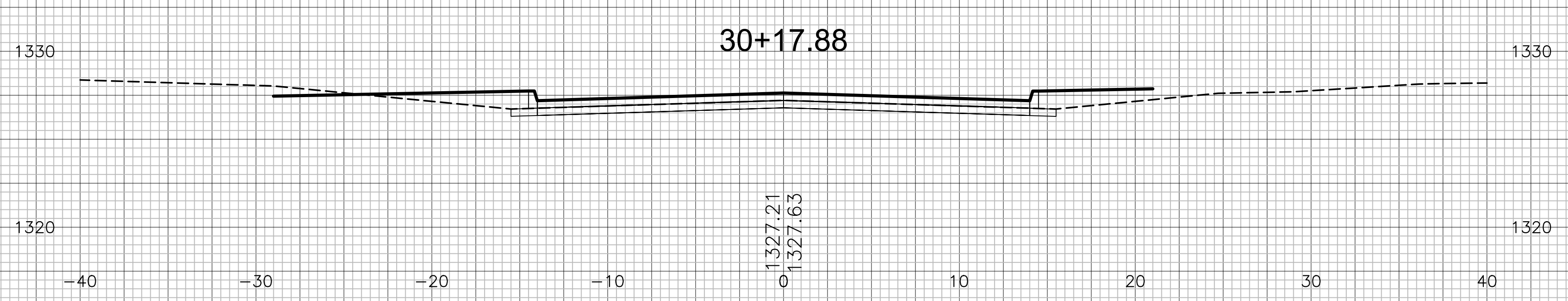
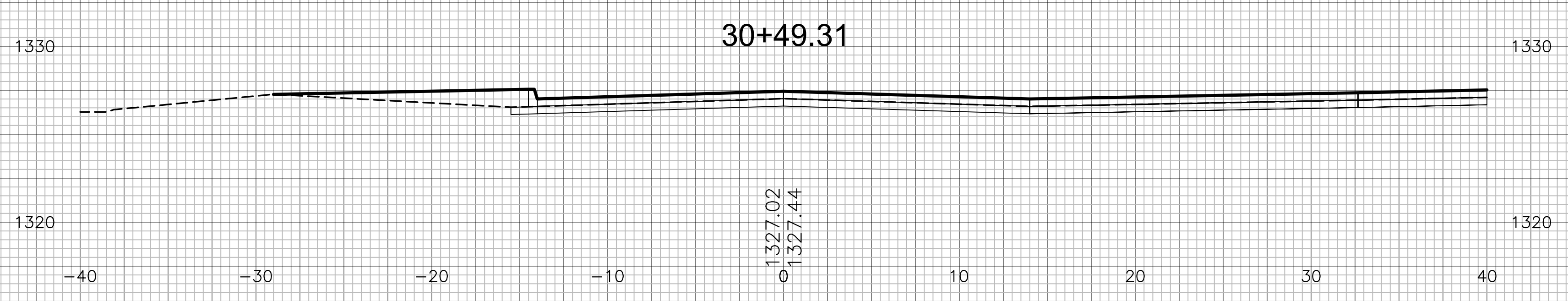
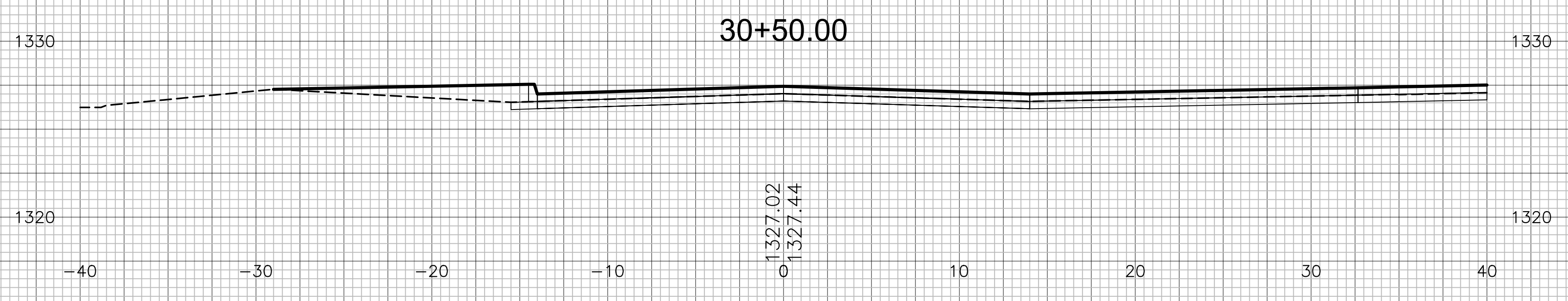
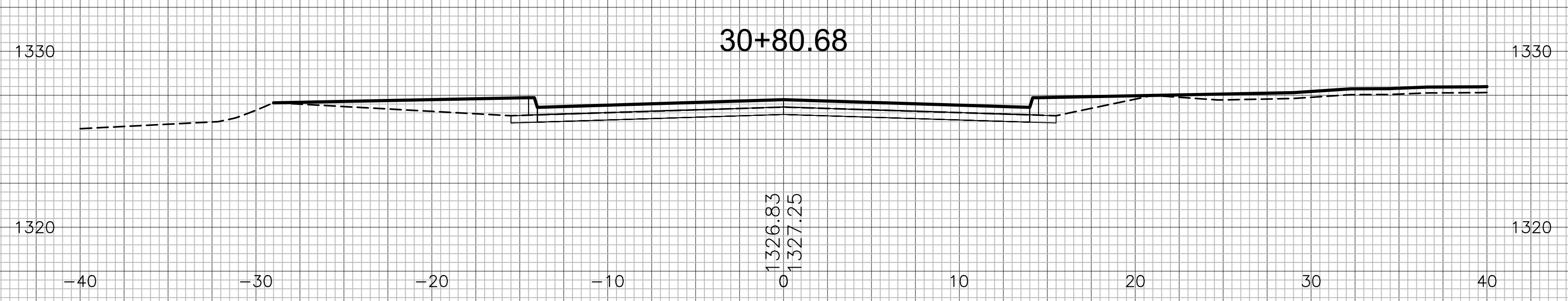
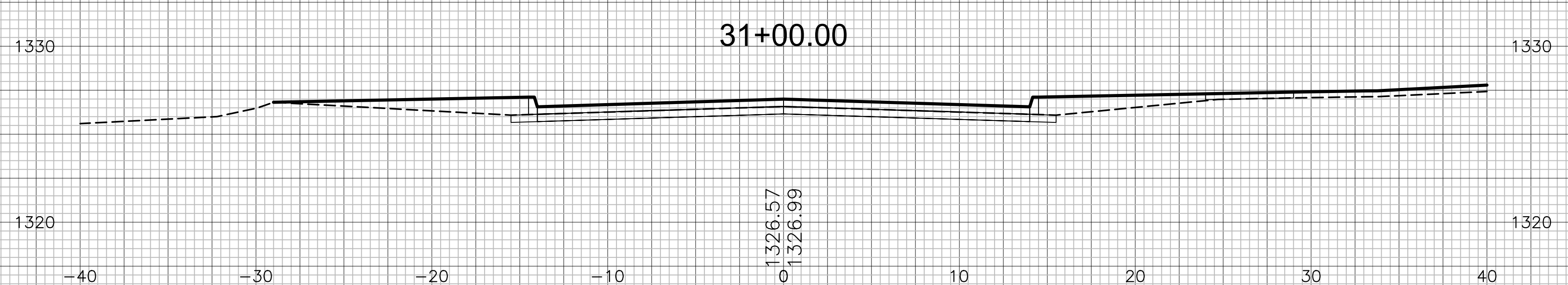
18+30.34





SHEARWATER ST. (LOOP)





PORTWEST ST.

