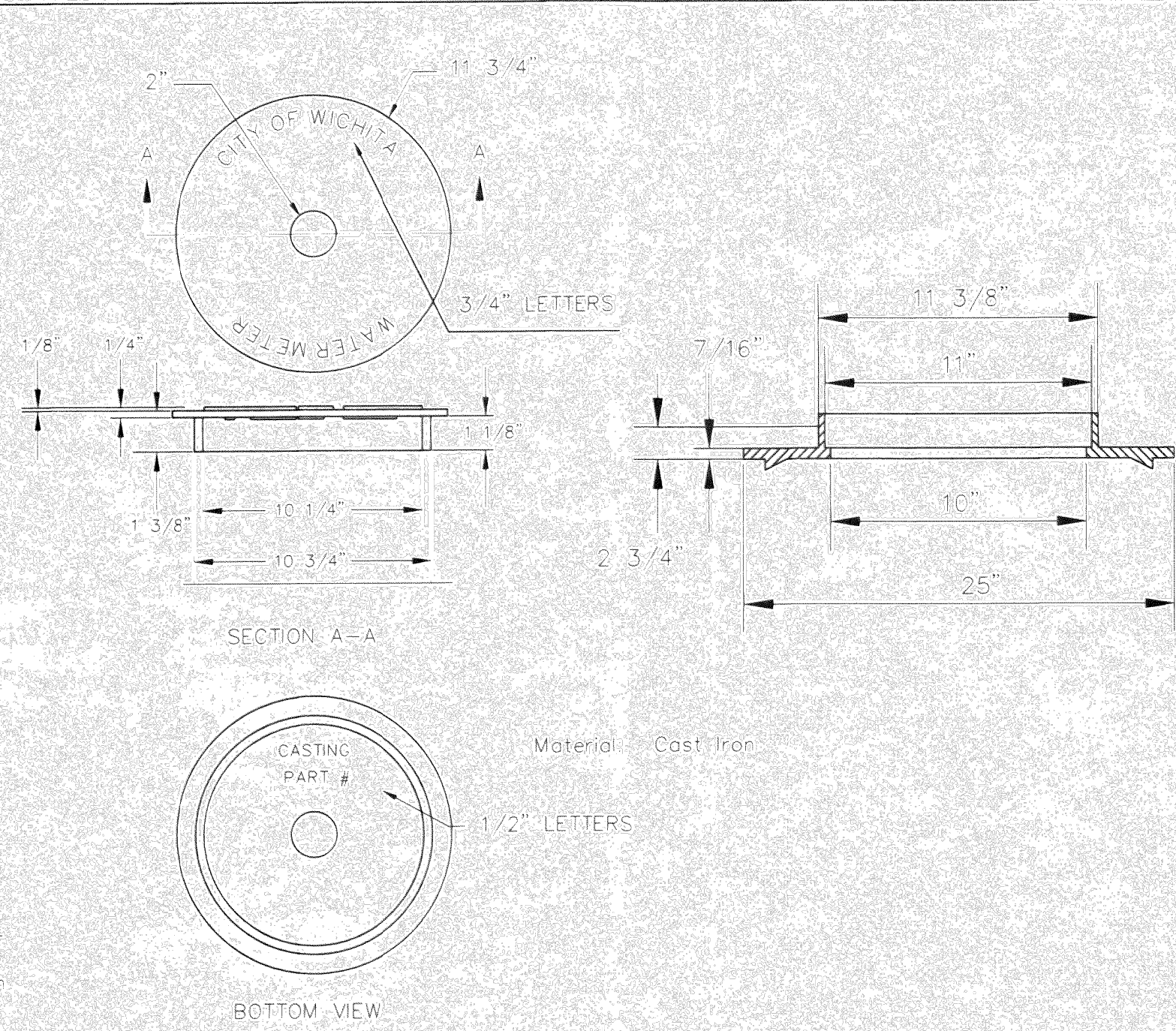


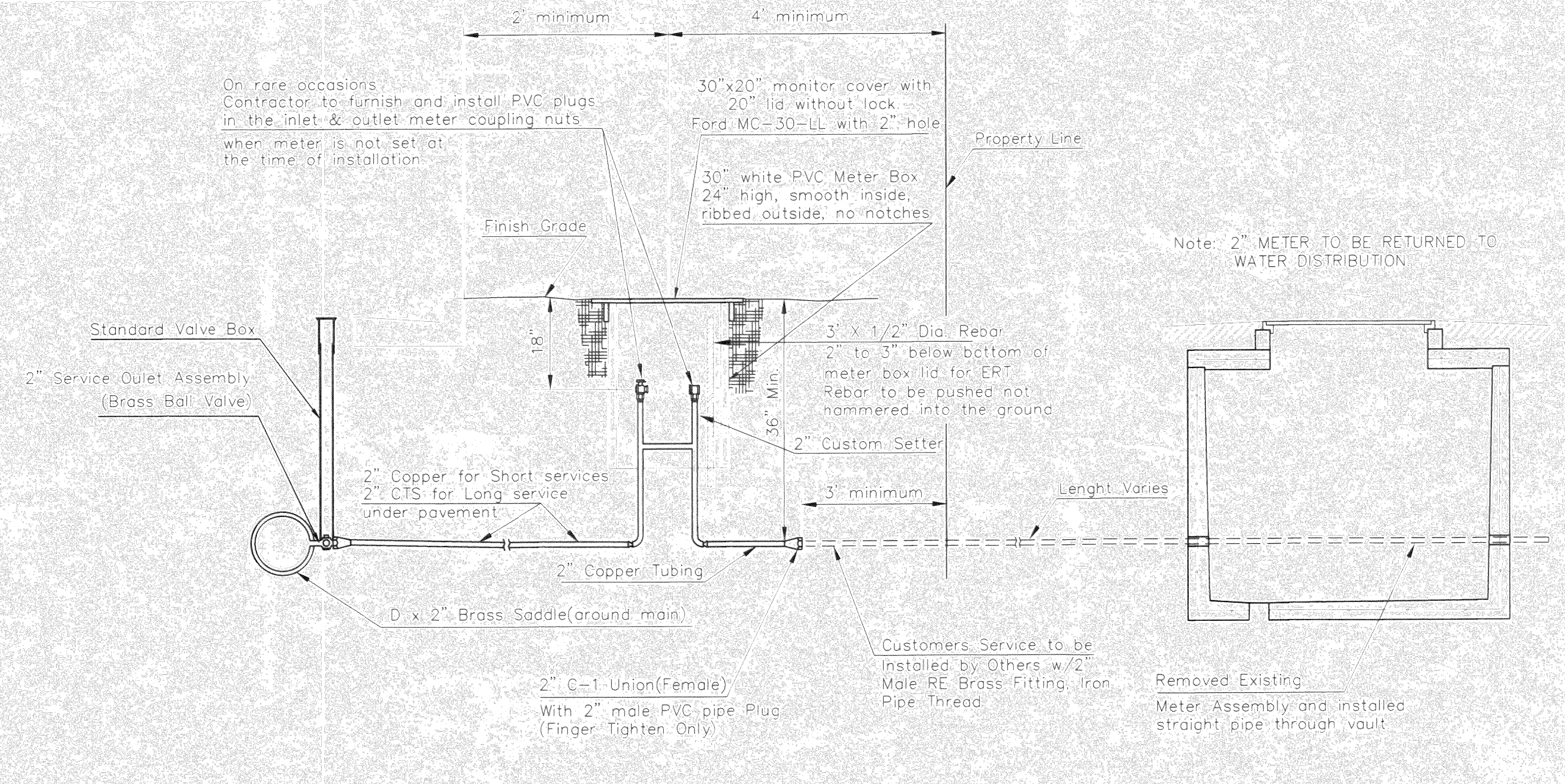
On rare occasions Contractor to furnish and install PVC plugs in the inlet & outlet meter coupling nuts when meter is not set at the time of installation.

Minimum length of pigtail on consumer side is 36" of copper tubing from meter set.
Bore hole under paving shall be a maximum of 2" in diameter and a minimum of 3/16" below top of pavement.
Service Saddles are required on all mains.
Meter boxes will be located on each lot to be served, as indicated in the SPECIAL PROVISIONS.

TYPICAL 1" METER SETTING



NOT TRAFFIC RATED RING & LID FOR 1" METER BOX



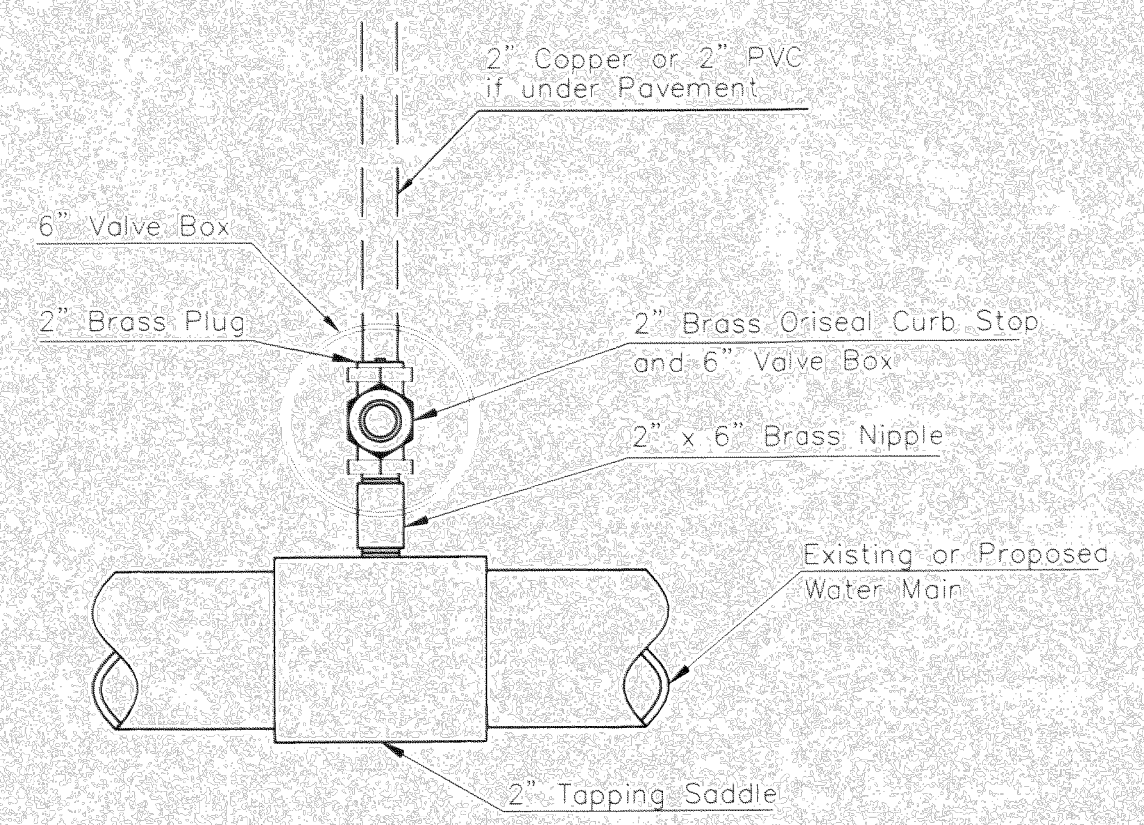
TYPICAL 2" METER SETTING INVOLVING EXISTING 2" METER VAULT

NO AIR RELEASE ASSEMBLIES WILL BE CONSTRUCTED FOR THIS PROJECT

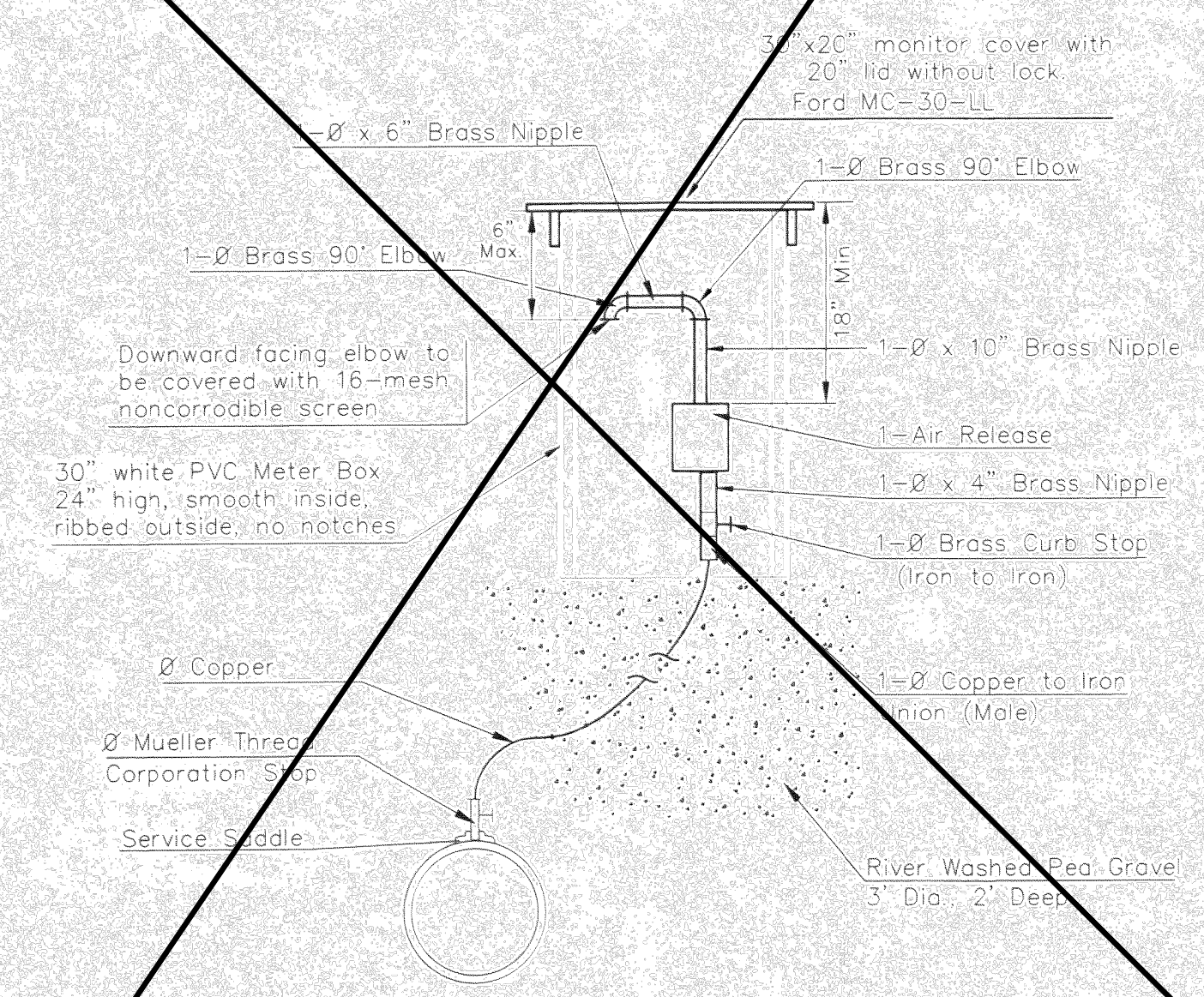
NOTE:

THE 1 1/2" AIR RELEASE ASSEMBLY WILL TYPICALLY BE USED ON WATER MAINS 24" AND SMALLER, AS SPECIFICALLY DESIGNATED IN THE PLANS. COMBINATION AIR RELEASE ASSEMBLIES WILL BE SPECIFICALLY DESIGNED FOR PROJECTS WITH LARGER MAINS, AND WILL BE INCLUDED IN THE PLANS.

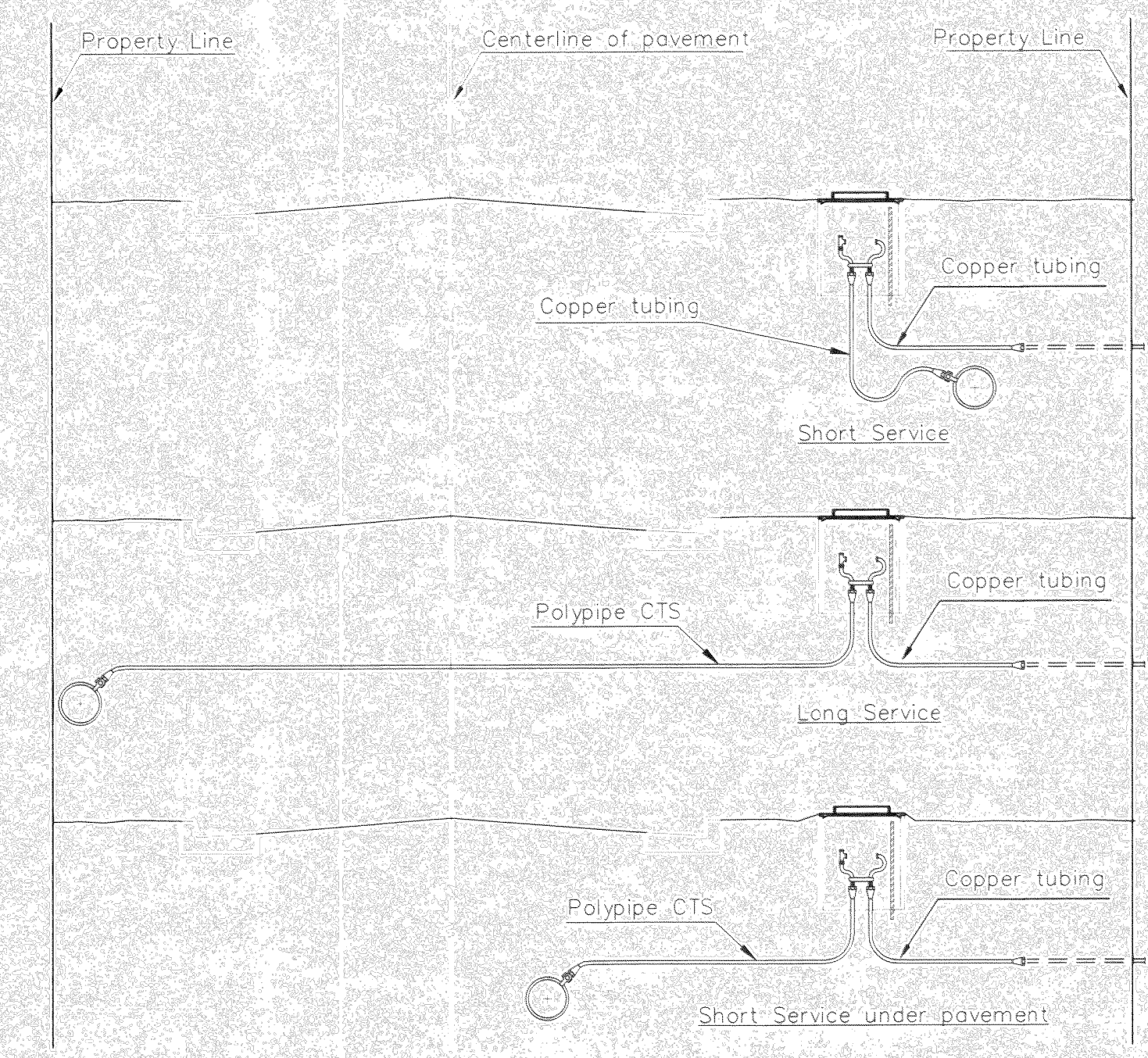
- 1 - 0" Mueller Thread Corporation Stop
- 2 - 0" Type "K" Copper Tubing
- 1 - 0" Copper to Iron Union (Male)
- 1 - 0" Brass Curb Stop (Iron to Iron)
- 2 - 0x4" Brass Nipple
- Air Release
- 2 - 0" Brass Elbows (90°)
- 1 - 1"x6" Brass Nipple
- 1 - 30" Monitor Cover
- 1 - 20" Meter Lid



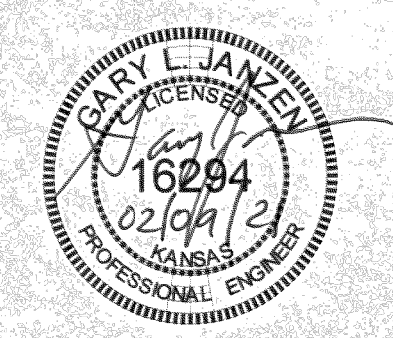
2" SERVICE OUTLET ASSEMBLY TOP VIEW



MATERIALS FOR 1" or 2" AIR RELEASE ASSEMBLY 0" = 1" or 2"



SERVICE TYPES



REVISED: NOVEMBER 2019 | TM 3"x1/2" REBAR IN 1" & 2" METER SETTINGS FOR ERT

CITY OF WICHITA

STANDARD WATER SERVICE DETAIL

CITY ENGINEER
GARY JANZEN, P.E.

PROJECT NUMBER	OCA NUMBER	DATE

CITY ENGINEER'S OFFICE
CITY HALL - SEVENTH FLOOR
455 NORTH MAIN STREET
WICHITA, KANSAS 67202-1620
(316) 268-4501

SHEET
_ of _