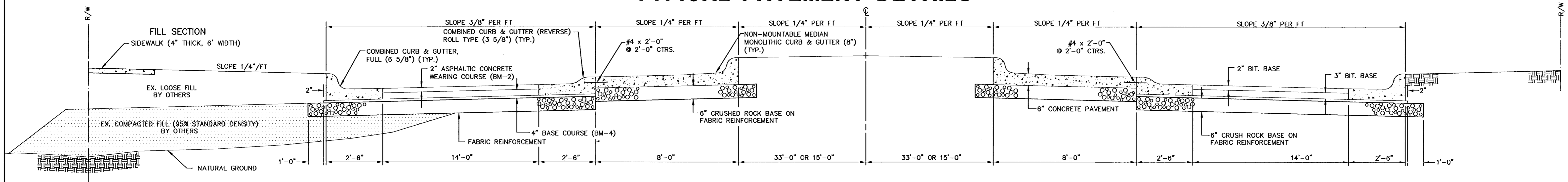
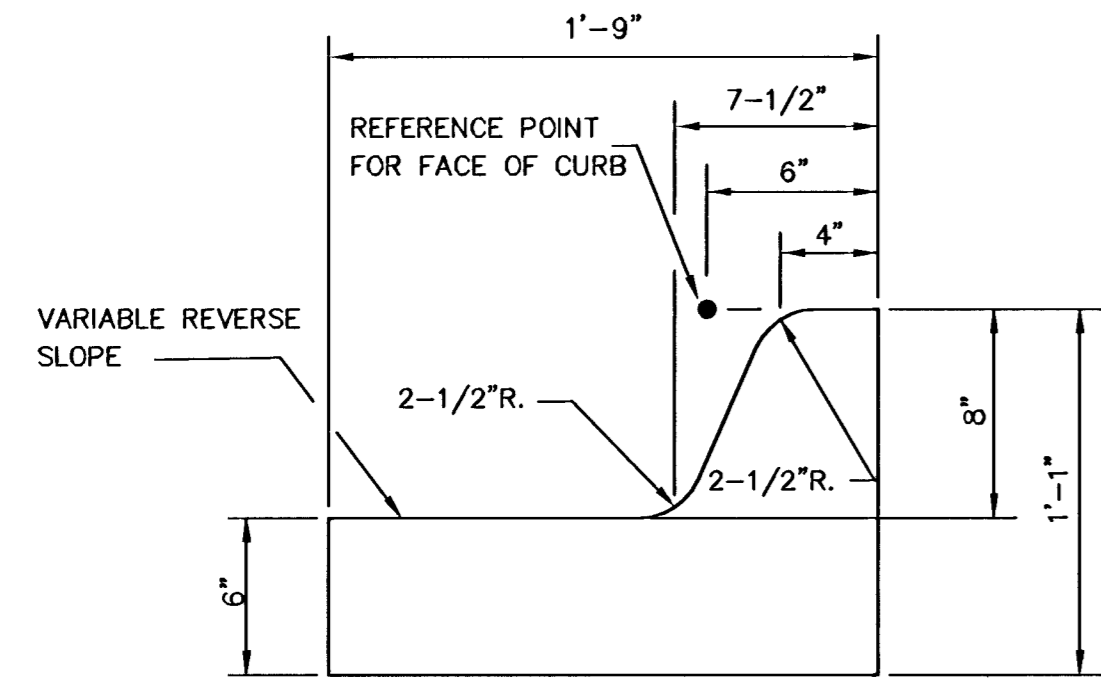


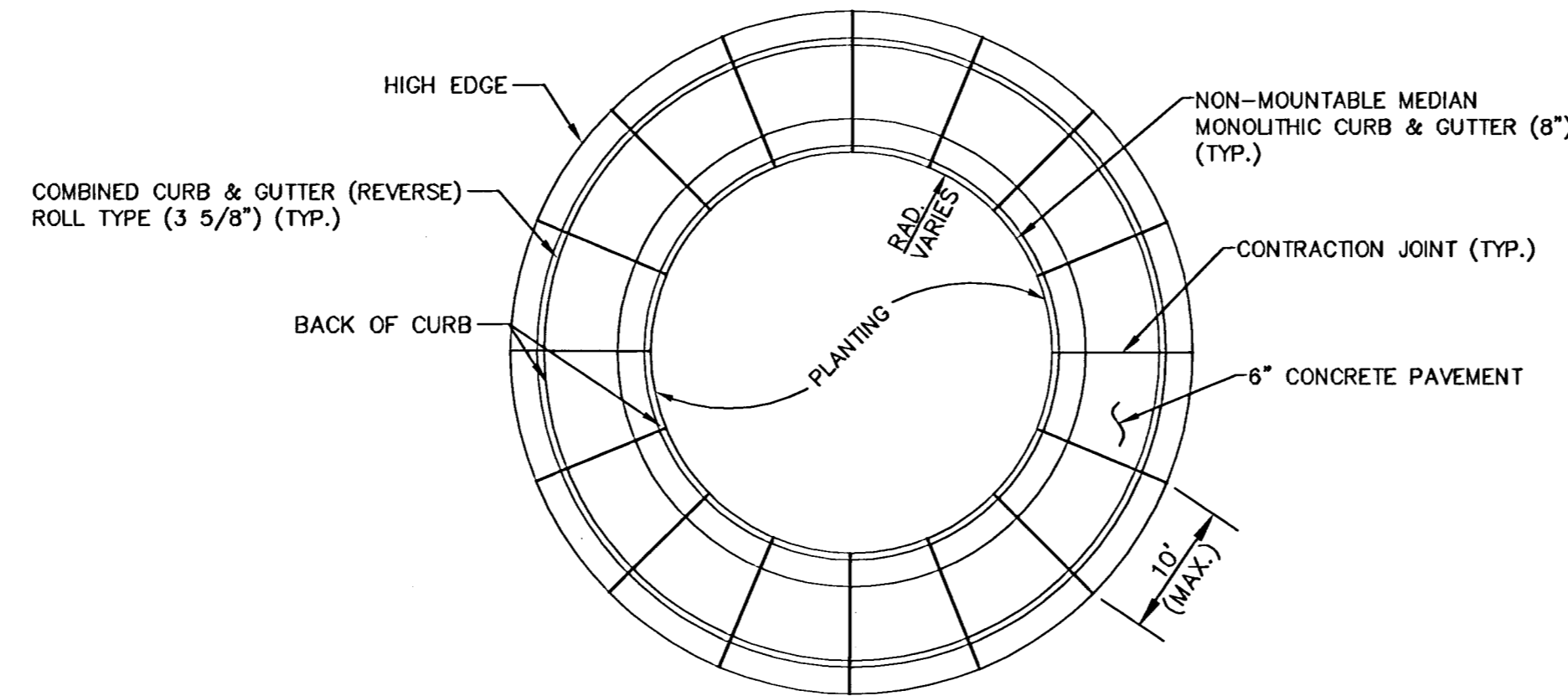
TYPICAL PAVEMENT DETAILS



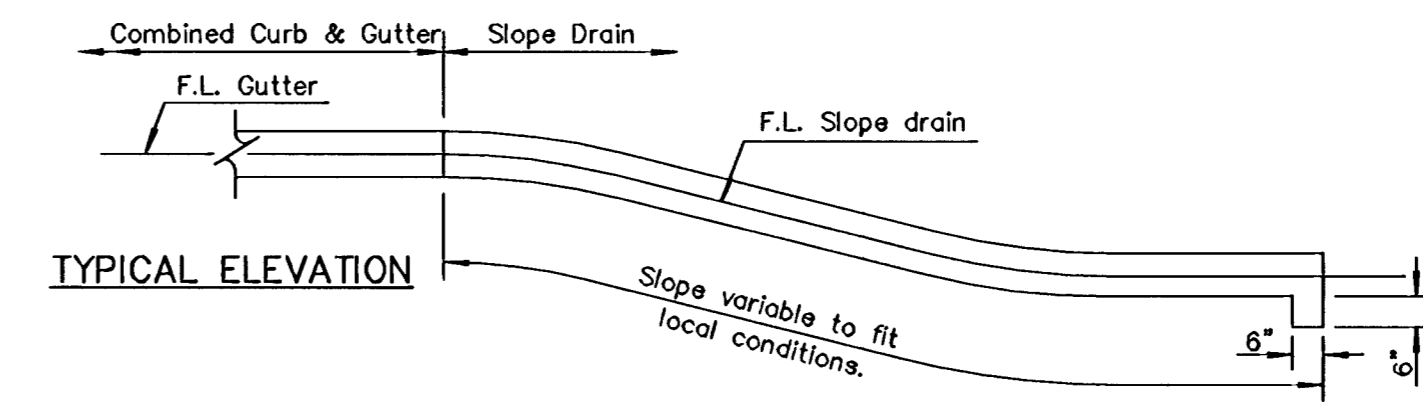
TRANSVERSE SECTION AT ROUNDABOUT



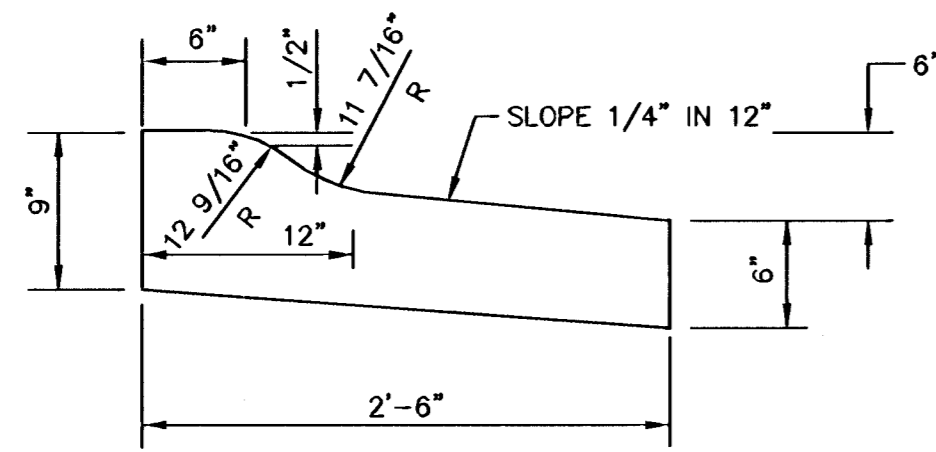
NON-MOUNTABLE MEDIAN COMBINED CURB & GUTTER (8")



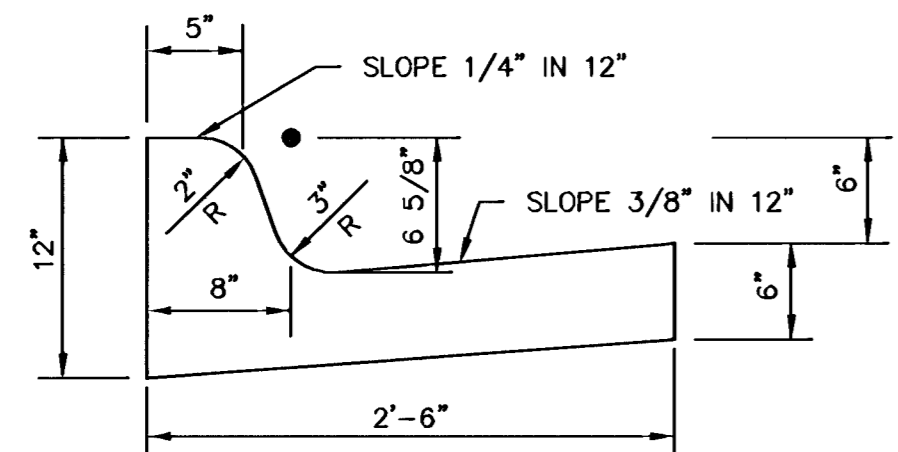
CONTRACTION JOINT LAYOUT AT ROUNDABOUT MEDIANS



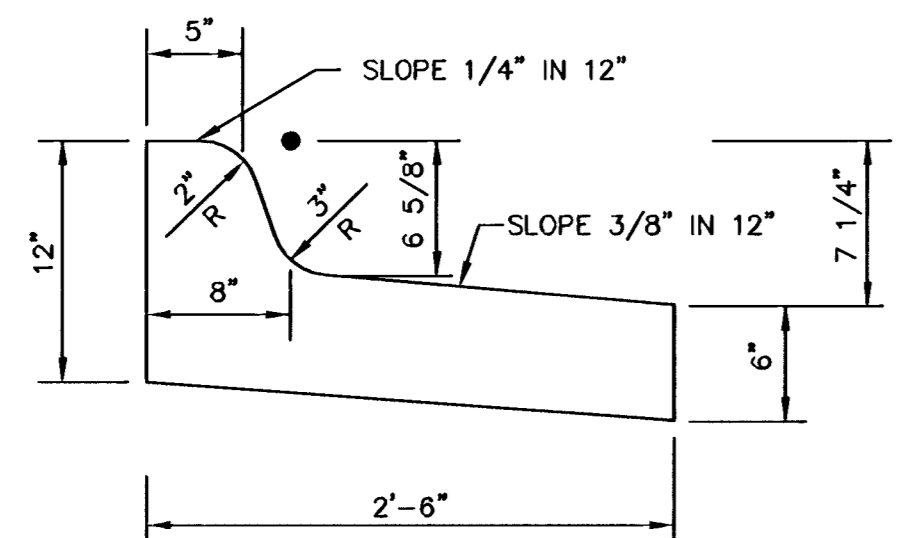
TYPICAL ELEVATION



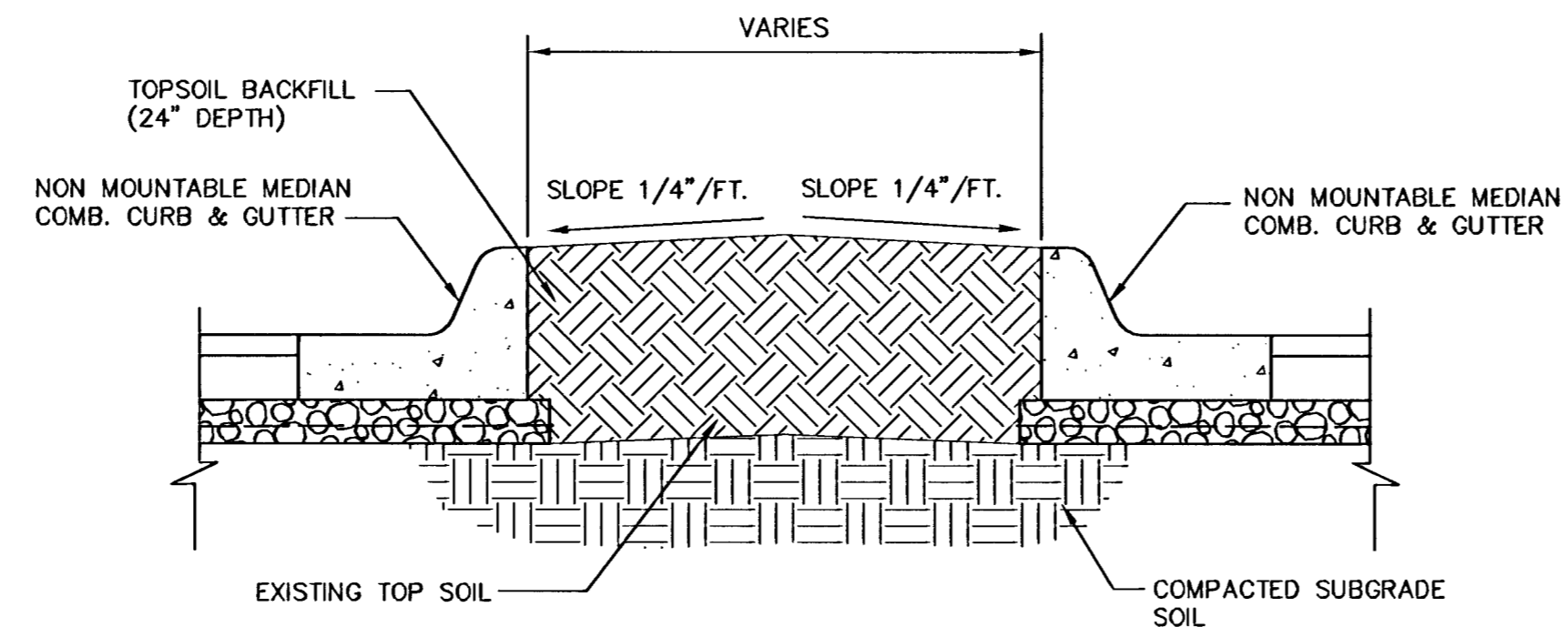
COMBINED CURB & GUTTER (REVERSE), ROLL TYPE (3 5/8")



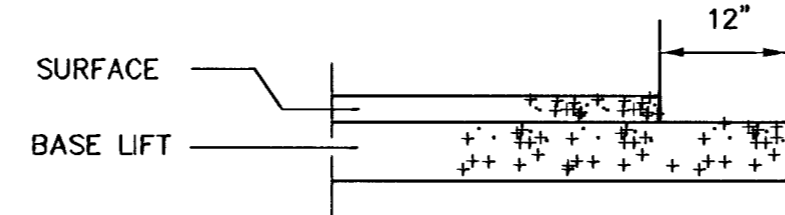
COMBINED CURB & GUTTER, FULL (6 5/8")



COMBINED CURB & GUTTER (REVERSE), FULL (6 5/8")



MEDIAN DETAIL

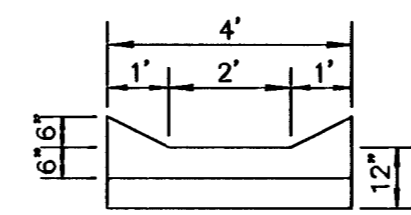


TRANSVERSE CONSTRUCTION JOINTS

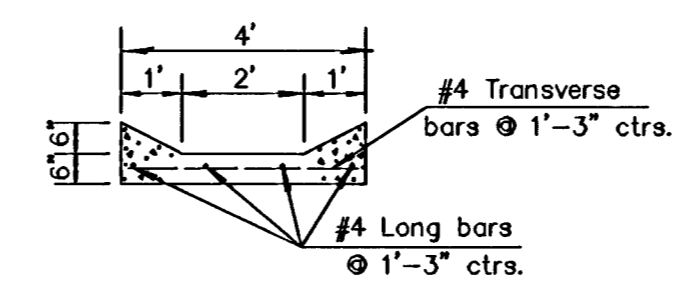
TRANSVERSE CONSTRUCTION JOINTS SHALL BE CONSTRUCTED IN FLEXIBLE BASE PAVEMENTS AT LOCATIONS WHERE PAVEMENT JOINS EXISTING FLEXIBLE BASE PAVEMENT AS SHOWN BY THE DETAIL. ALL COSTS ASSOCIATED WITH THE CONSTRUCTION OF THE TRANSVERSE JOINT SHALL BE INCLUDED IN THE BID PRICE FOR SQUARE YARDS 6" ASPHALTIC CONCRETE (4" BITUMINOUS BASE).

SLOPE DRAIN DETAIL

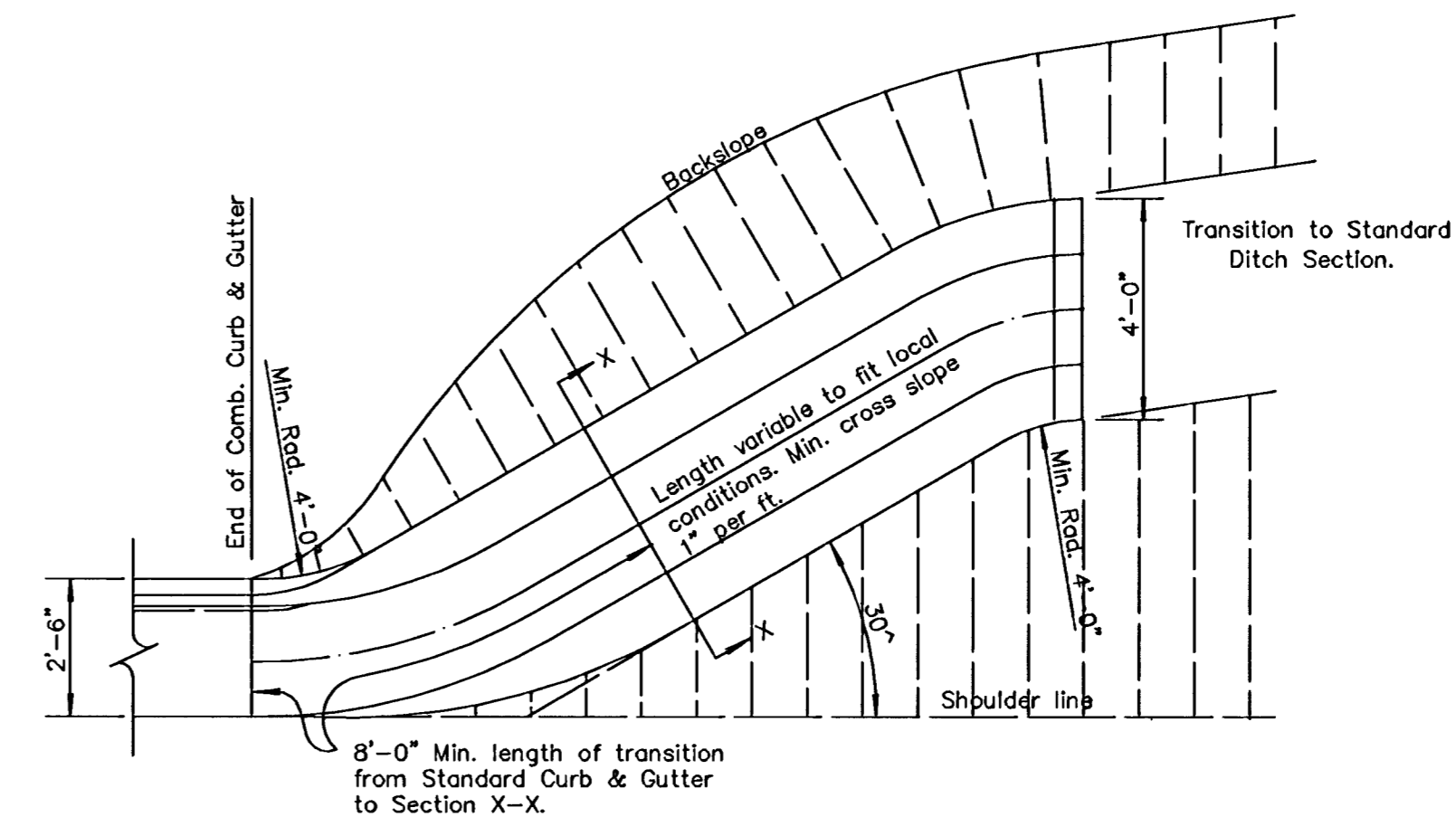
NOTES:
Use Class "A" Concrete-AE throughout. The entire area of the Slope Drain below curbs is to be poured and struck of with a uniform thickness of 6". The curbs are to be applied in the same manner and using the same method as the edge curb. Reinforcing steel to be deformed #4 bars.



END ELEVATION (Downstream end)



SECTION X-X



TYPICAL PLAN

6" ASPHALTIC CONCRETE PAVEMENT WITH 6" CRUSHED ROCK STABILIZED SUBBASE ON GEOGRID BASE REINFORCEMENT
CITY OF WICHITA, KANSAS

| | | |
|---|-------------------------------------|-------------------------|
| <p>MKEC ENGINEERING CONSULTANTS 411 N. WEBB ROAD WICHITA, KS. 67206 316-684-9600</p> | NORTH RIDGE VILLAGE ADDITION | |
| | PROJECT NAME | |
| | PAVING DETAIL | |
| | SHEET TITLE | |
| | DESIGN BY: MAB | DRAWN BY: KWS |
| DATE: JANUARY 2006 | JOB NO.: 04394 | SHEET/OF: 3 / 34 |

I:\CIVIL\04394\DWG\PAV\04394EB4.DWG