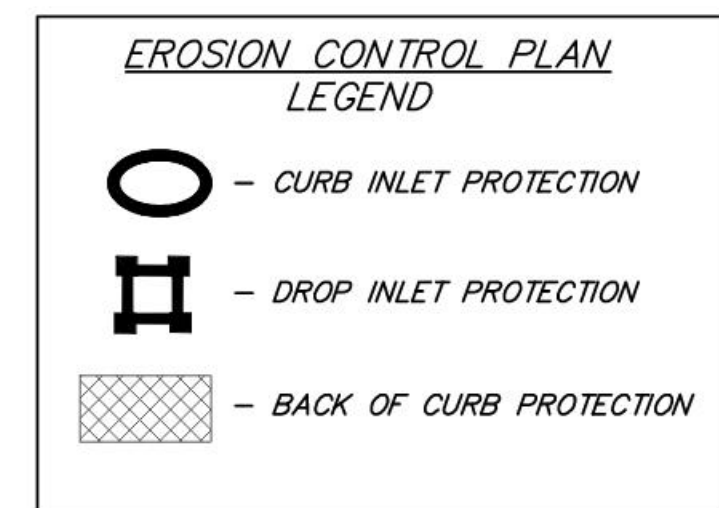
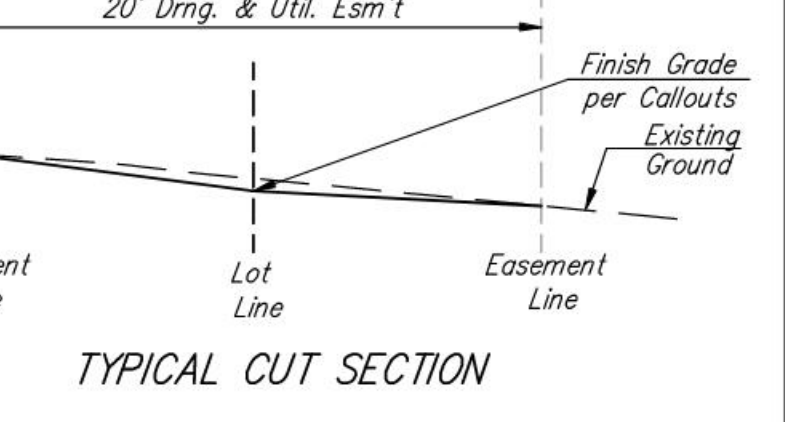
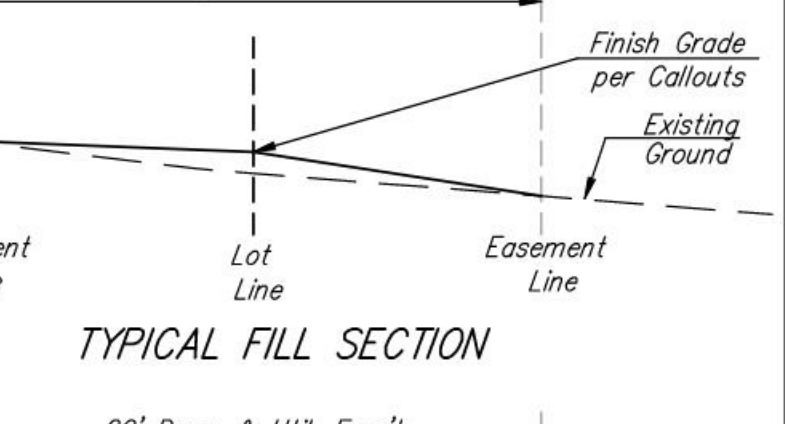
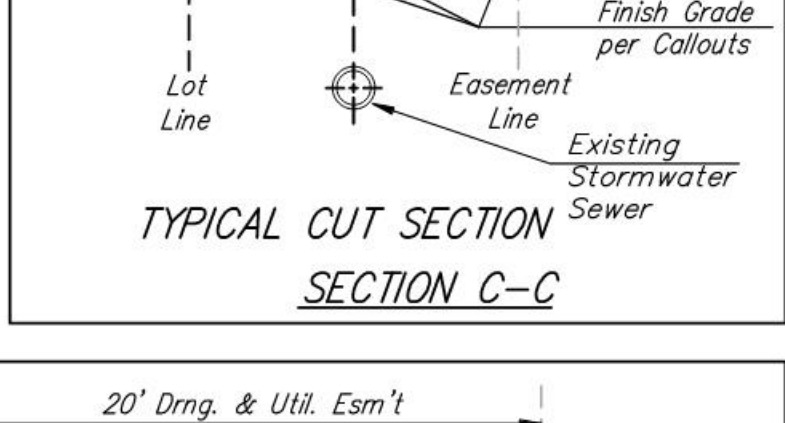
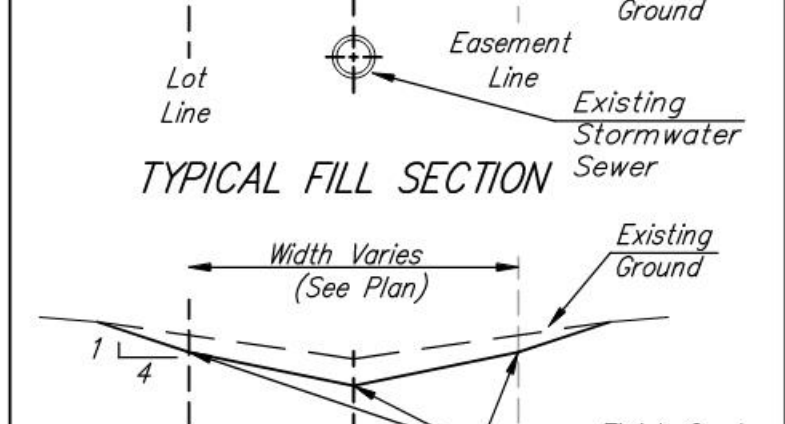
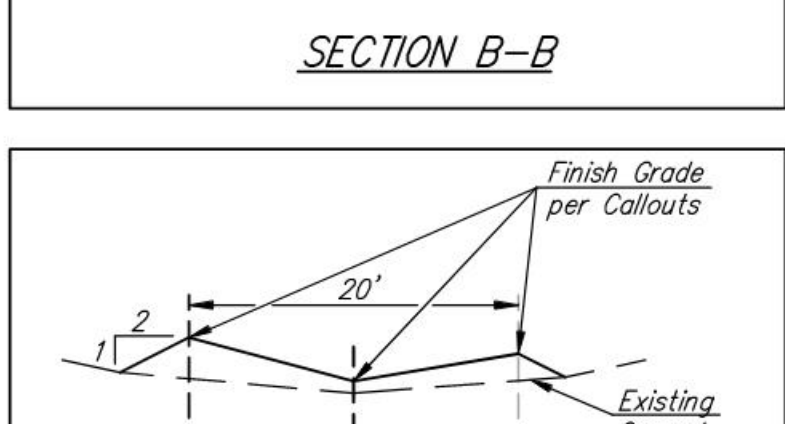
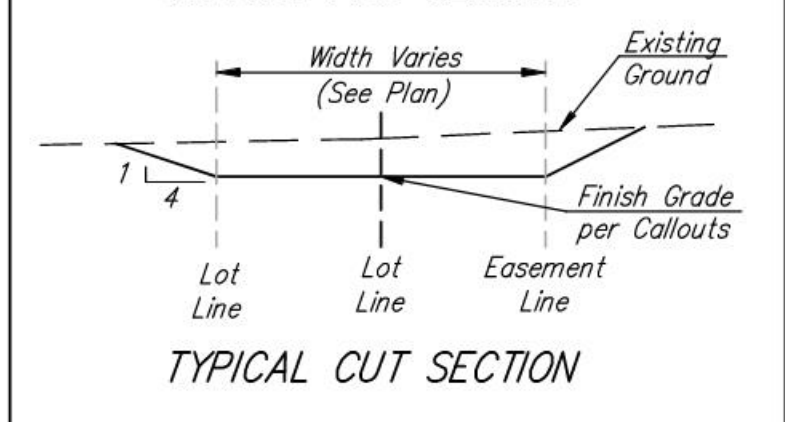
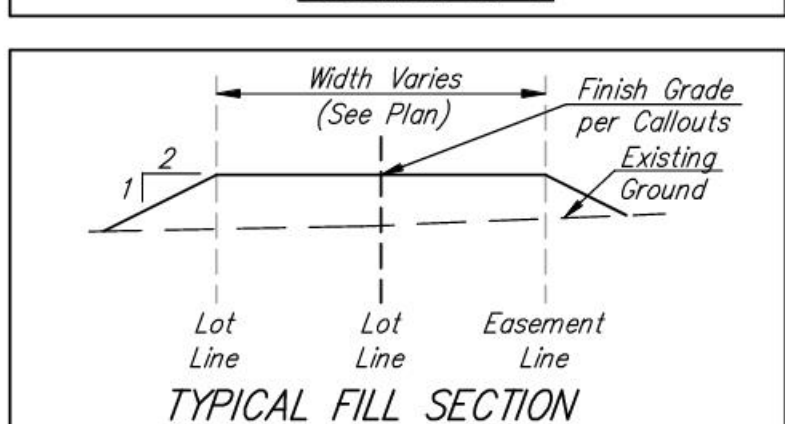
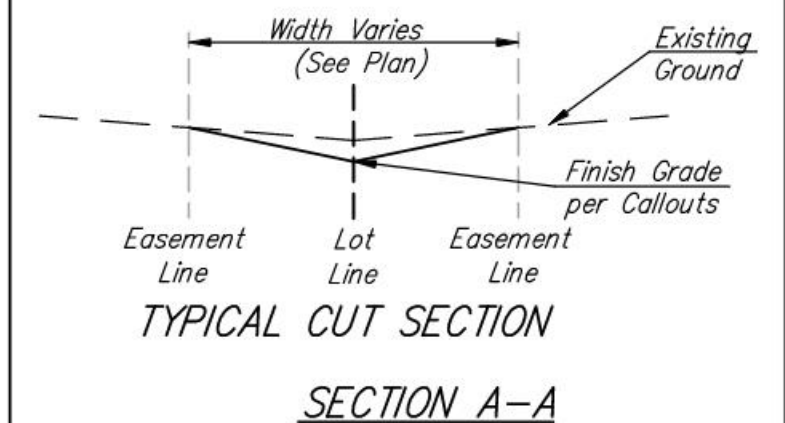
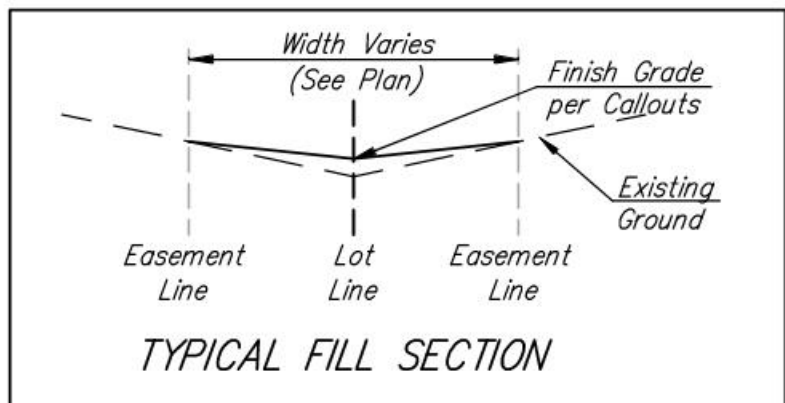
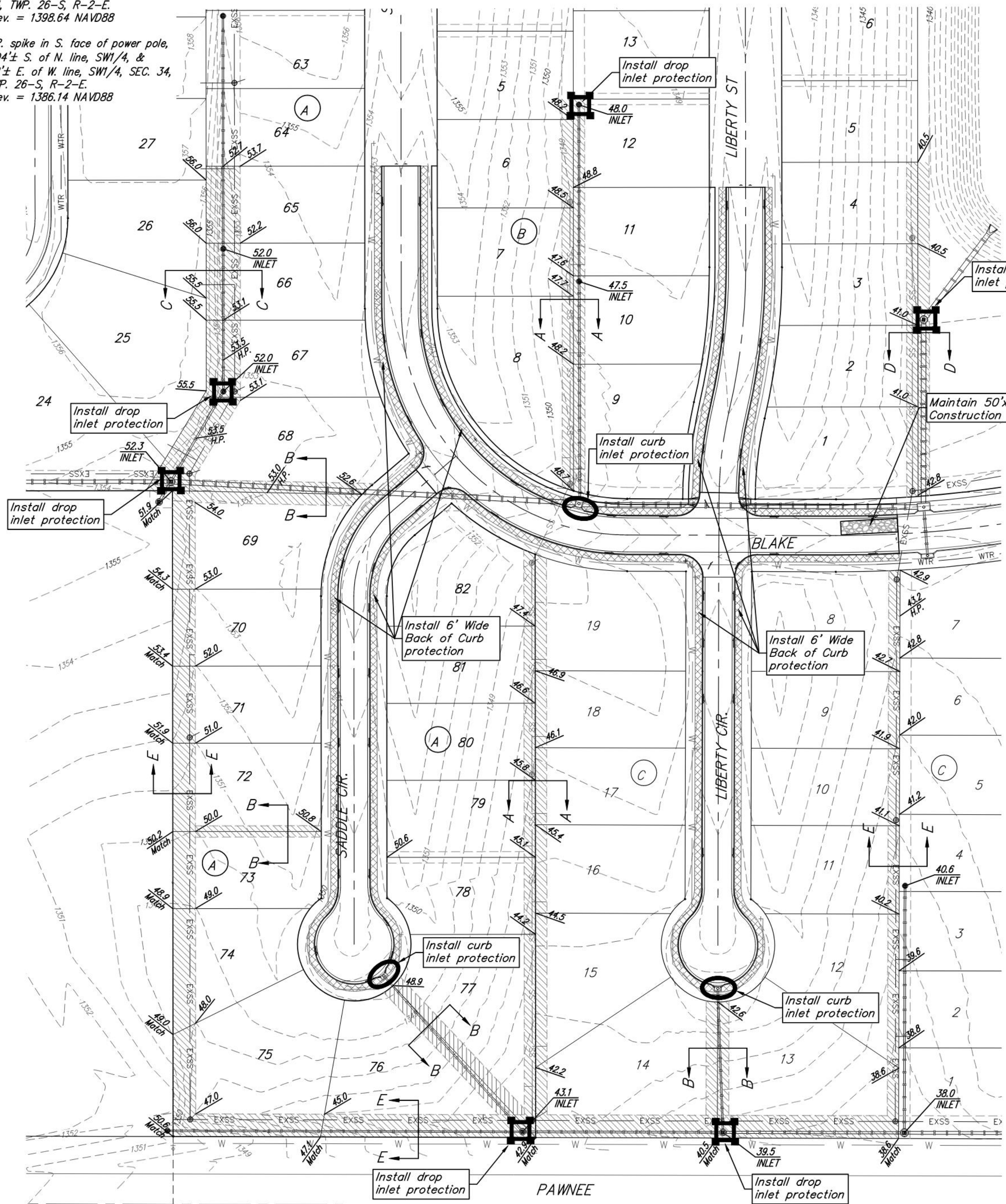


BENCHMARKS:
 RR spike in asphalt, SW Cor.,
 N1/2, SW1/4, Sec. 34, TWP. 26-S,
 R-2-E.
 Elev. = 1400.59 NAVD

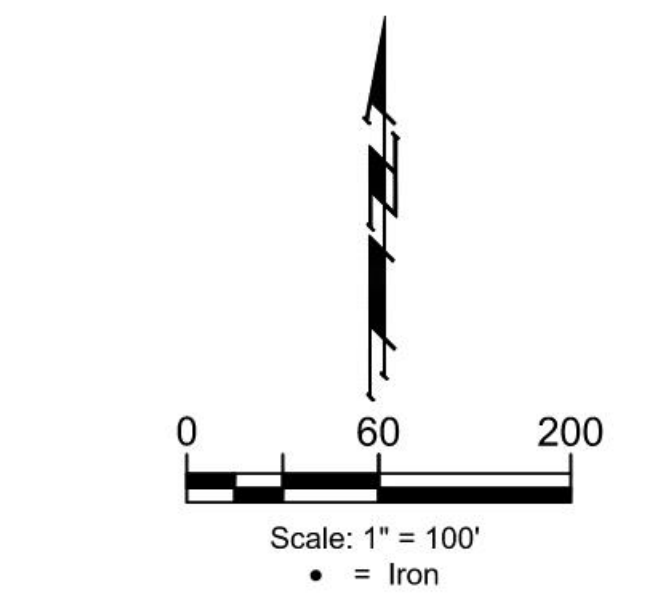
RR spike in E. face of power pole,
 174± N. of S. line, N1/2, SW1/4
 & 49± E. of W. line, SW1/4, SEC.
 34, TWP. 26-S, R-2-E.
 Elev. = 1398.64 NAVD88

RR spike in S. face of power pole,
 294± S. of N. line, SW1/4, &
 48± E. of W. line, SW1/4, SEC. 34,
 TWP. 26-S, R-2-E.
 Elev. = 1386.14 NAVD88



EROSION CONTROL MEASURE	INSTALL	MAINTAIN
CONSTRUCTION ENTRANCE (EA)	0	1
CURB INLET BARRIER (EA)	3	0
DROP INLET BARRIER (EA)	6	0
BACK OF CURB PROTECTION (LF)	3,636	0

* ALL EXISTING BMPs INCLUDING CONSTRUCTION ENTRANCE, SEDIMENT BARRIERS, SILT FENCE, CUT-OFF TRENCH, AND EROSION CONTROL MAT SHALL BE MAINTAINED AND REPAIRED IF NECESSARY.



NOTES:
 1. Contractor shall make sure all erosion control is in place before project is accepted. This plan represents the minimum standard. Any additional erosion control measures shall be installed by the Contractor as needed.
 2. All areas disturbed during construction shall be seeded, mulched, and fertilized as per Cover Sheet General Notes.

[Hatched Box] = Easements To Be Graded
 All easements have previously been graded with the Storm Water Drain Project. The Contractor of this project shall fine grade the easements to the section and elevations shown.

The Contractor shall 'straight' grade the easements between the elevations given. Where a callout designates 'Match', the Contractor will grade to the existing ground elevation.

All costs for easement grading shall be included in the "Easement Grading" bid item.

Where trees are present along rear lot line, grades shall match at drip line and trees shall not be disturbed.

This plan is Not to be used as a comprehensive grading plan. All spot elevations are proposed & subject to change.



BAUGHMAN COMPANY
 315 Ellis St.
 Wichita, KS 67211
 316-262-7271
 BaughmanCo.com

TURKEY CREEK 4TH ADDITION - PHASE III

EROSION CONTROL

STREET IMPROVEMENTS
 PROJECT NUMBER:
 472-2020-085620
 DESIGN: DMV DRAWN: JAK
 DATE: Sept. 18, 2023
 SHEET OF
14 28

File: E:\Projects\Turkey Creek 4th - Engineering\Phase 3\STR_22-06-E217\STR_22-06-E217.dwg