

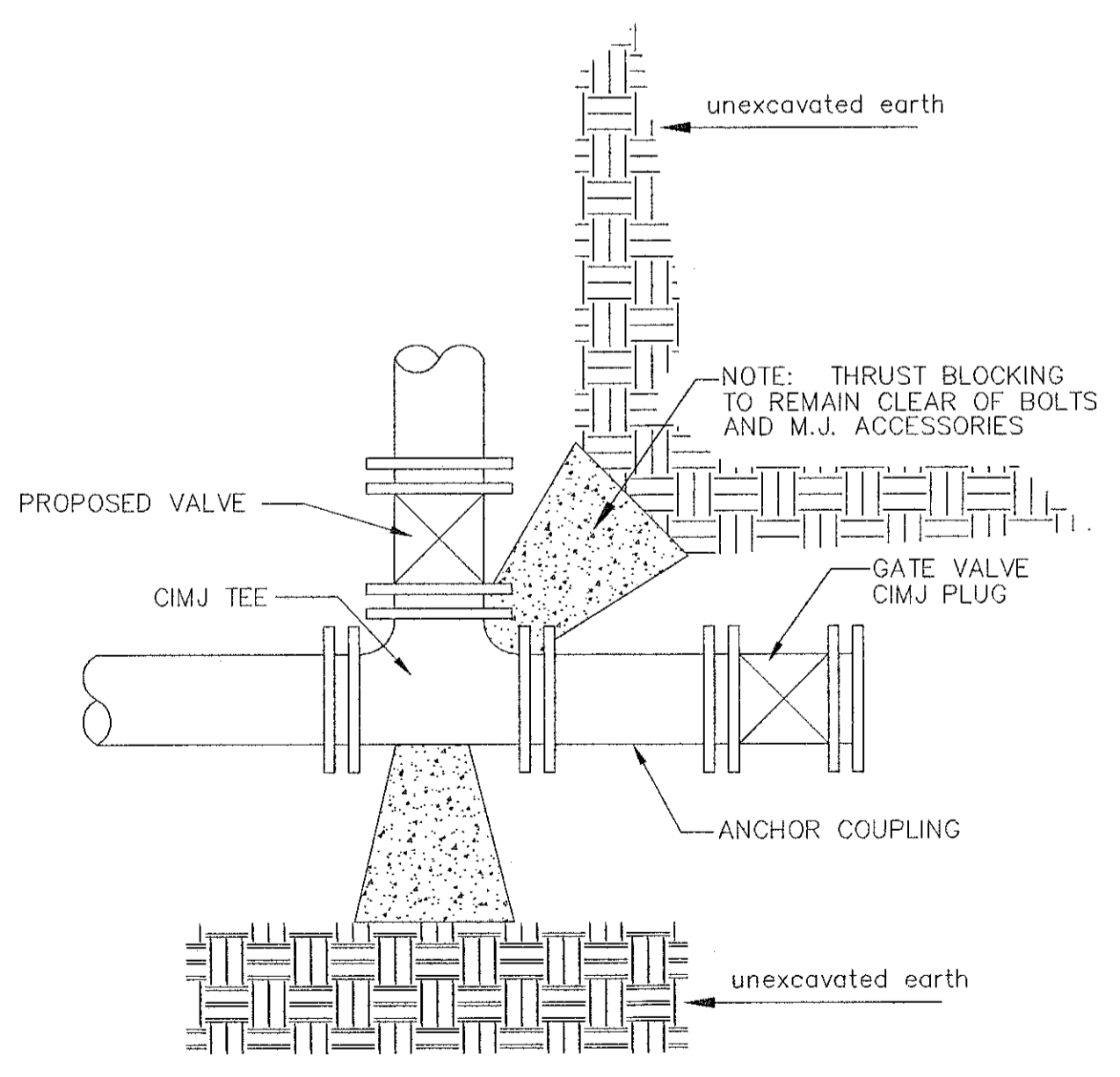
Note: Encasement to begin and end at a Bell on Sanitary Sewer Pipe.

TRENCH COMPACTION IN ROAD RIGHT-OF-WAY

REINFORCED CONCRETE ENCASEMENT OF SANITARY SEWER

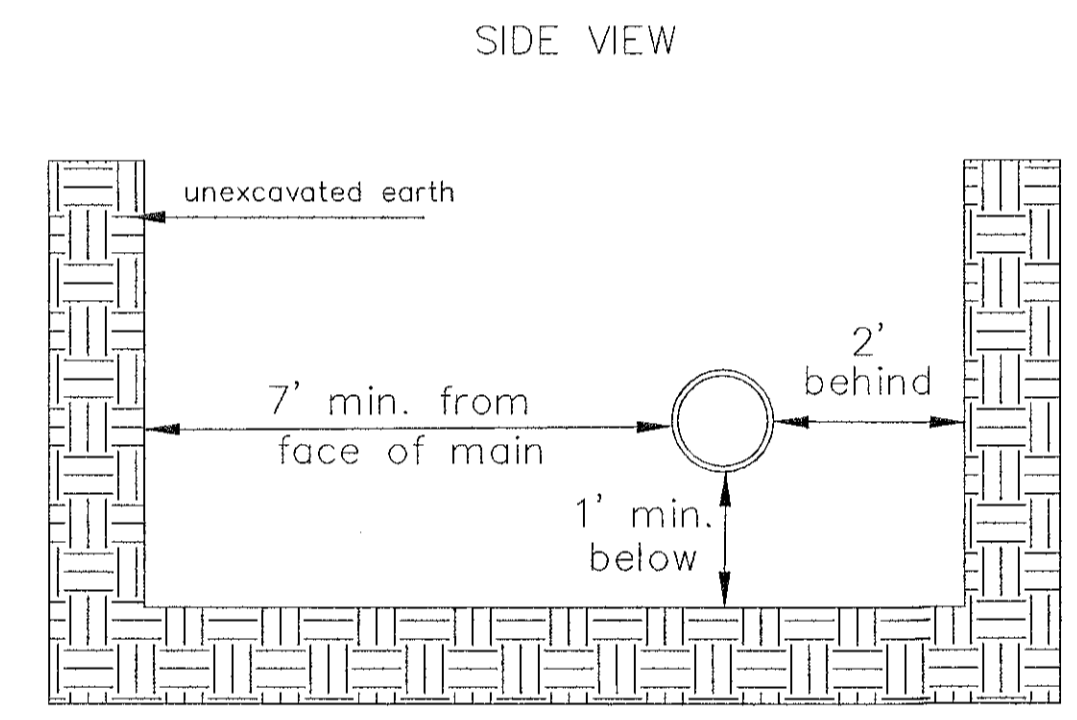
PIPE SIZE	THRUST AT FITTINGS IN TONS--AT 150#/IN ² P					
	PLUG	90°	45°	22 1/2°	11 1/4°	TEE
6"	2.8	3.95	2.15	1.09	.55	2.8
8"	4.9	6.95	3.75	1.90	.96	4.9
12"	11.4	16.1	8.75	4.45	2.25	11.4
16"	20.15	28.5	15.4	7.85	3.95	20.15
20"	31.15	44.0	23.85	12.15	6.10	31.15
24"	44.55	63.0	34.1	17.4	8.75	44.55

TYPICAL THRUST BLOCKS

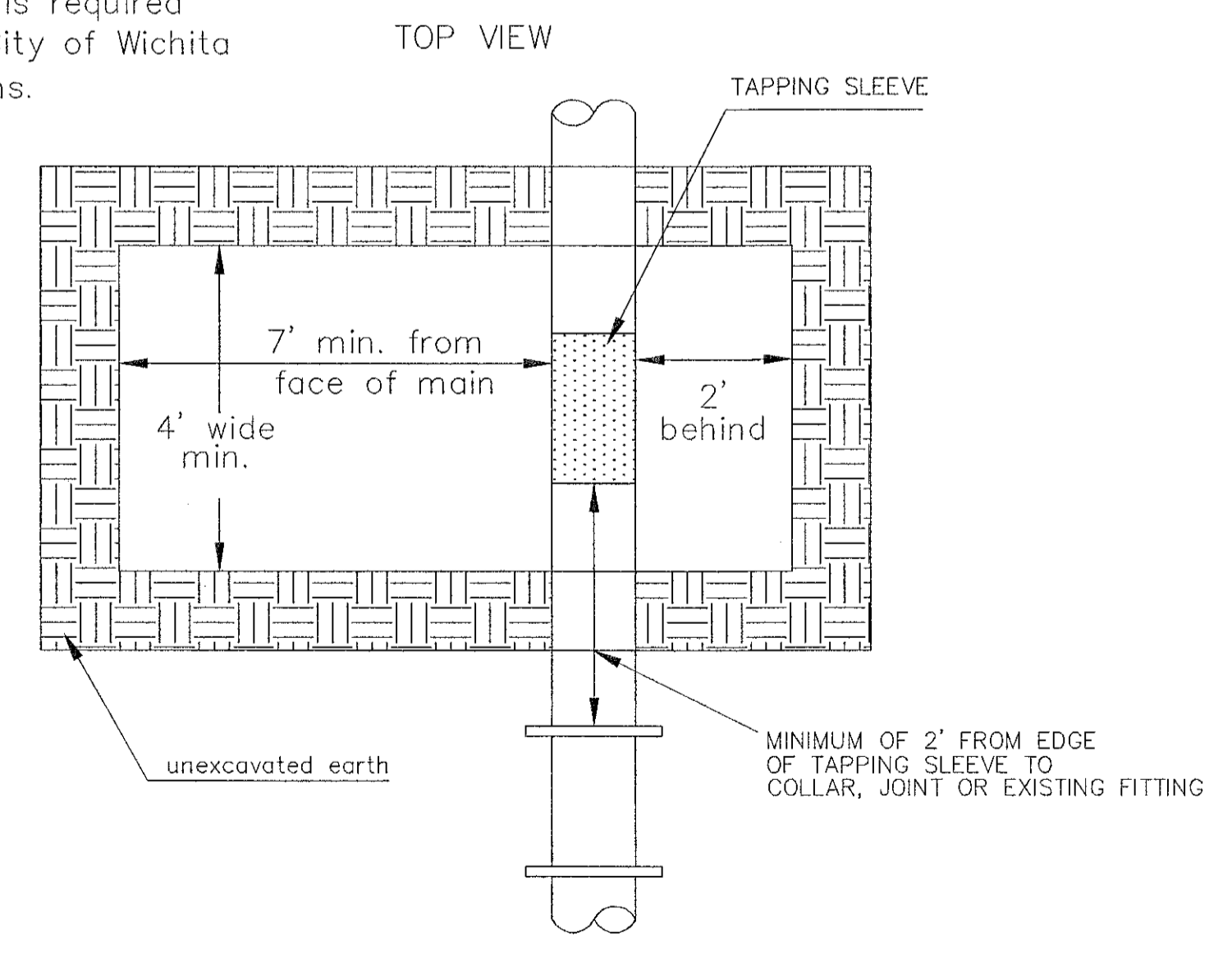


KEY BLOCK DETAIL

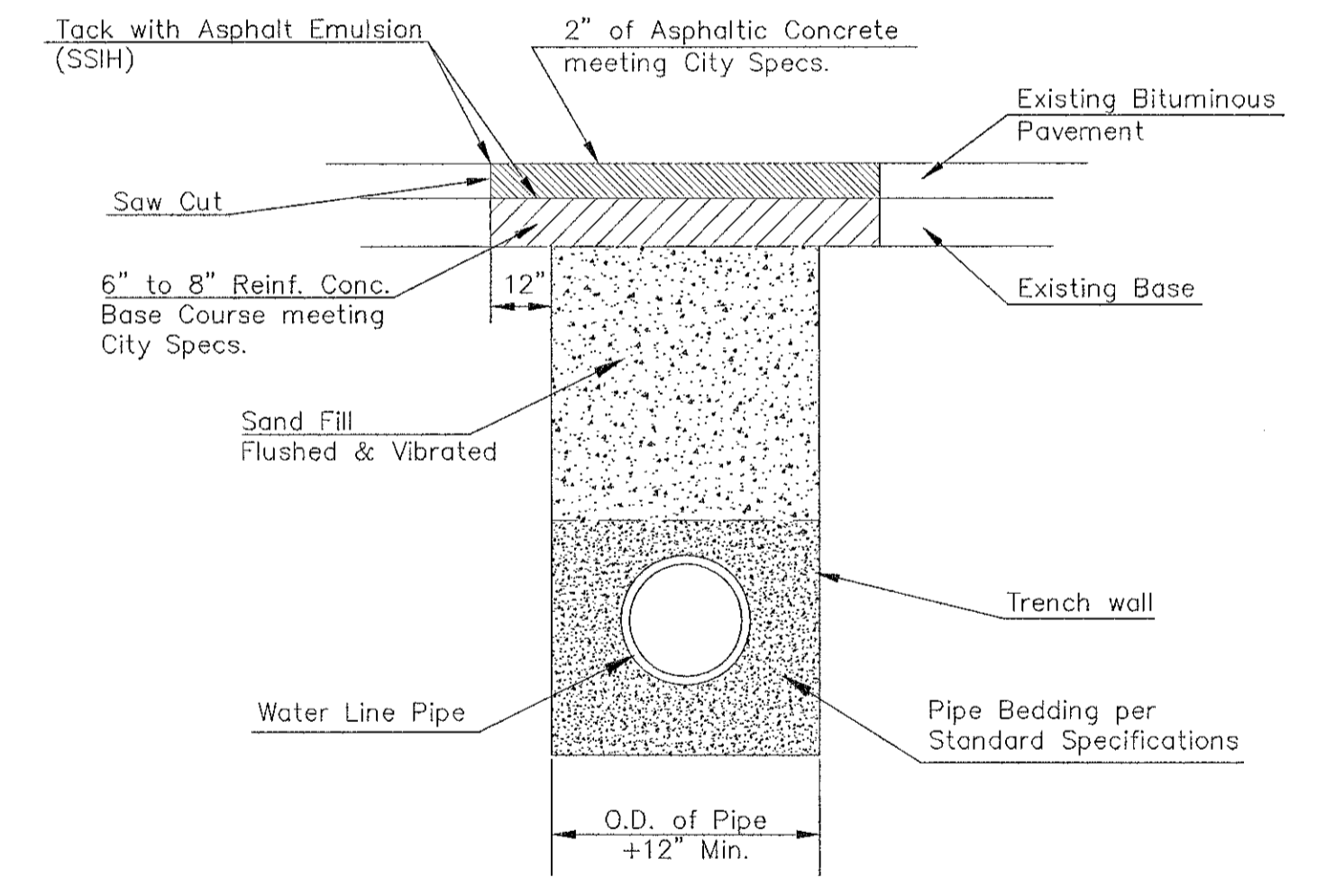
* PLANS GOVERN
UNLESS OTHERWISE NOTED ON PLANS



Note: When shoring is required it is to be per The City of Wichita Standard Specifications.

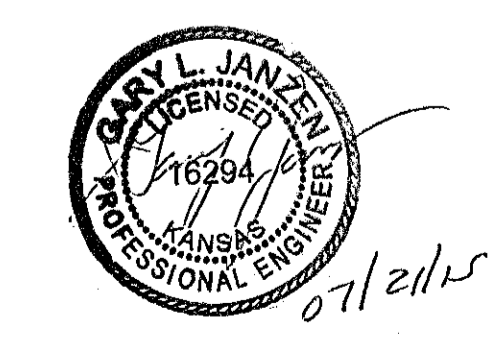


EXCAVATION FOR WET TAP



PAVEMENT REPLACEMENT & TRENCH COMPACTION UNDER EXISTING AND PROPOSED CITY ROADS

REVISED: JULY 2015



 CITY OF WICHITA PUBLIC WORKS & UTILITIES ENGINEERING DIVISION	MISCELLANEOUS WATER DETAILS CITY ENGINEER GARY JANZEN, P.E.	
	PROJECT NUMBER	OCA NUMBER
CITY ENGINEER'S OFFICE CITY HALL - SEVENTH FLOOR 455 NORTH MAIN STREET WICHITA, KANSAS 67202-1620 (316) 268-4501		SHEET 10 of 20