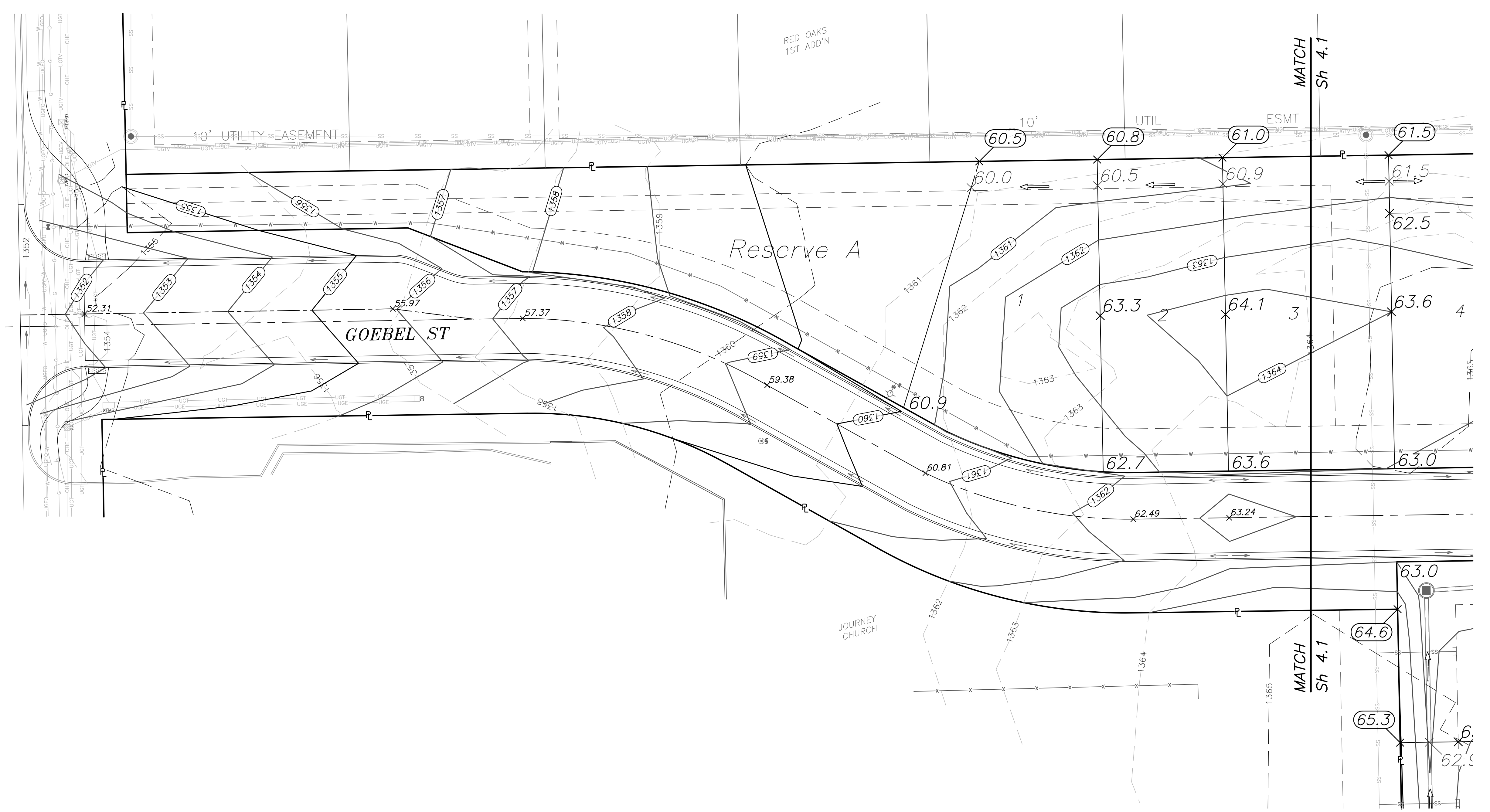


HARRY ST



LEGEND

CONTOURS

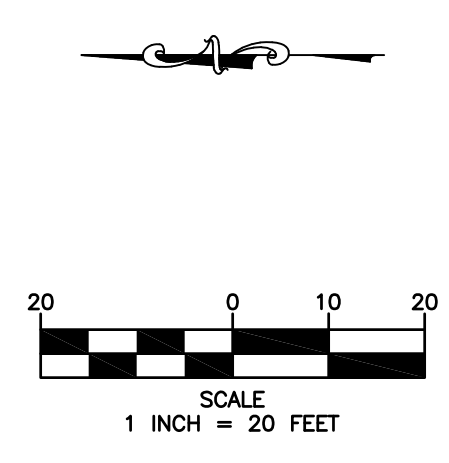
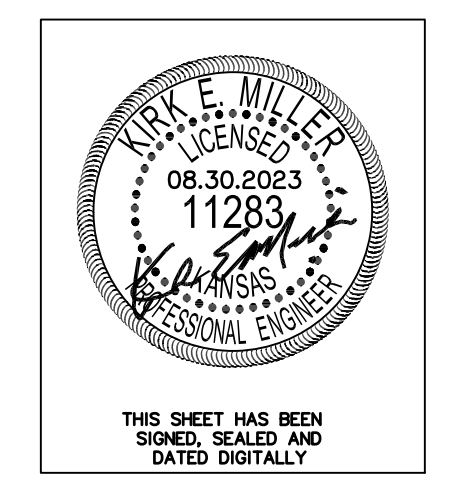
EXIST. ——— XXXX

PROP. ——— (XXX)

SPOT GRADES

PROPOSED XX.X

MATCH EXISTING (XX.X)



Buena Vista Addition
Mass Grading Plan
Wichita, Kansas

<small>117 E. Lewis, Wichita, KS 67202 (316)264-0242</small>		
KEM PROJ. 18085	DATE 05.2023	SHEET 4.0
DESIGN KEM	DRAWN ZJS	

September 1, 2023