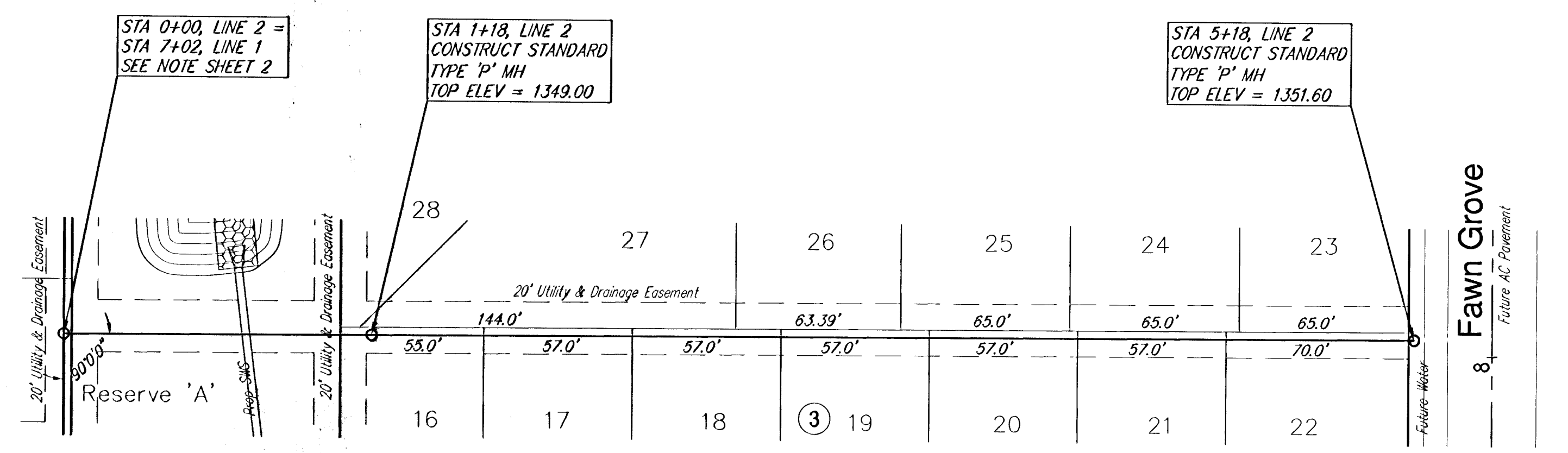
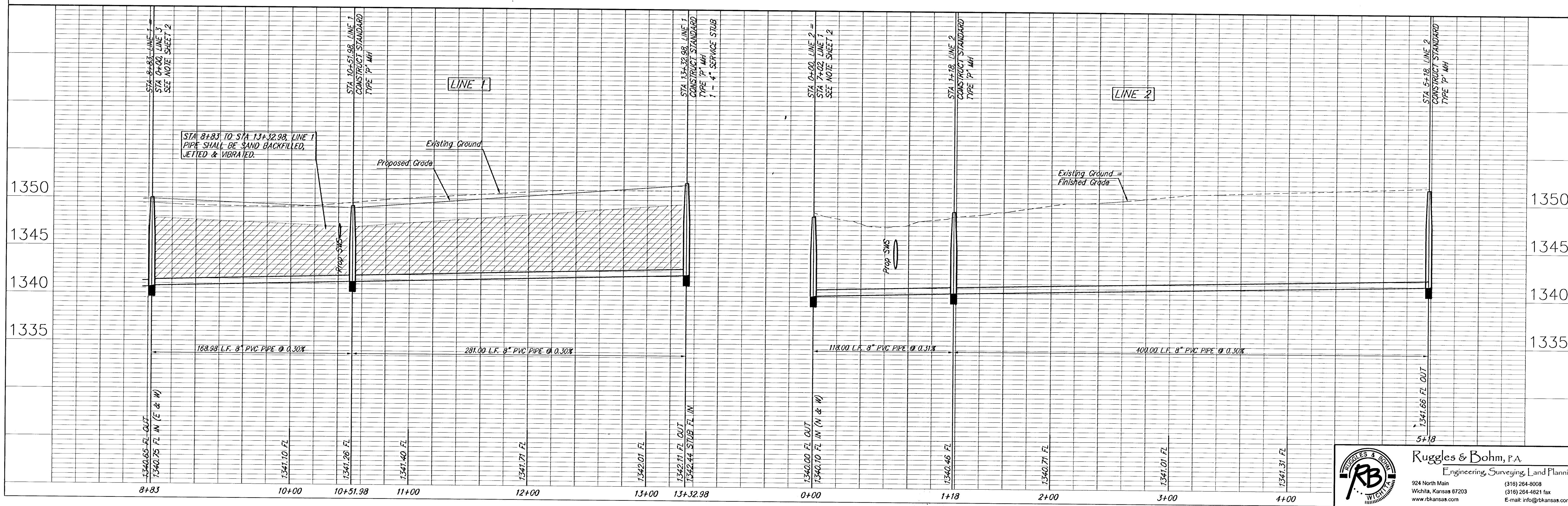


Fawn Grove at Sunset Lakes

STA 8+83 TO STA 13+32.98, LINE 1  
PIPE SHALL BE SAND BACKFILLED,  
JETTED & VIBRATED.



Fawn Grove at Sunset Lakes



REVISION	DATE	REVIEW
DOWN	June 13, 2006	
ISSUED		
EUC		
UTILITY		
PROJECT NUMBER: 468-8465		
DRAWING FILE: Sanitary (SS Line 1 & 2)		
FAWN GROVE PHASE 3		
Sanitary Sewer Line 1 & 2		
WICHITA, KANSAS		
RB JOB	2868E	
SHEET	3	
OF	11	

**Ruggles & Bohm, P.A.**  
 Engineering, Surveying, Land Planning  
 924 North Main  
 Wichita, Kansas 67203  
 www.rbkansas.com  
 (316) 264-8008  
 (316) 264-4621 fax  
 E-mail: info@rbkansas.com