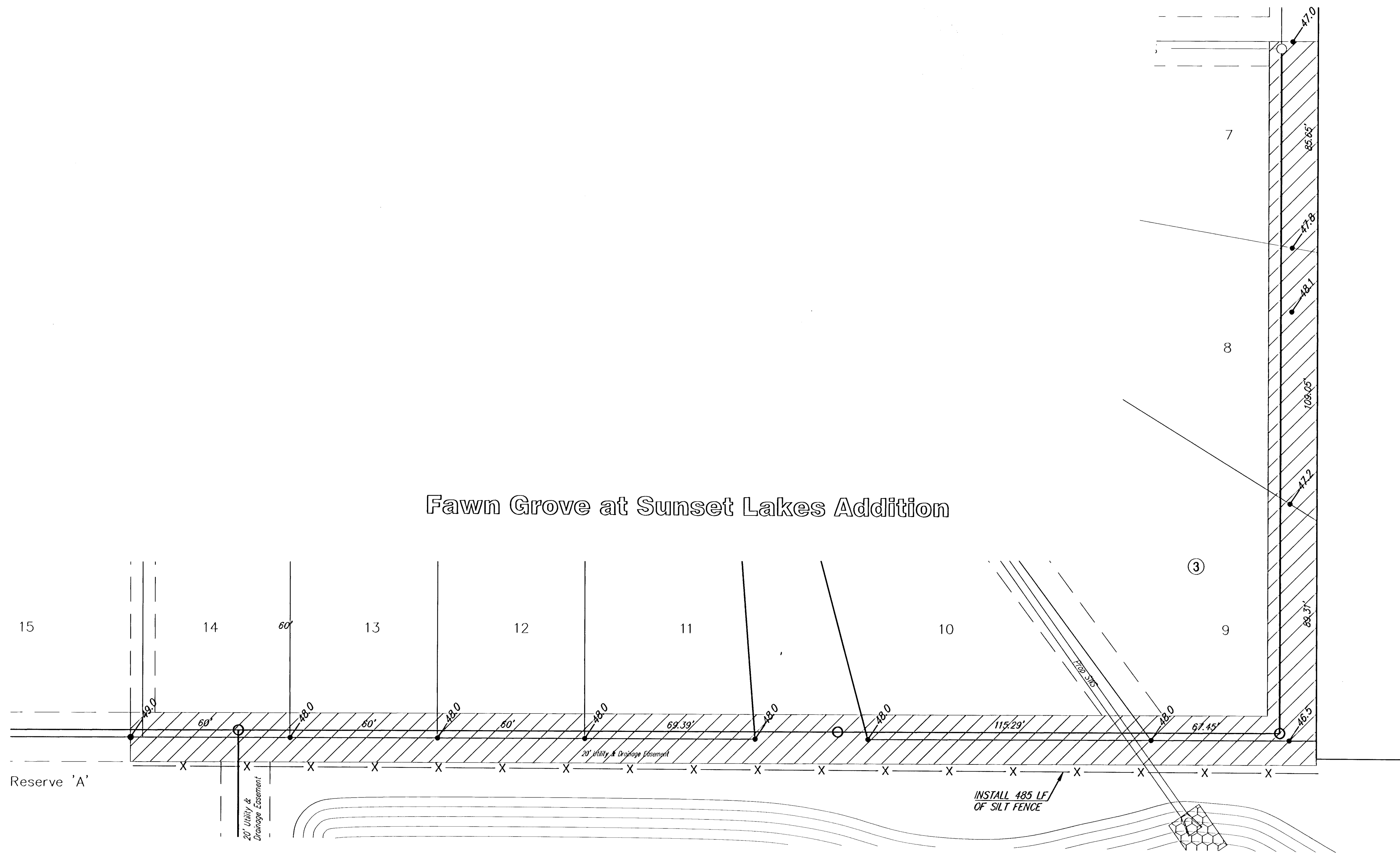
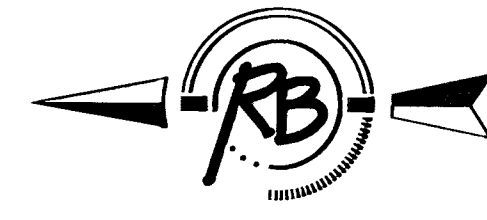
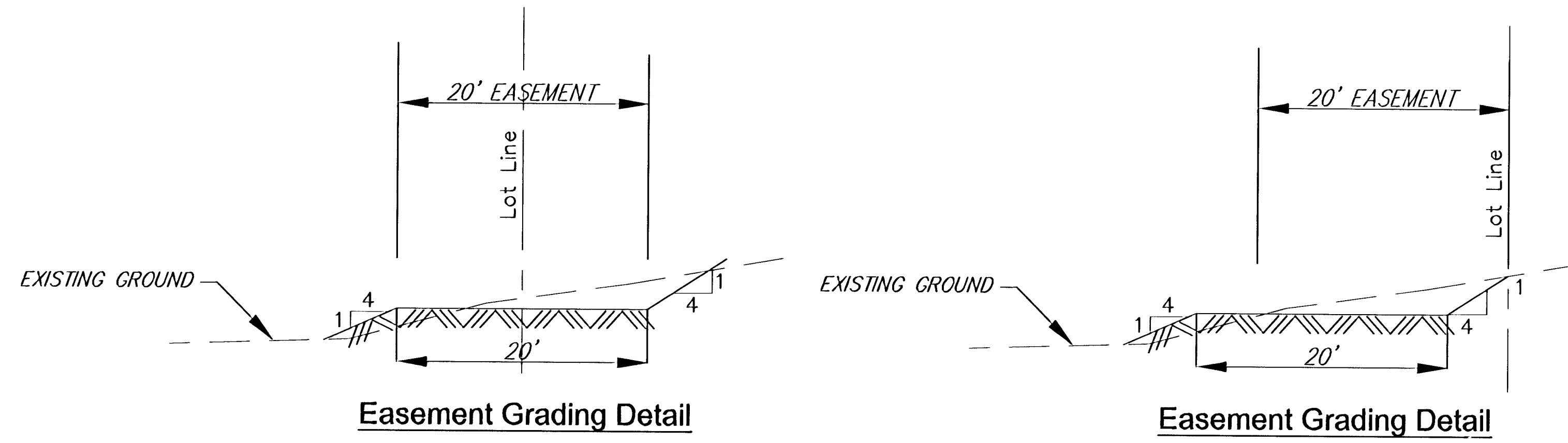


### Fawn Grove at Sunset Lakes Addition



Unplatted



NOT TO SCALE

FOR INFORMATION ONLY:  
 Easement Grading  
 Cut: 500 yards  
 Fill: 300 yards  
 Excess cut can be wasted on unoccupied adjacent lots.

— X — Silt Fence

<b>Fawn Grove Addition                  Easement Grading                  WICHITA, KANSAS</b>			
	<b>Ruggles &amp; Bohm, P.A.</b> Engineering, Surveying, Land Planning		DESIGN E.J.G.
	924 North Main Wichita, Kansas 67203 www.rbkansas.com		(316) 264-8008 (316) 264-4621 fax E-mail: info@rbkansas.com
DRAWING FILE Sanitary [Easement Grading]	PROJECT NUMBER 468-84185	DATE June 13, 2006	SHEET 6 OF 11