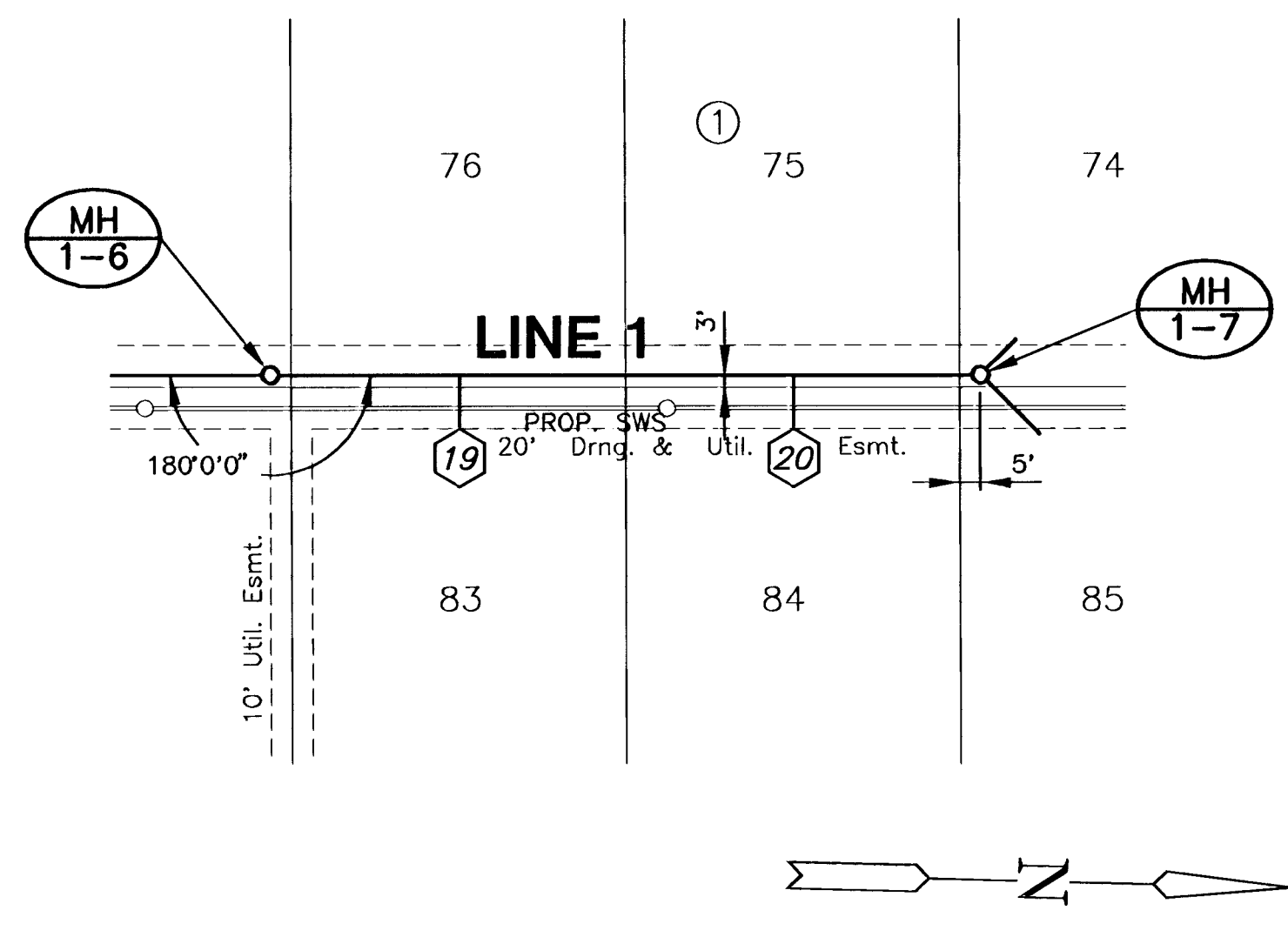
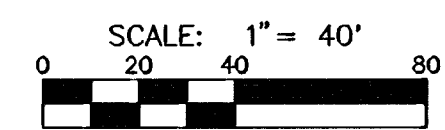


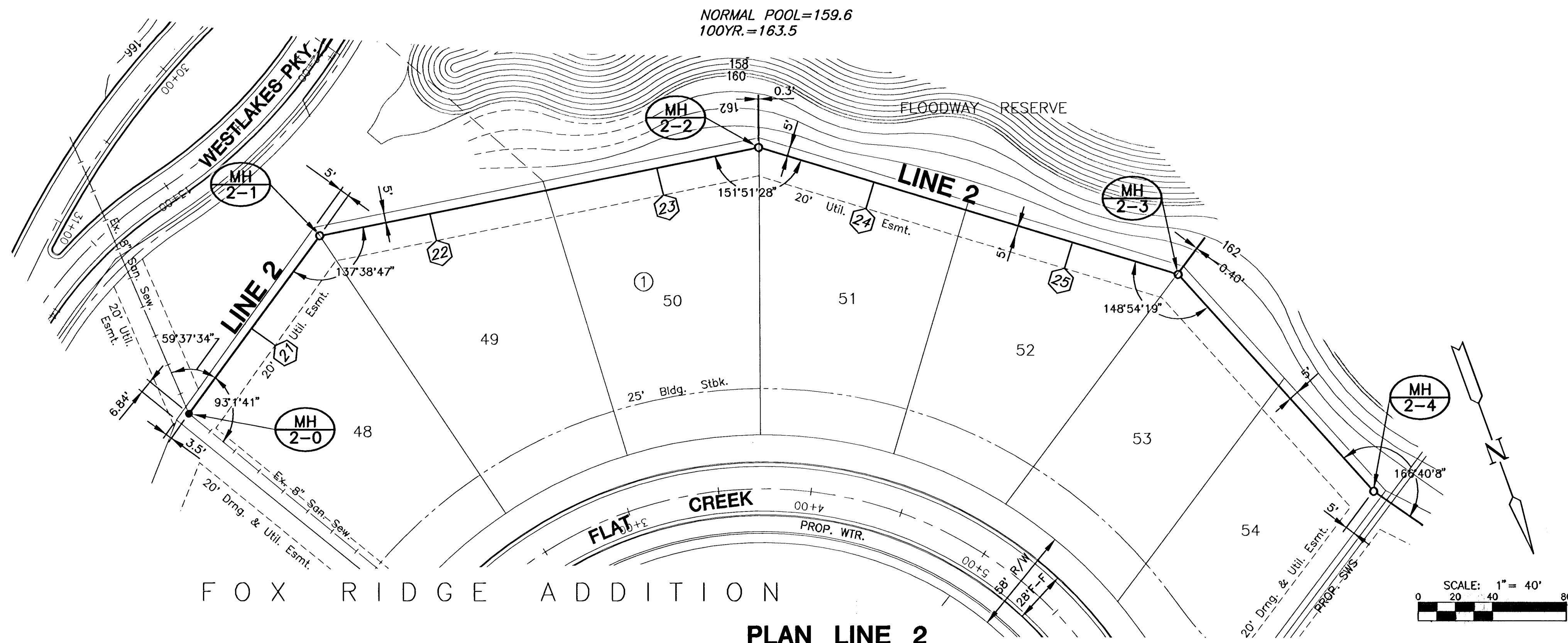
FOX RIDGE  
ADDITION



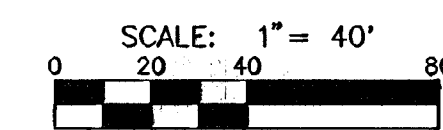
PLAN LINE 1



FOX RIDGE  
ADDITION

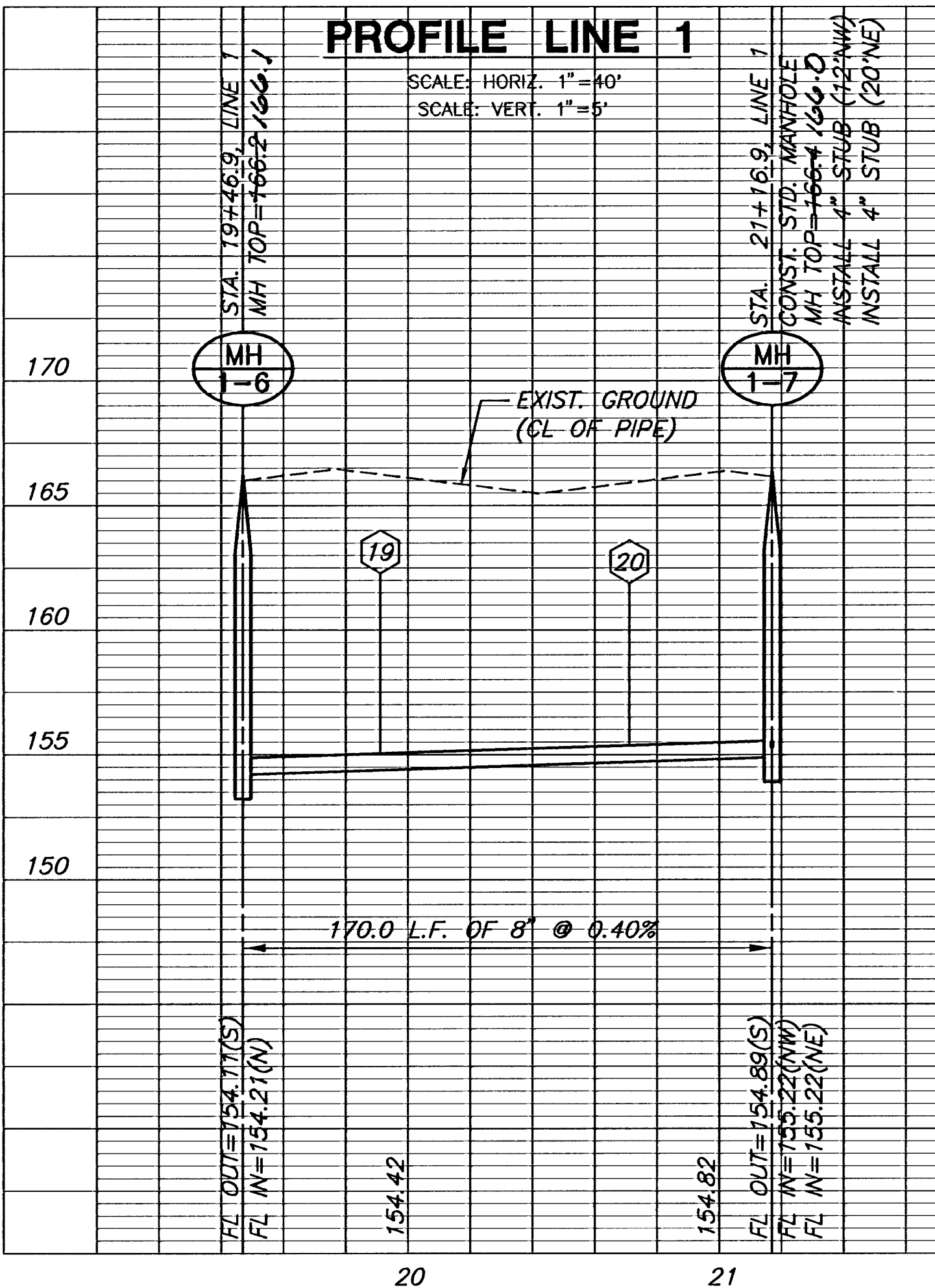


PLAN LINE 2



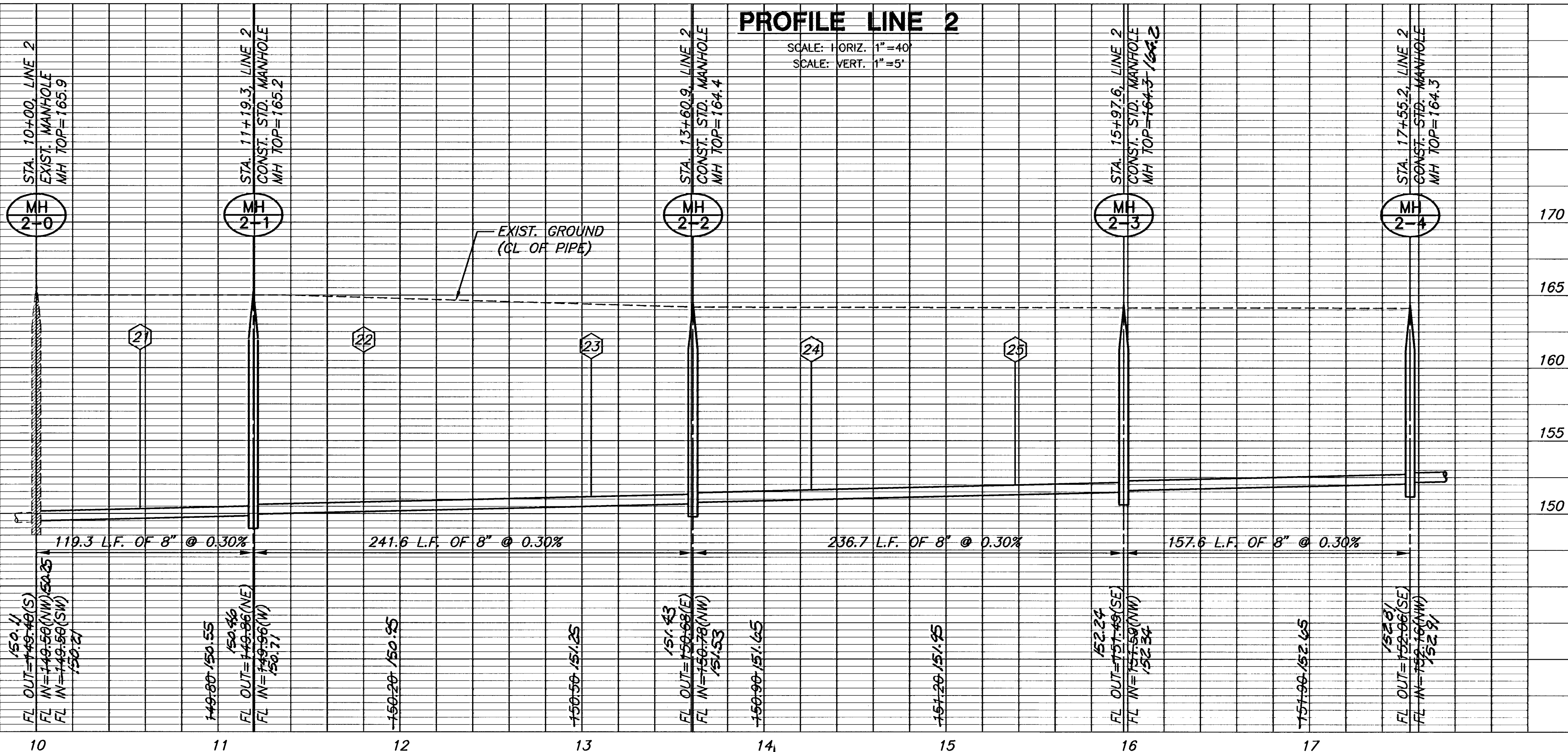
PROFILE LINE 1

SCALE: HORIZ. 1" = 40'  
SCALE: VERT. 1" = 5'



PROFILE LINE 2

SCALE: HORIZ. 1" = 40'  
SCALE: VERT. 1" = 5'



SANITARY SEWER PLANS  
**FOX RIDGE**  
PHASE 9

**LINE 1 & 2**  
SHEET TITLE  
468-84202  
PROJECT NUMBER

DESIGN BY: DFL  
DRAWN BY: MKEC  
CHECKED BY: GJA

ISSUED: JULY 2006  
REVISED:

SHEET NO.  
5 of 14