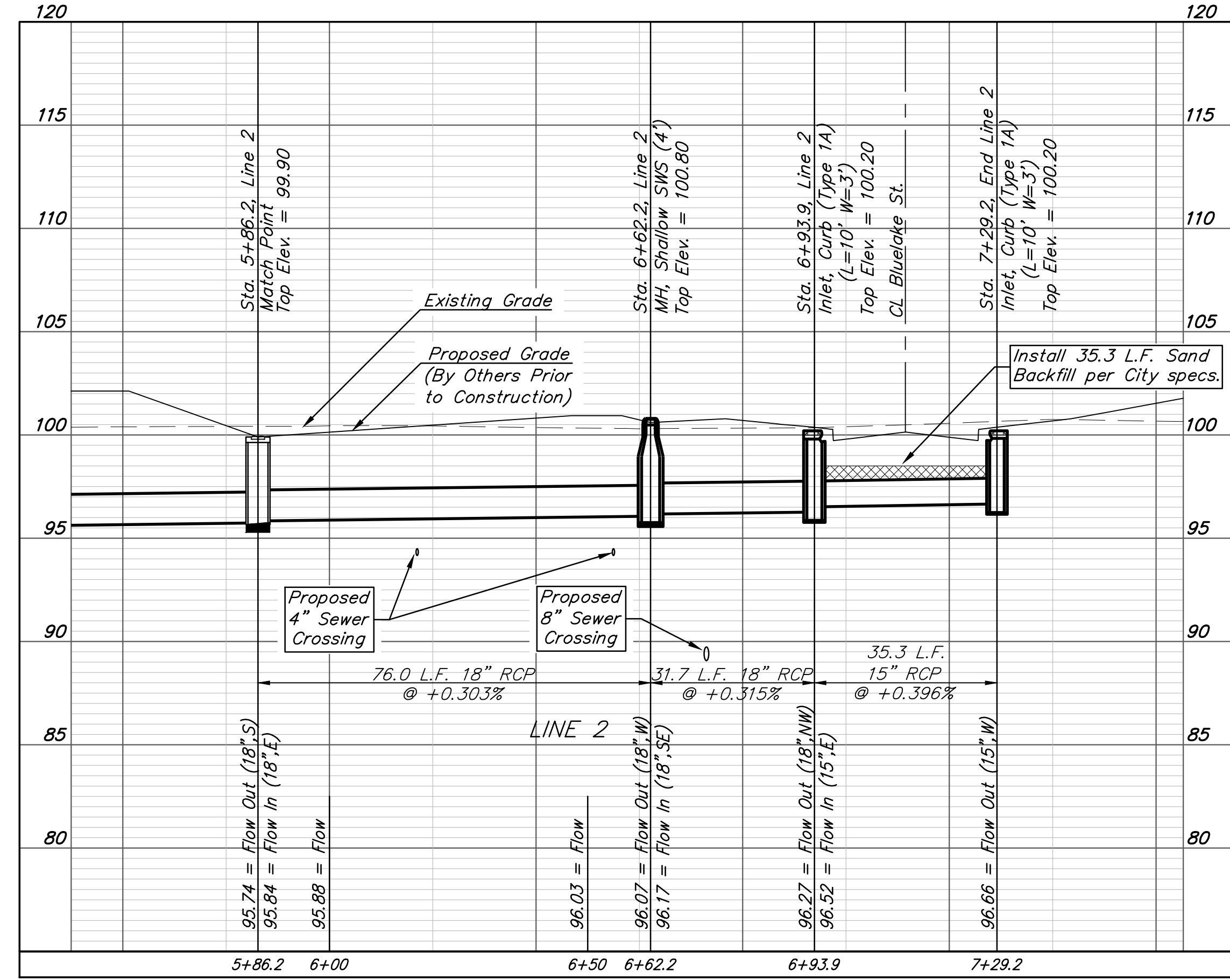
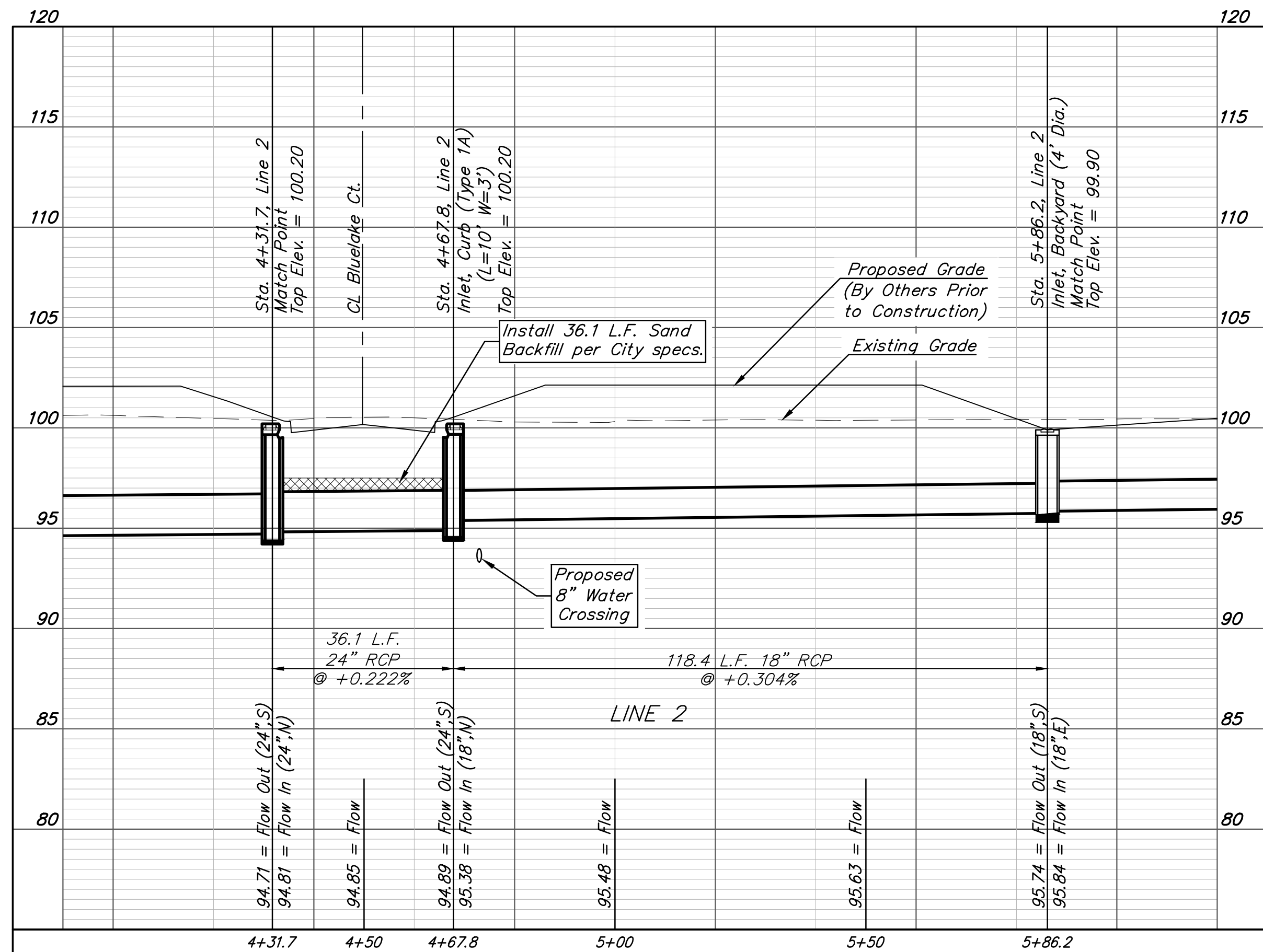
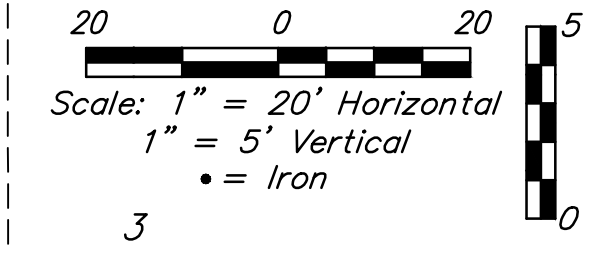
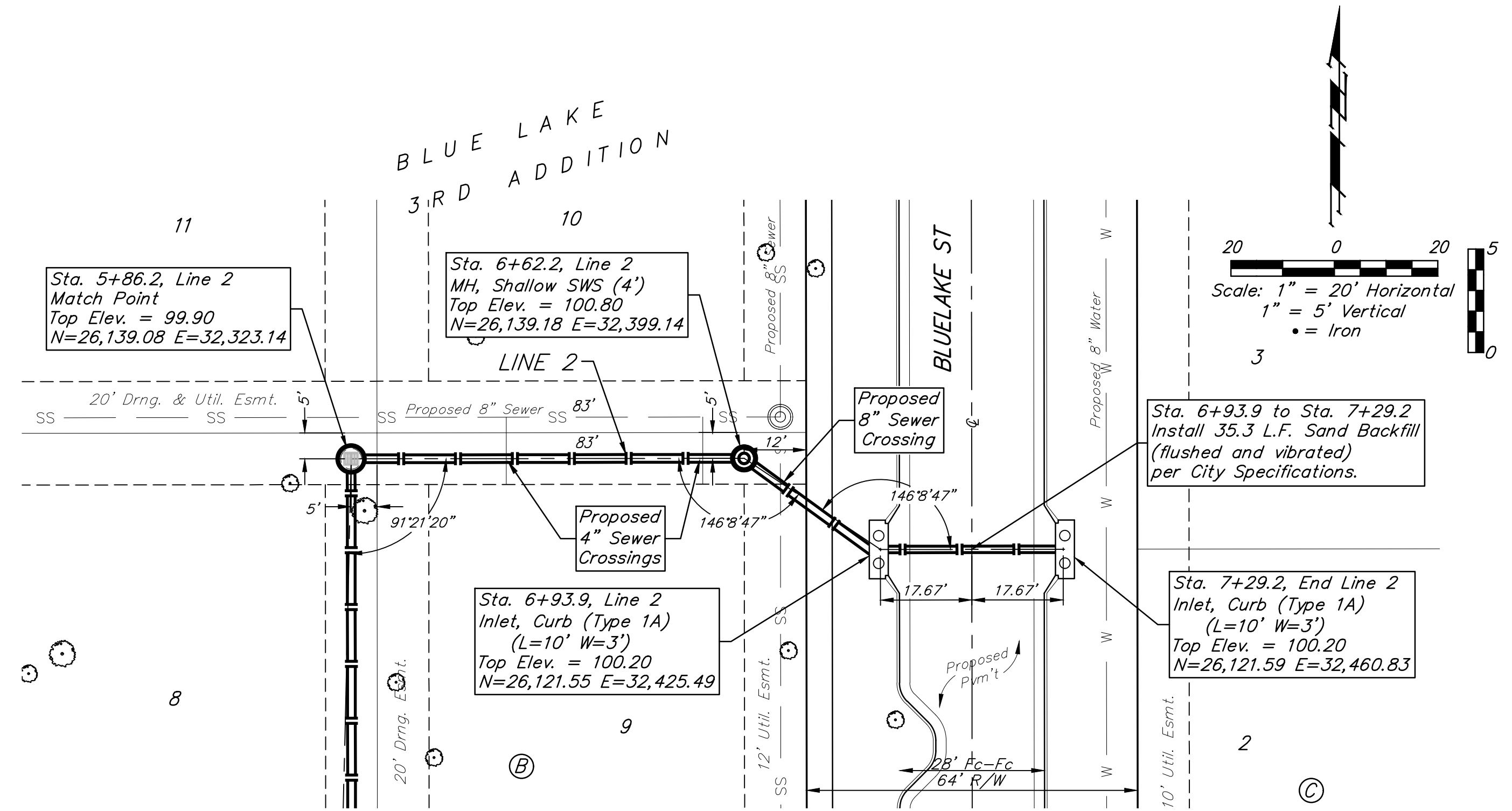
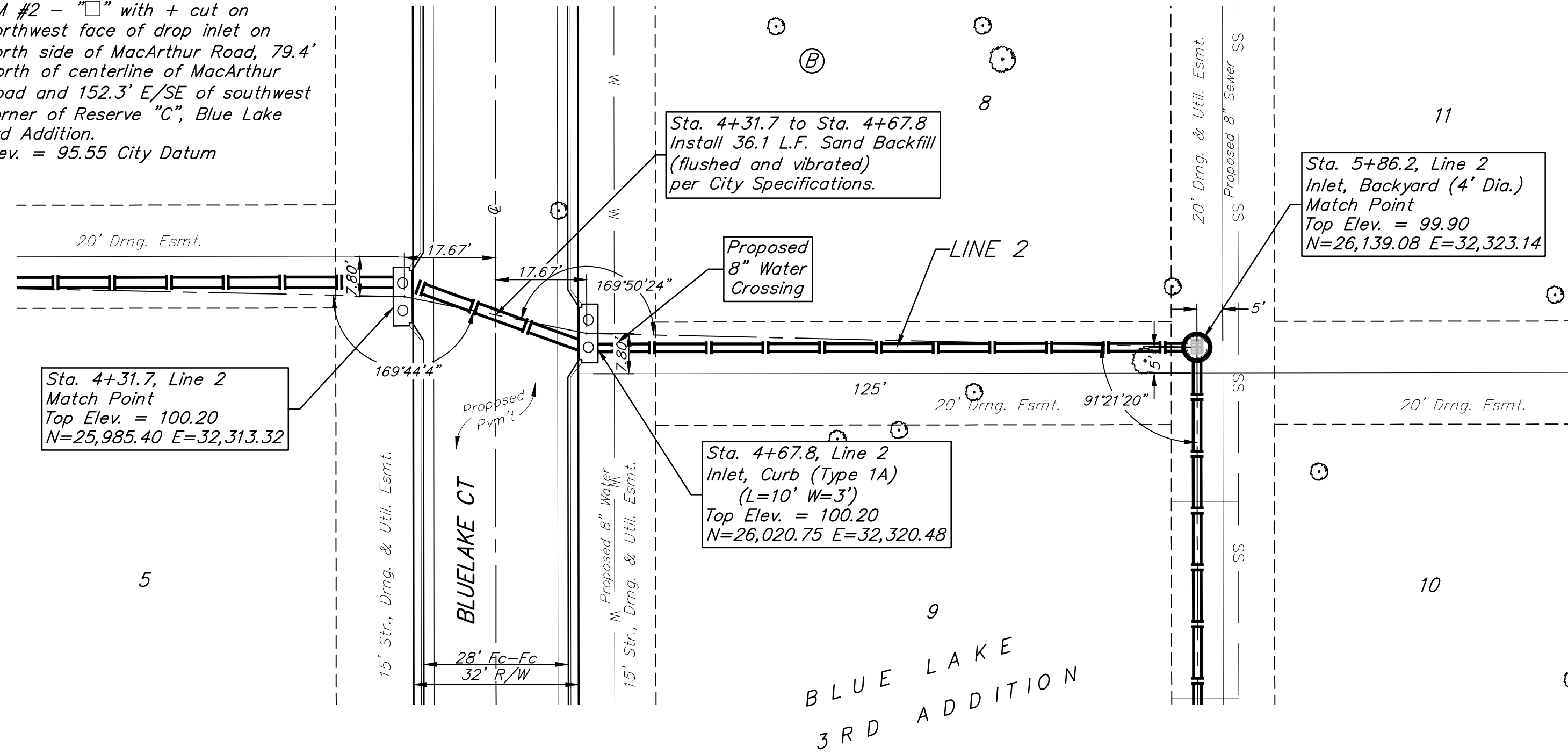


BENCHMARKS:
 BM #1 - "+" on north side of manhole rim ~42' east and 28' south of the intersection of MacArthur & Bluelake St.
 Elev. = 99.97 City Datum

BM #2 - "□" with + cut on northwest face of drop inlet on north side of MacArthur Road, 79.4' North of centerline of MacArthur Road and 152.3' E/SE of southwest corner of Reserve "C", Blue Lake 3rd Addition.
 Elev. = 95.55 City Datum



BAUGHMAN COMPANY
 315 Ellis St.
 Wichita, KS 67211
 316-262-7271
 BaughmanCo.com

BLUE LAKE 3RD ADD.
 Phase 1
LINE 2
 STORM WATER SEWER IMPROVEMENTS
 PROJECT NUMBER:
 23-06-E530
 DESIGN: AEG DRAWN: TMS
 DATE: October 13, 2023
 SHEET **5** OF **27**

File: E:\Projects\Blue Lake 3rd Addition_22-02-P755\Engineering\Phase 1\SWIS 23-06-E530\SWIS.dwg