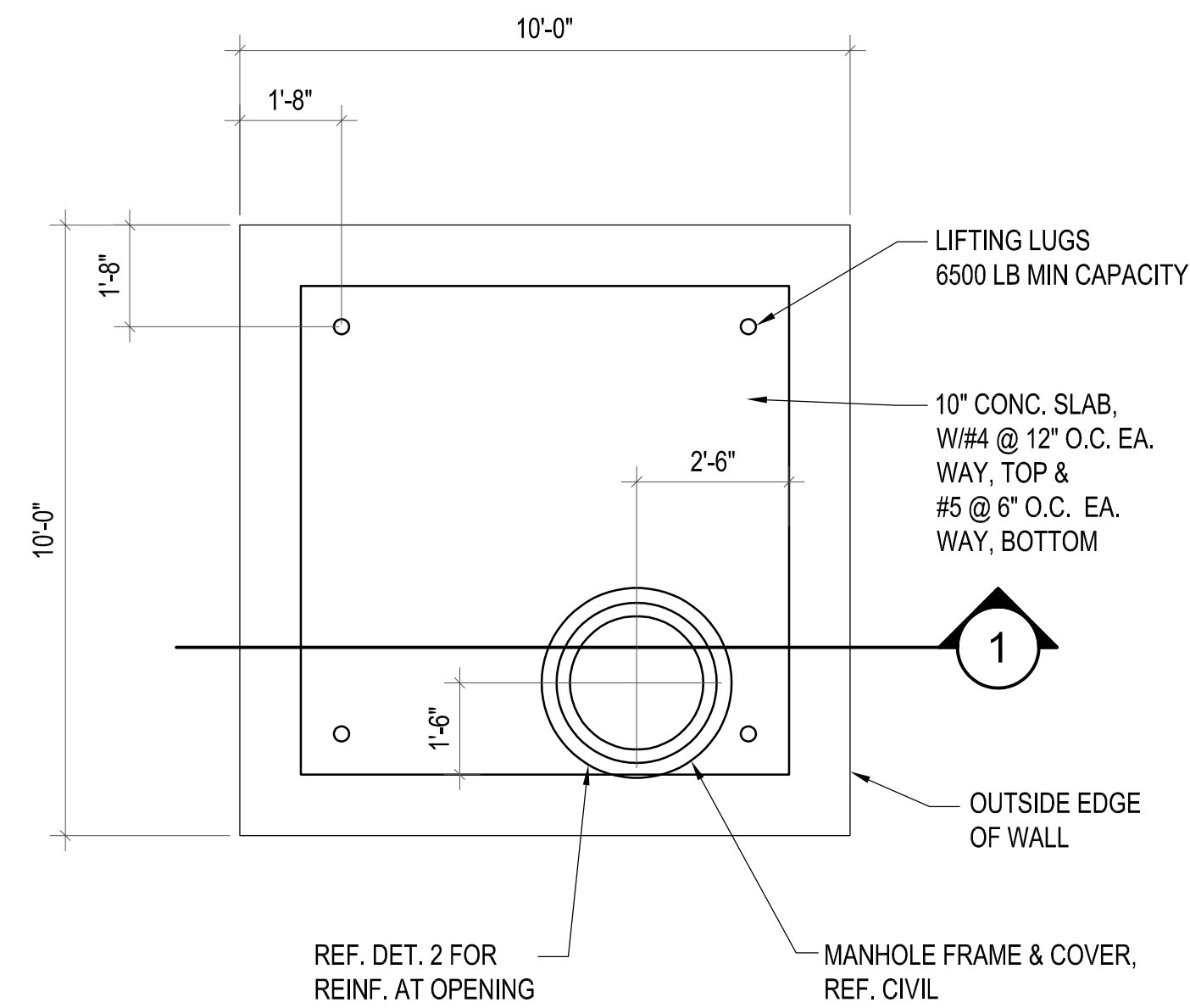
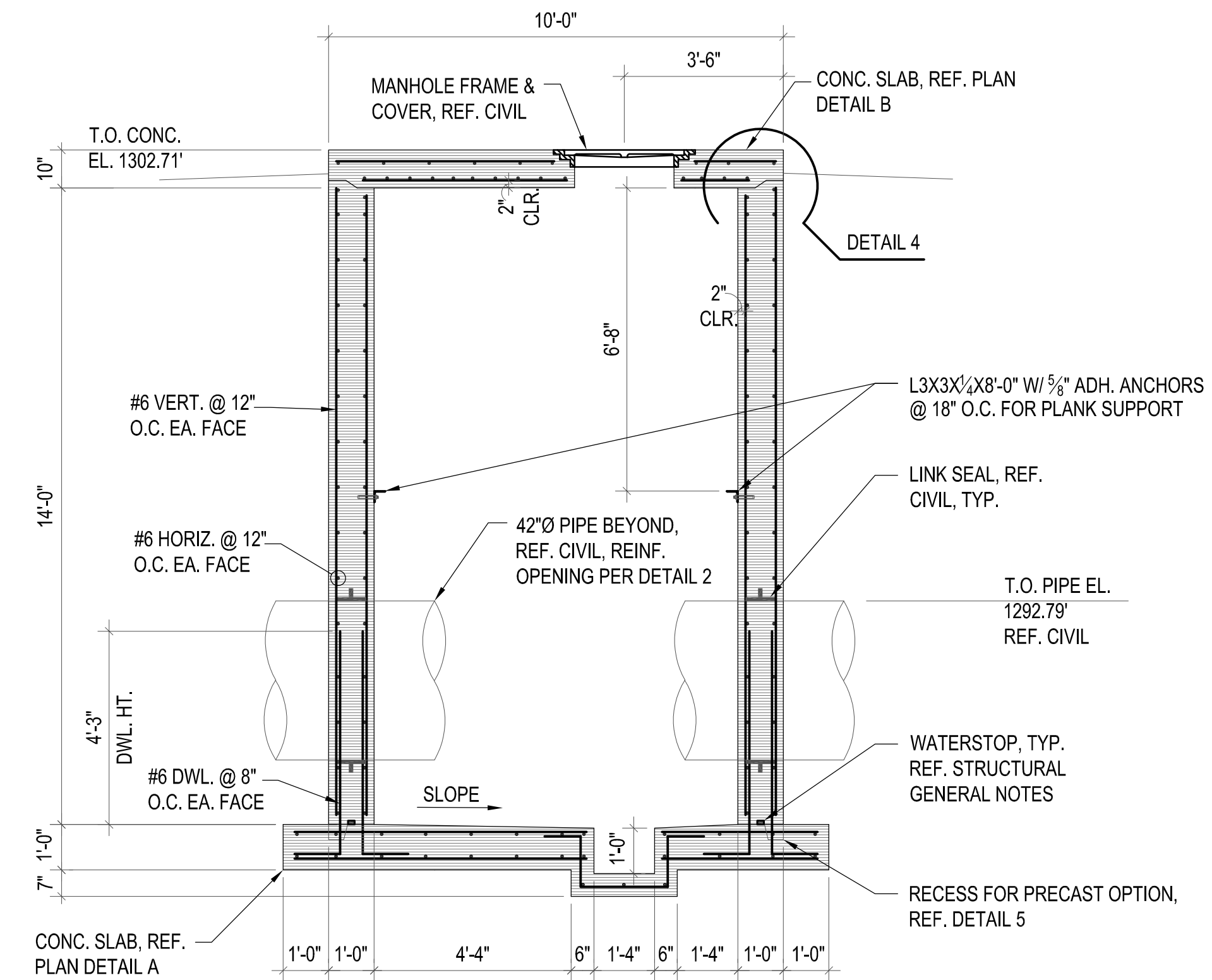


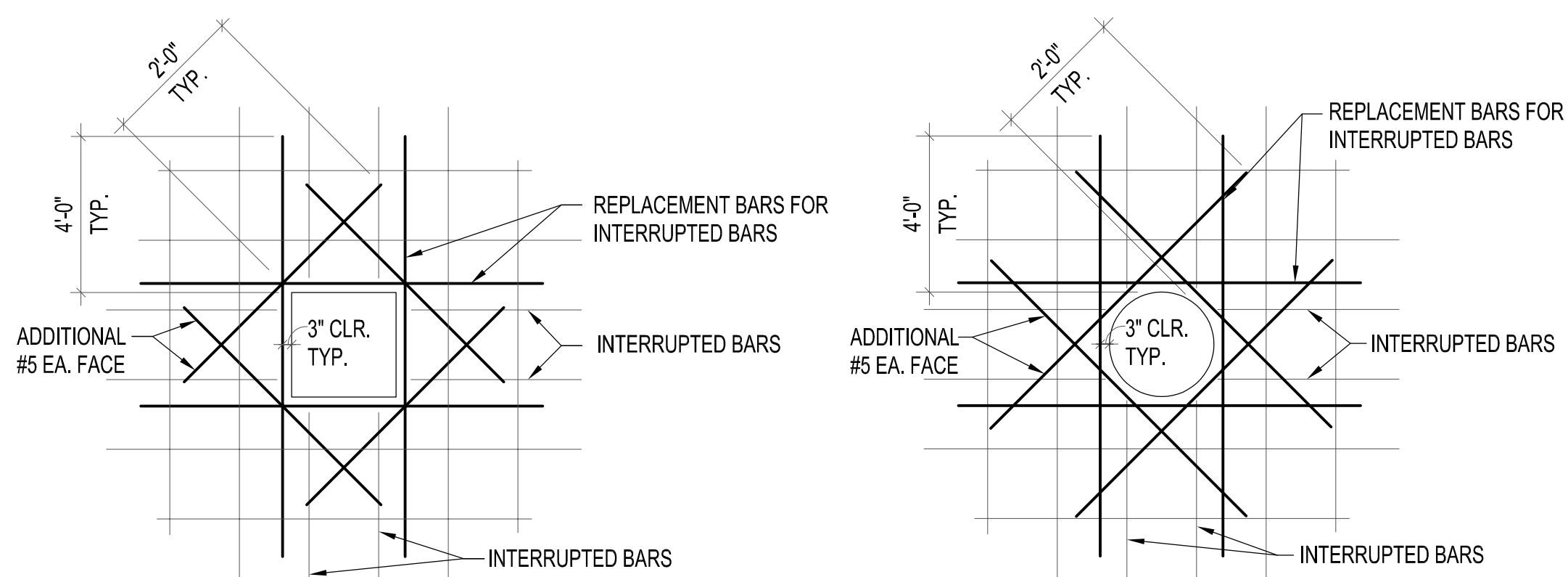
**A VAULT FOUNDATION PLAN**  
3/8"=1'-0"



**B VAULT COVER PLAN**  
3/8"=1'-0"



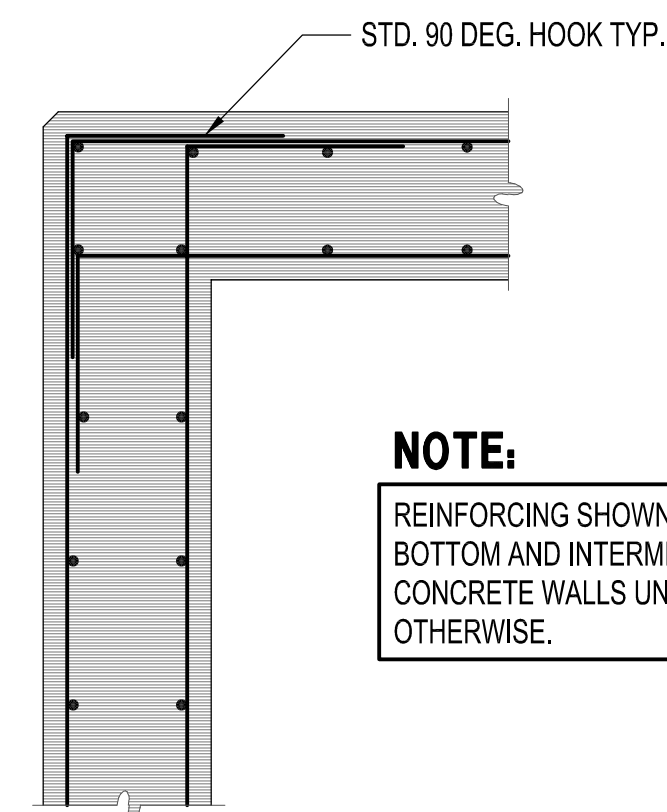
**1 VAULT SECTION**  
3/8"=1'-0"



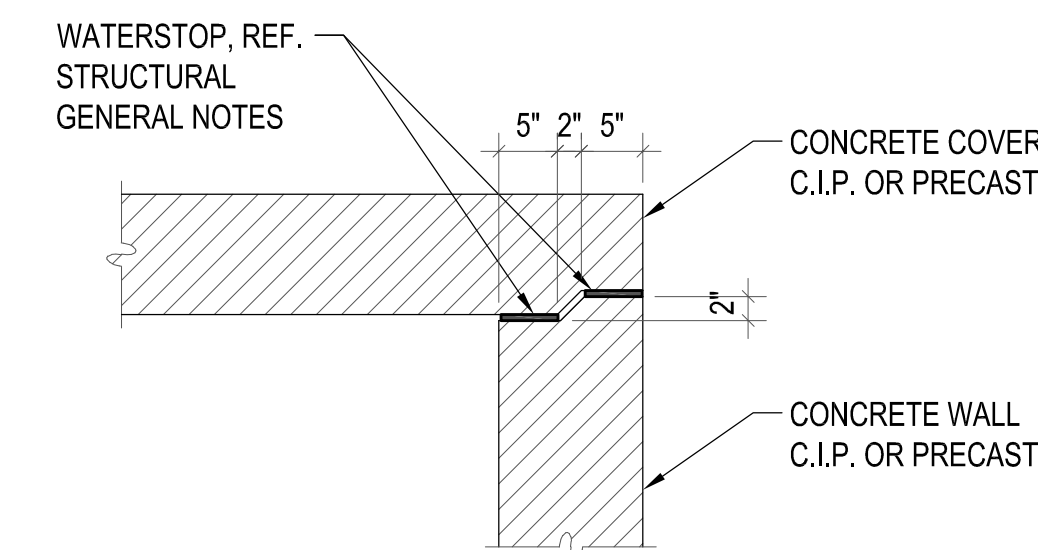
**NOTE:**

- USE THIS DETAIL FOR ALL OPENINGS IN CONCRETE WALLS AND SLABS GREATER THAN 6", PROVIDE 2-#5 ON DIAGONAL AT EACH CORNER AS SHOWN. EXTEND BARS 2'-0" PAST OPENING. REPLACE ALL VERTICAL AND HORIZONTAL BARS INTERRUPTED BY THE OPENING WITH AN EQUAL NUMBER AND SIZE BARS EVENLY DIVIDED ON EACH SIDE OF THE OPENING UNLESS NOTED OTHERWISE.
- REFER TO PLANS FOR OPENING LOCATIONS.

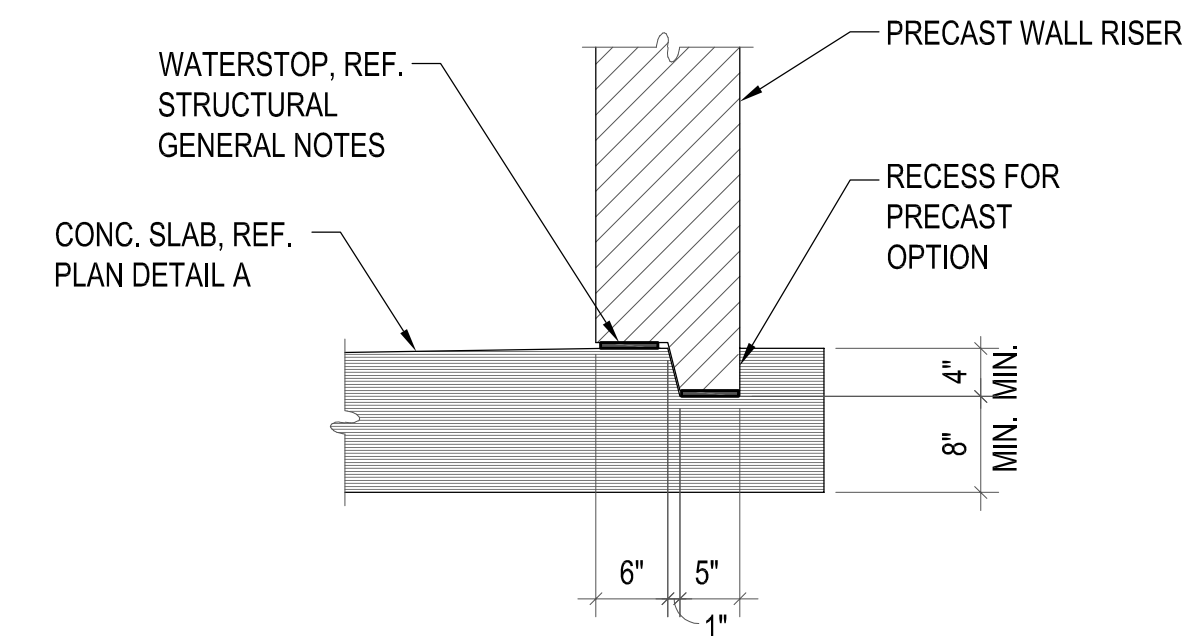
**2 WALL/SLAB OPENING REINFORCING**  
NO SCALE



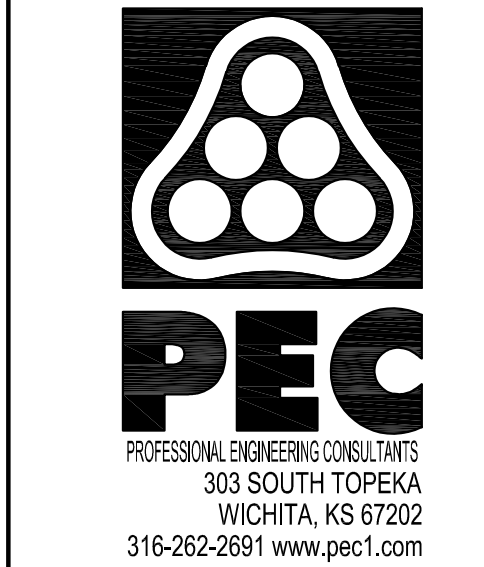
**3 CORNER AND INTERSECTION REINF.**  
NO SCALE



**4 COVER JOINT**  
3/4"=1'-0"



**5 PRECAST OPTION AT CONC. SLAB**  
3/4"=1'-0"



CONSTRUCTION PLANS

FOR  
**HESS PUMP STATION  
SITE VALVE REPLACEMENT  
(PHASE 1 AND 2)**

PAUL GUNZELMAN, P.E. - INTERIM CITY ENGINEER  
CITY OF WICHITA PROJECT NO. 448-2021-005881

Issue:	
JOB NO.	35-200335-004-0042
DATE	OCTOBER, 2023
PM	TBK
DESIGNED BY	DKC
DRAWN BY	DKC
CHECKED BY	KW

STRUCTURAL PLANS

SAVED 10/11/2023 5:51:29 PM BY DAVID CARPENTER  
PLOTTED 10/12/2023 8:38:15 AM BY DAVID CARPENTER  
U:\WICHITA-CIVIL\2020\200335\004\STRUC\DRAWINGS\CD\200335-004\_S102.DWG