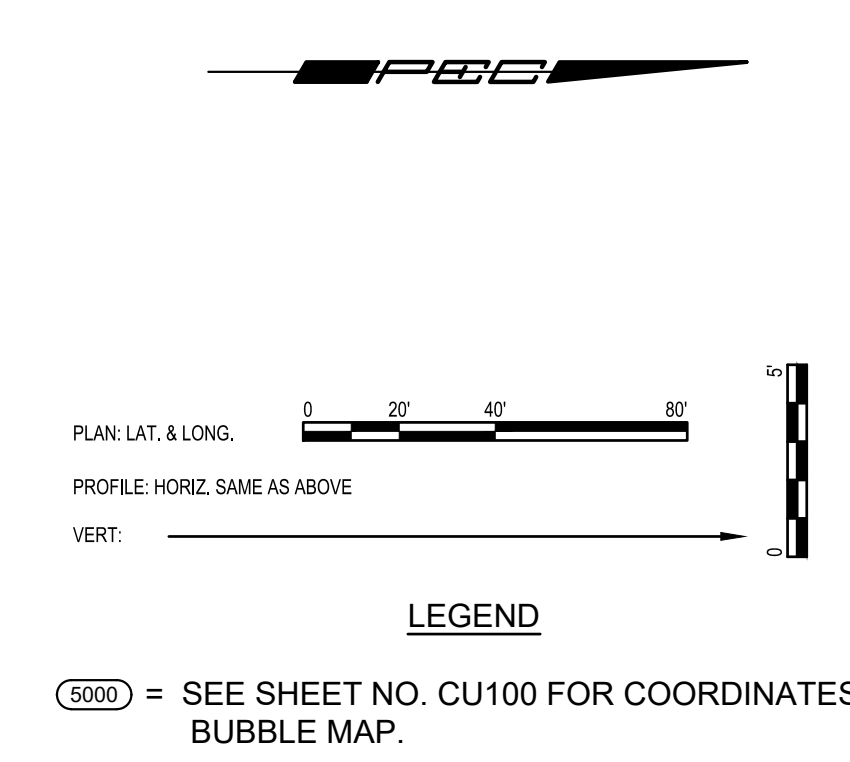
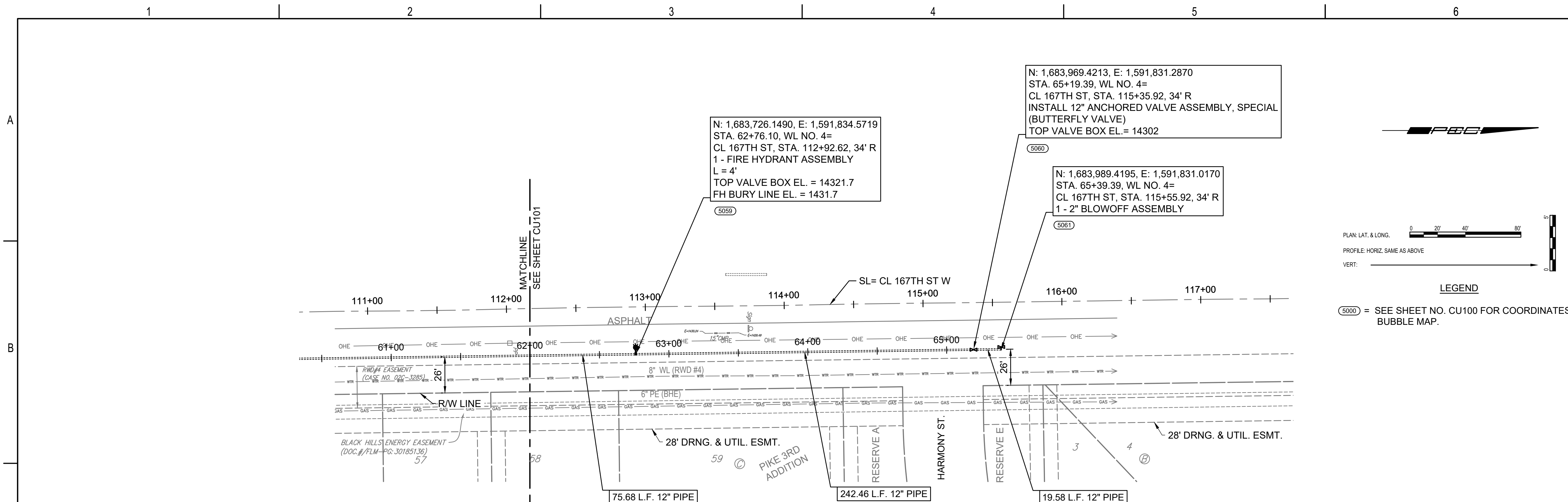
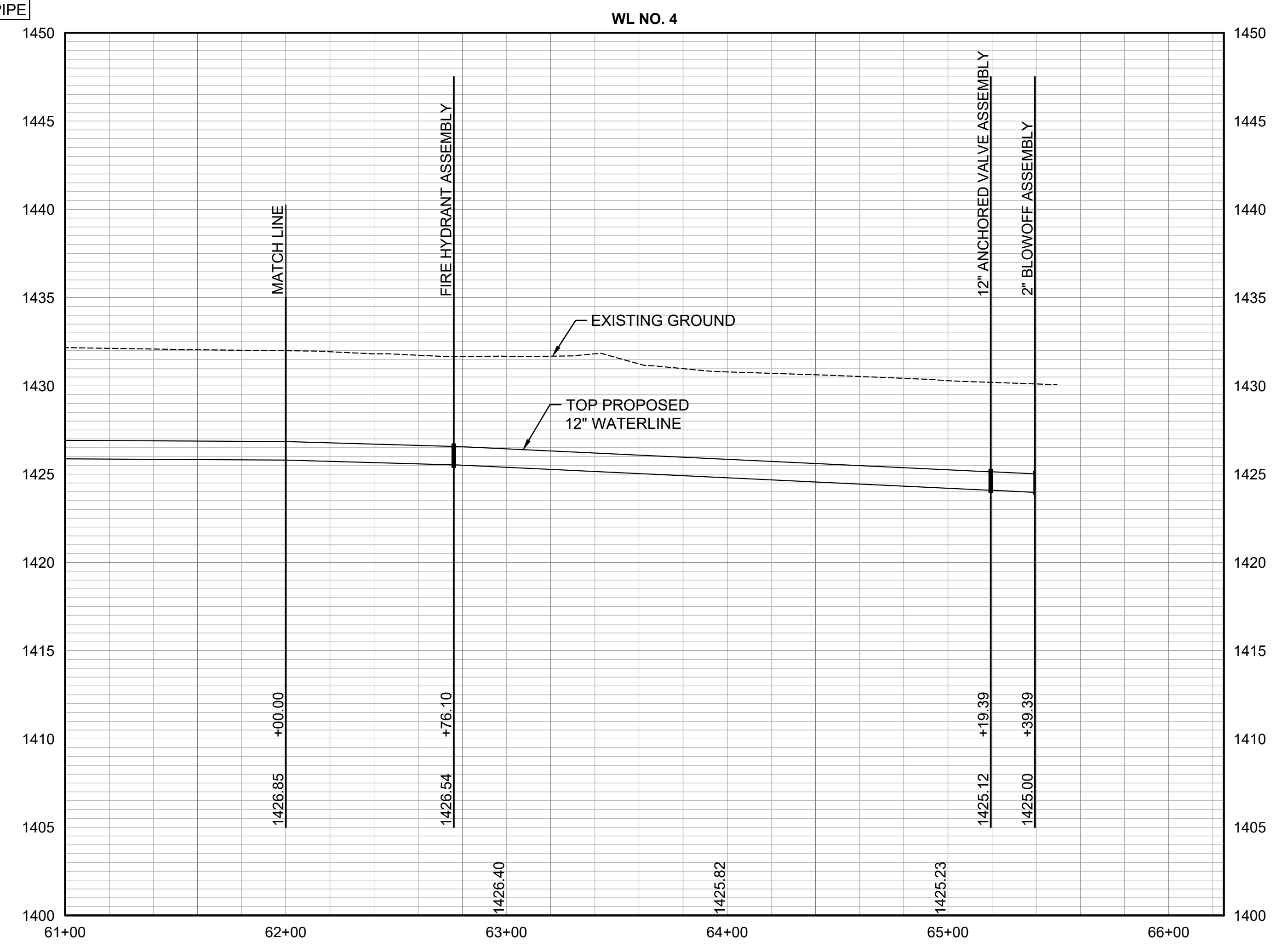
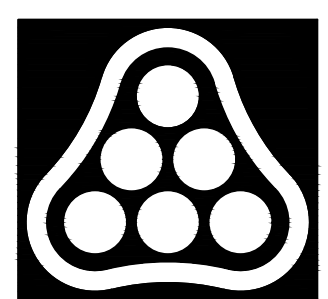


SAVED 10/10/2023 5:06:11 PM BY KURTIS DEKAT
 PLOTTED 10/17/2023 9:00:30 AM BY KURTIS DEKAT
 U:\WICHITA-CIVIL\2021\210975\008\PEC\DRAWINGS\210975-008-CU-103.DWG




UNLESS NOTED OTHERWISE,
 ELEVATIONS SHOWN ARE TOP OF PIPE

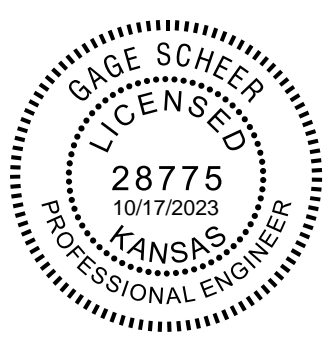




PEC
 PROFESSIONAL ENGINEERING CONSULTANTS
 303 SOUTH TOPEKA
 WICHITA, KS 67202
 316-262-2691 www.pec1.com



CITY OF WICHITA



WATER MAIN IMPROVEMENTS
 12" WATER MAIN ALONG 167TH ST. - W
 FROM MAPLE STREET TO HARMONY STREET

PAUL GUNZELMAN, P.E. - CITY ENGINEER
 CITY OF WICHITA PROJECT NO. 448-2023-021493

JOB NO.	210975-008
DATE	SEPTEMBER 2023
PM	GAS
DESIGNED BY	KJW
DRAWN BY	AJH
CHECKED BY	AMD

WATERLINE NO. 4

CU103