

CONSULTANTS:

WEST STREET IMPROVEMENTS  
 FROM PAWNEE TO HARRY

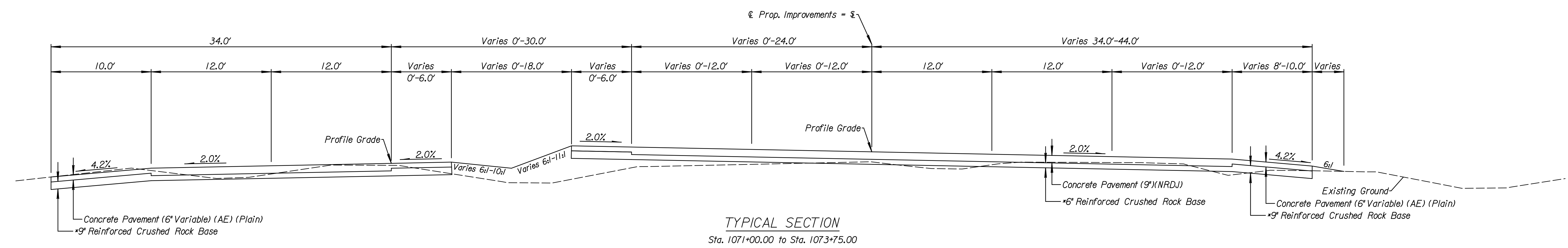


REVISIONS:	MARK	DATE	DESCRIPTION

PROJ NO: 87 N-0720-01  
 SCALE: N.T.S.  
 DATE: 9/25/2023  
 DESIGNED BY: MLC  
 DRAWN BY: MLC  
 CHECKED BY: MDB

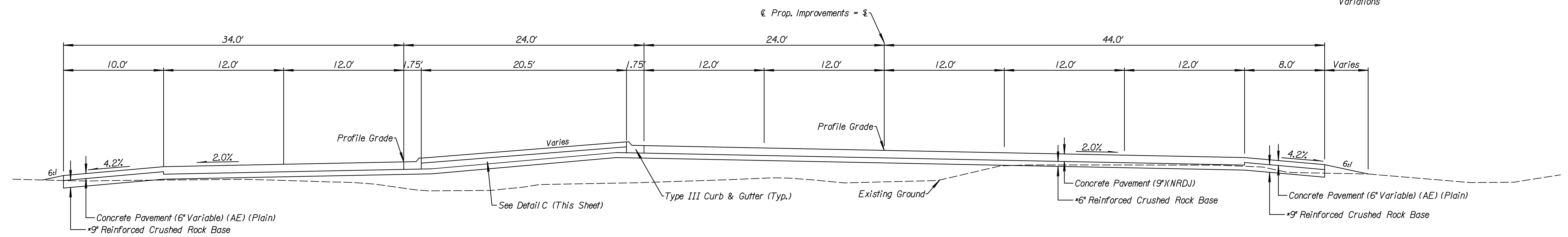
SHEET TITLE:  
**PAWNEE STREET  
 TYPICAL  
 SECTIONS**

SHEET NO.  
**10**  
 SHEET 10 OF 517

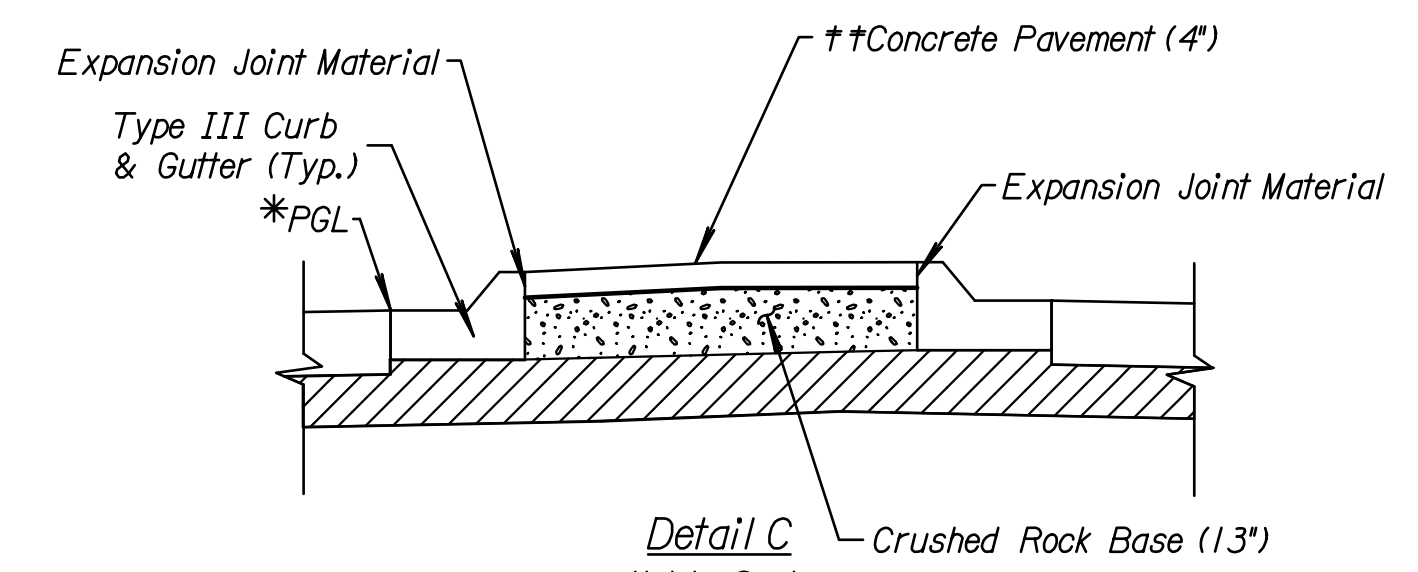


**TYPICAL SECTION**  
 Sta. 1071+00.00 to Sta. 1073+75.00

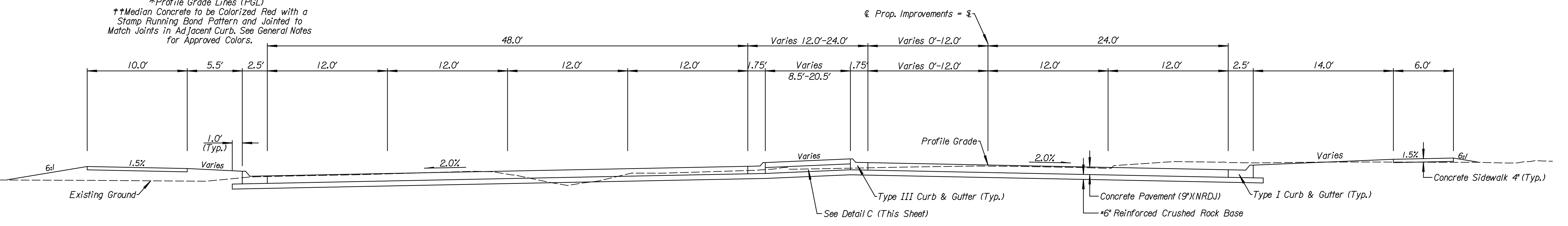
Note:  
 \*Reinforced Crushed Rock Base Shall be Reinforced with approved geogrid. Geogrid is SUBSIDIARY to Reinforced Crushed Rock Base Bid Item  
 The Sections Shown are Typical. See Plans and Cross Sections for Variations



**TYPICAL SECTION**  
 Sta. 1073+75.00 to Sta. 1076+82.00



**Detail C**  
 Not to Scale  
 \*Profile Grade Lines (PGL)  
 \*\*Median Concrete to be Colorized Red with a Stamp Running Bond Pattern and Jointed to Match Joints in Adjacent Curb. See General Notes for Approved Colors.



**TYPICAL SECTION**  
 Sta. 1078+68.86 to Sta. 1081+25.27

9/25/2023 8:17:30 PM - c:\transystems\new\_local\transystems\paw\1a-e\_knoh\840984549\C\TYP-M01-103.DGN