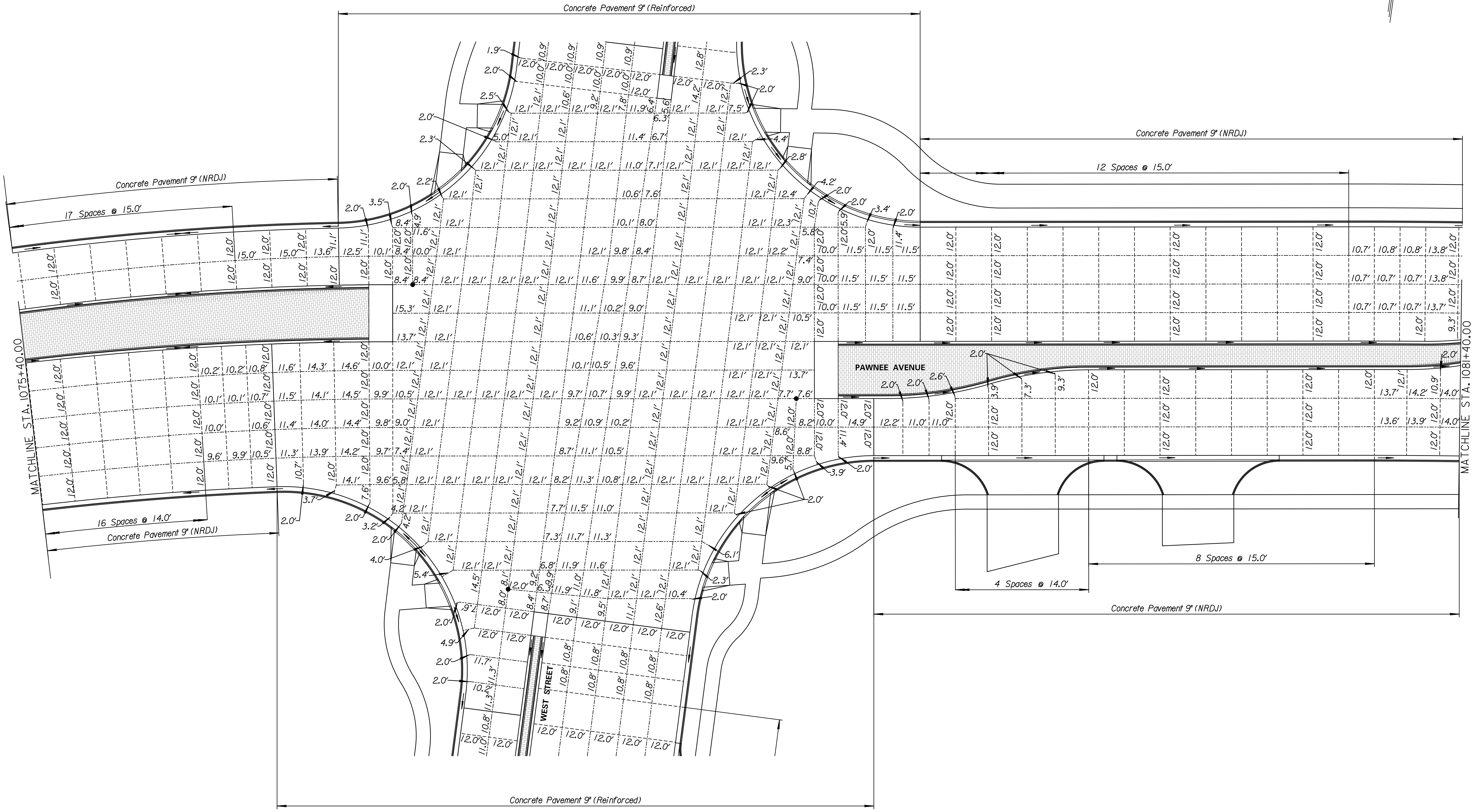
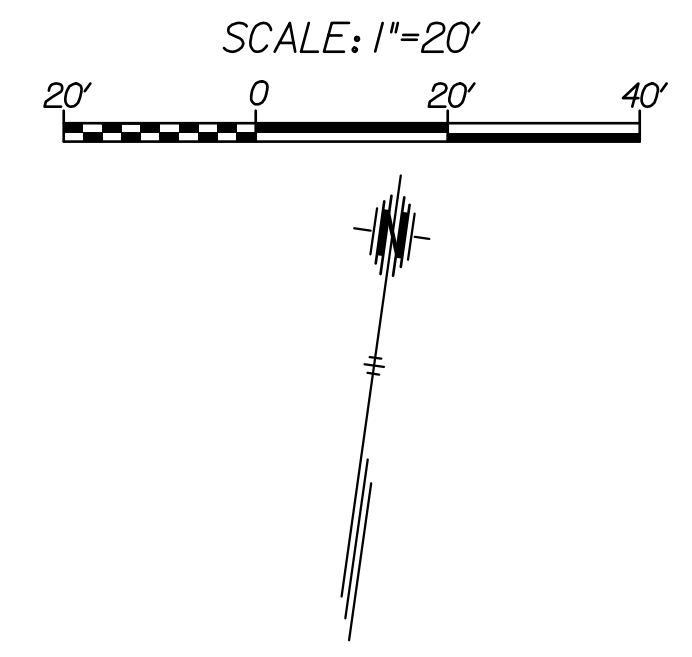


- LEGEND**
- Contraction Joint
  - Longitudinal Joint
  - Expansion Joint
  - 3/4" Core Hole

**Notes:**  
 All concrete pavement on valley gutters shall be "Concrete Pavement (VG) 8" (Reinf.)" See Sheet  
 Pavement joints shall be continued through curb & gutter and match joint patterns where possible  
 All joints within the reinforced concrete pavement shall be tied with #4 bars 2' long spaced on 30" centers in all directions with 6" x 12" - W4 x W4 welded wire mesh.  
 For jointing at drives, entrances and valley gutters, See Sheets 120,121,&128



**TRANSYSTEMS**  
 245 N. WACO  
 SUITE 222  
 WICHITA, KANSAS 67202  
 MAIN: 316-303-3000  
 FAX: 316-462-5629

CONSULTANTS:

WEST STREET IMPROVEMENTS  
 FROM PAWNEE TO HARRY



REVISIONS:	MARK	DATE	DESCRIPTION

PROJ NO: 87 N-0720-01  
 SCALE: 1"=20'  
 DATE: 9/25/2023  
 DESIGNED BY: DJK  
 DRAWN BY: DJK  
 CHECKED BY: MDB

SHEET TITLE:  
**PAWNEE ST.  
 JOINTING SHEET  
 STA. 1075+40.00 TO  
 STA. 1081+40.00**

SHEET NO.  
**106**  
 SHEET 106 OF 517

I:\projects\87252023 - 82455 PM - c:\transystems\proj\local\transystems\proj\1a-e\proj\82455\82455.dwg 9/25/2023