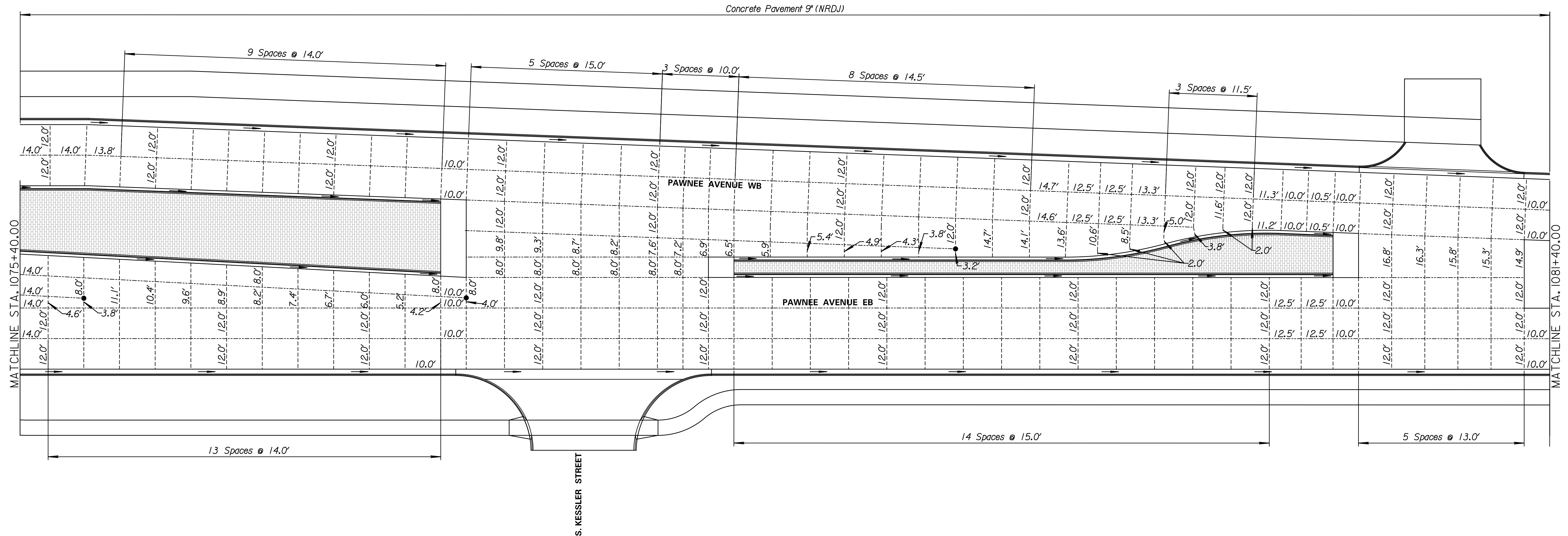
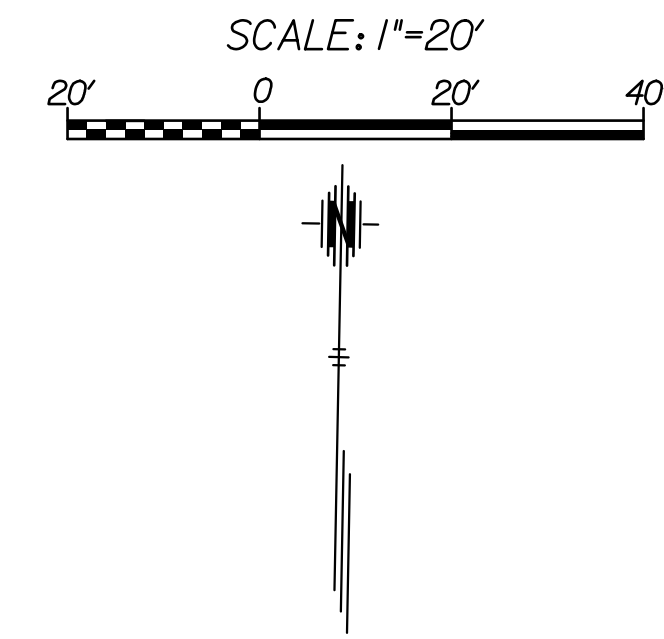


LEGEND

- Contraction Joint
- Longitudinal Joint
- Expansion Joint
- 3/4" Core Hole

Notes:
 All concrete pavement on valley gutters shall be "Concrete Pavement (VG) 8" (Reinf.)" See Sheet
 Pavement Joints shall be continued through curb & gutter and match Joint patterns where possible
 All joints within the reinforced concrete pavement shall be tied with #4 bars 2' long spaced on 30" centers in all directions with 6" x 12" - W4 x W4 welded wire mesh.
 For Jointing at drives, entrances and valley gutters, See Sheets 120,121,&128



TRANSYSTEMS
 245 N. WACO
 SUITE 222
 WICHITA, KANSAS 67202
 MAIN: 316-303-3000
 FAX: 316-462-5629

CONSULTANTS:

WEST STREET IMPROVEMENTS FROM PAWNEE TO HARRY



REVISIONS:	MARK	DATE	DESCRIPTION

PROJ NO: 87 N-0720-01
 SCALE: 1"=20'
 DATE: 9/25/2023
 DESIGNED BY: DJK
 DRAWN BY: DJK
 CHECKED BY: MDB

SHEET TITLE:
PAWNEE ST. JOINTING PLAN STA. 1075+40.00 TO STA. 1081+40.00

SHEET NO.
108
 SHEET 108 OF 517