

CONSULTANTS:

WEST STREET IMPROVEMENTS
 FROM PAWNEE TO HARRY

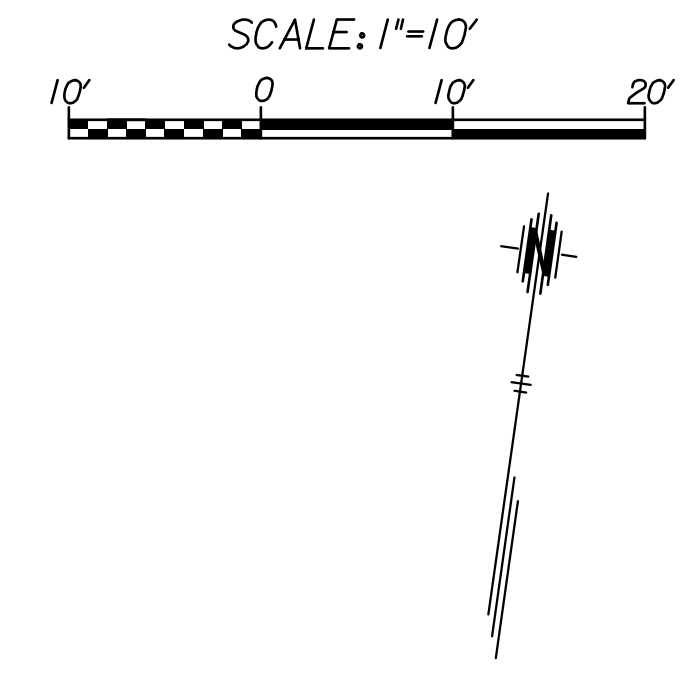


REVISIONS:	MARK	DATE	DESCRIPTION

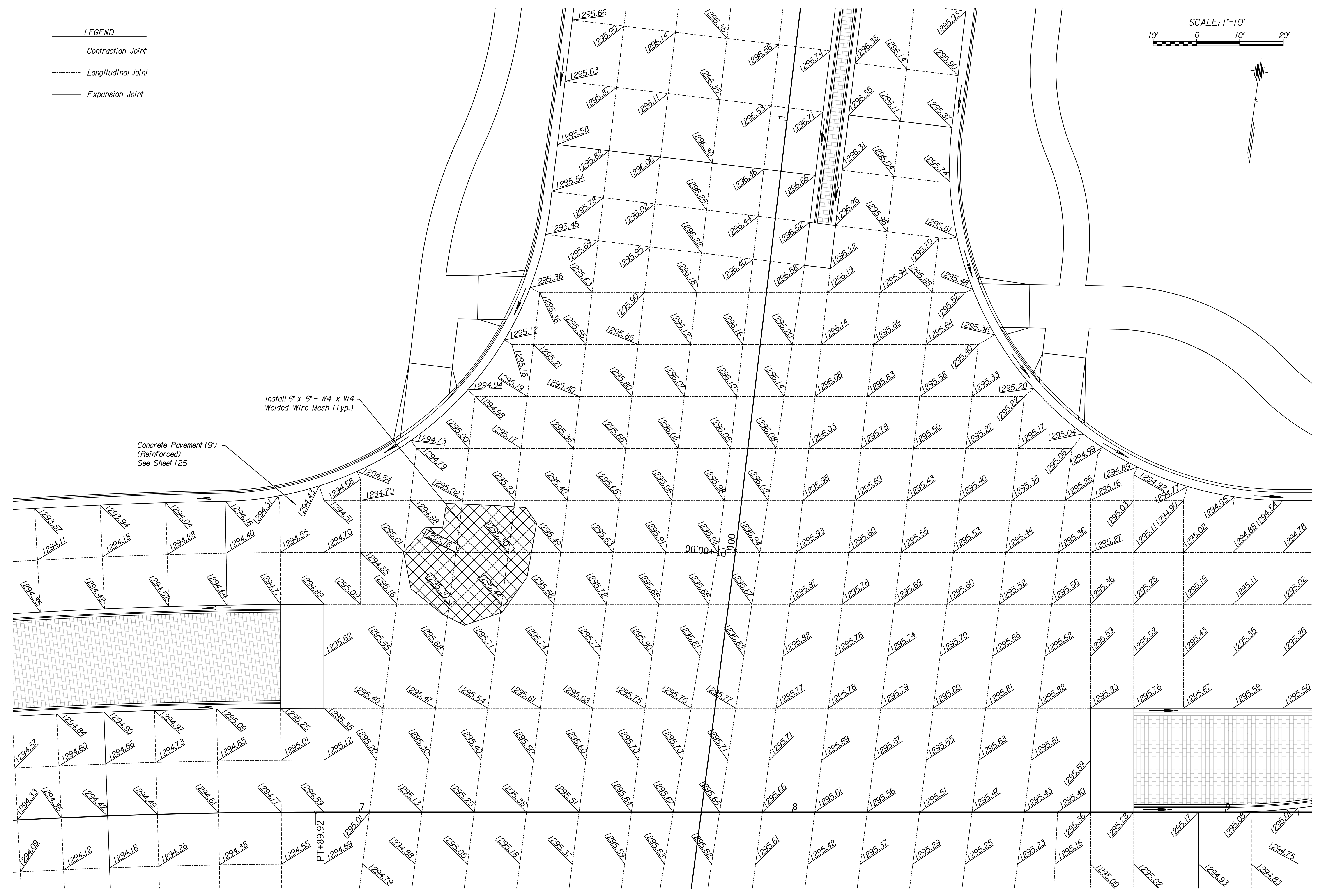
PROJ NO: 87 N-0720-01
 SCALE: 1"=20'
 DATE: 9/25/2023
 DESIGNED BY: DJK
 DRAWN BY: DJK
 CHECKED BY: MDB

SHEET TITLE:
**PAVEMENT
 JOINTING
 DETAILS**

SHEET NO.
113
 SHEET 113 OF 517



LEGEND
 - - - - - Contraction Joint
 - - - - - Longitudinal Joint
 = = = = = Expansion Joint



Concrete Pavement (9")
 (Reinforced)
 See Sheet 125

Install 6" x 6" - W4 x W4
 Welded Wire Mesh (Typ.)

9/25/2023 6:25:18 PM c:\transystems\proj\local\transystems\proj\1a_w_1\proj\87\8720\8720-01\113.dgn