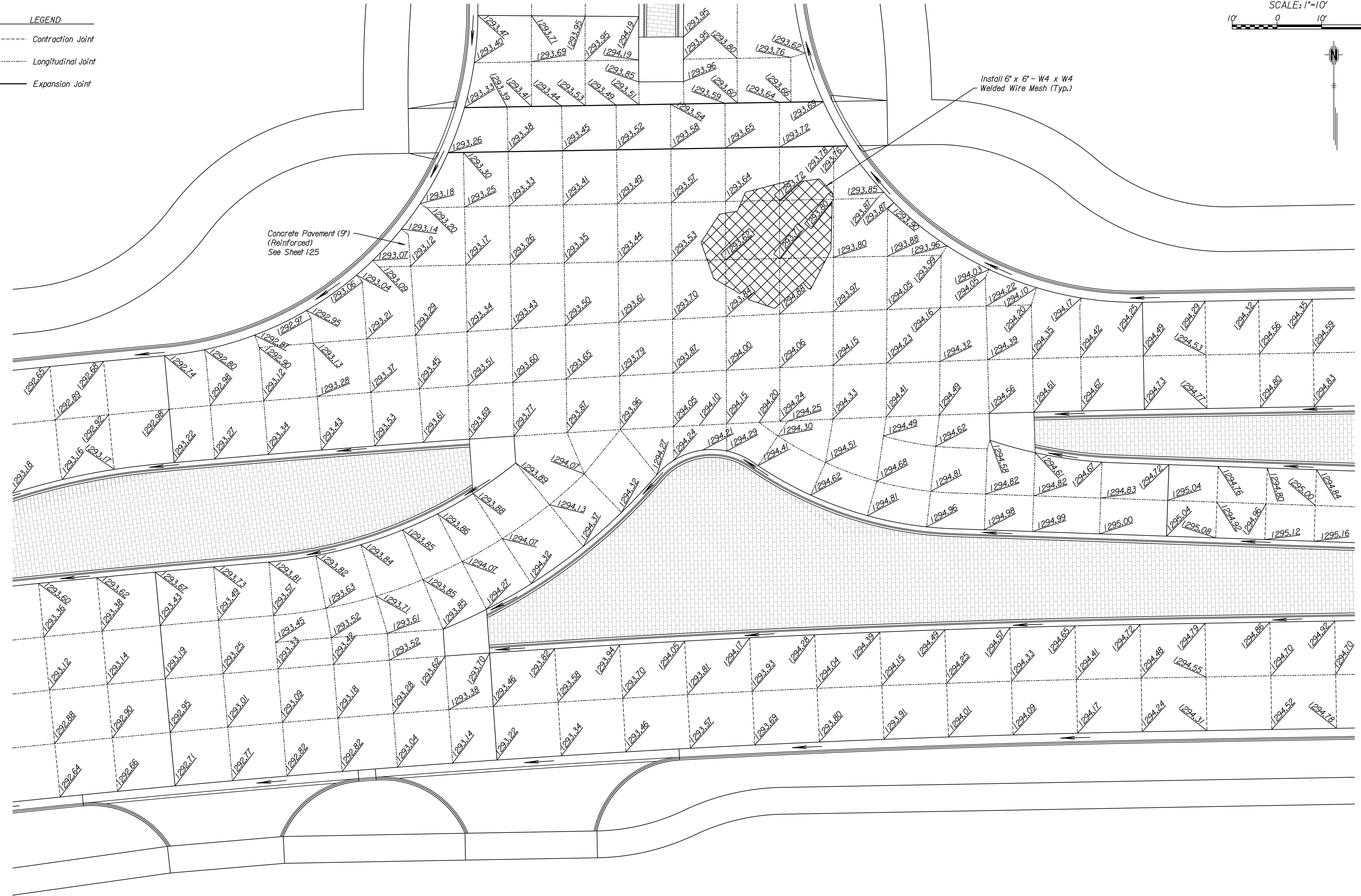
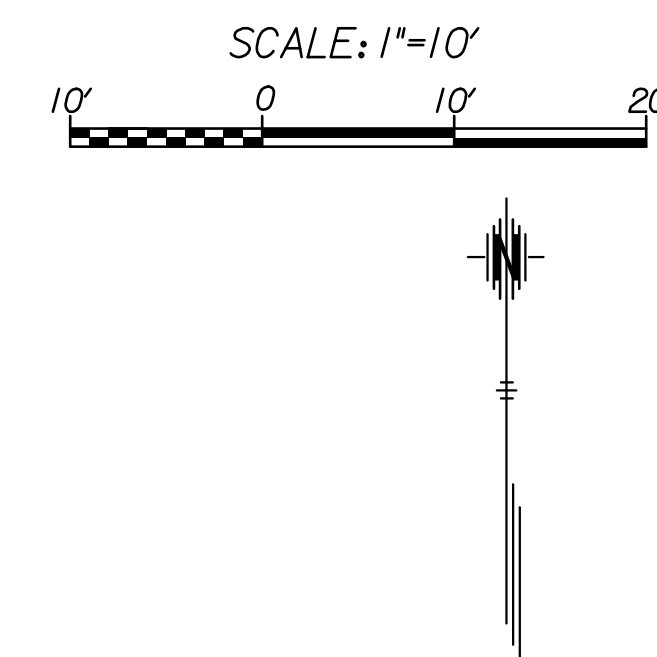


LEGEND

- - - - - Contraction Joint
- · - · - · Longitudinal Joint
- Expansion Joint



Concrete Pavement (9")
(Reinforced)
See Sheet 125

Install 6" x 6" - W4 x W4
Welded Wire Mesh (Typ.)

TRANSYSTEMS
245 N. WACO
SUITE 222
WICHITA, KANSAS 67202
MAIN: 316-303-3000
FAX: 316-462-5629

CONSULTANTS:

WEST STREET IMPROVEMENTS
FROM PAWNEE TO HARRY

WICHITA, KANSAS
CITY OF WICHITA

REVISIONS:	MARK	DATE	DESCRIPTION

PROJ NO: 87 N-0720-01
SCALE: 1"=20'
DATE: 9/25/2023
DESIGNED BY: DJK
DRAWN BY: DJK
CHECKED BY: MDB

SHEET TITLE:
PAVEMENT JOINTING DETAILS

SHEET NO.
116

I:\projects\87252023 - 825252023 - c:\transystems\proj\local\transystems\proj\1a-e\proj\87252023\87252023-INT-M02-4102.DGN

IF THIS DRAWING IS LESS THAN 22" X 36" IT IS A REDUCED SIZE DRAWING