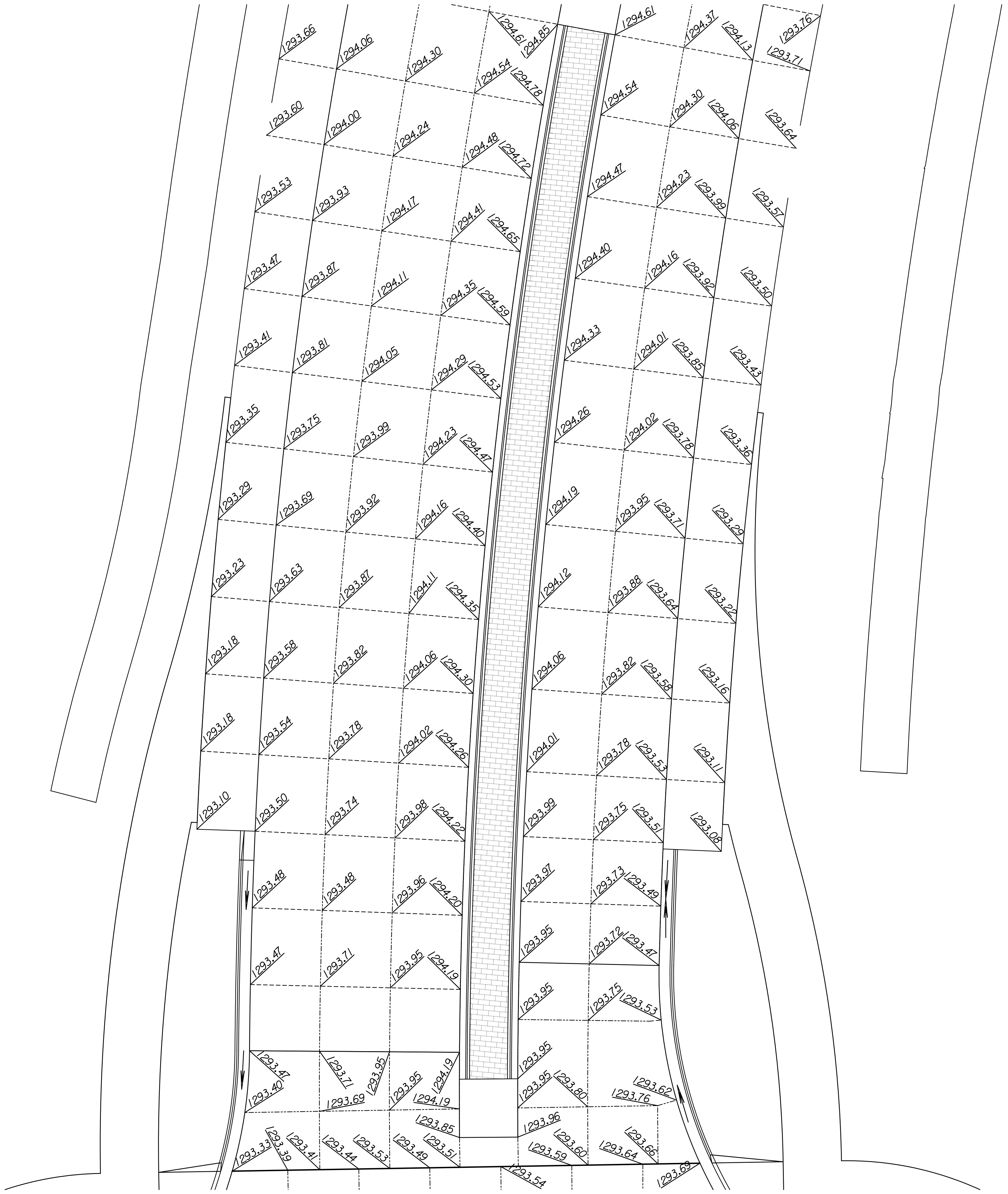
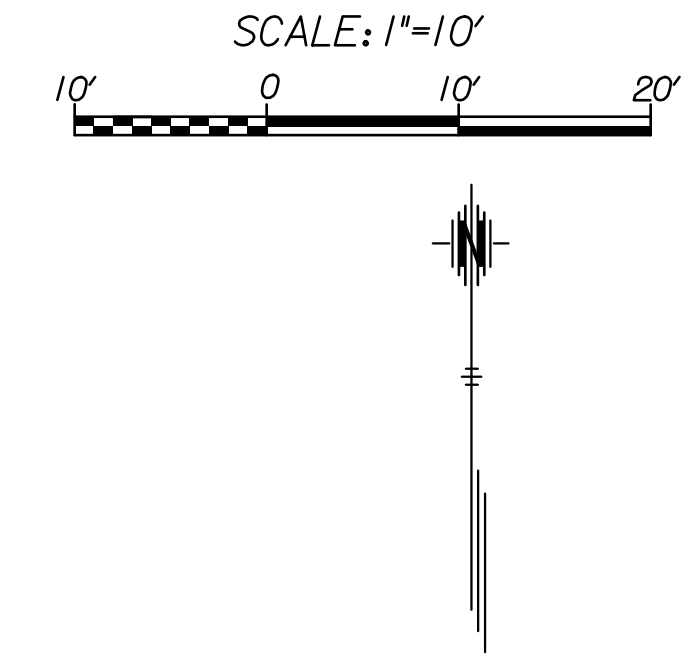


LEGEND

- Contraction Joint
- Longitudinal Joint
- Expansion Joint



**TRANSYSTEMS**  
 245 N. WACO  
 SUITE 222  
 WICHITA, KANSAS 67202  
 MAIN: 316-303-3000  
 FAX: 316-462-5629

CONSULTANTS:

WEST STREET IMPROVEMENTS  
 FROM PAWNEE TO HARRY

WICHITA, KANSAS

REVISIONS:	MARK	DATE	DESCRIPTION

PROJ NO: 87 N-0720-01  
 SCALE: 1"=20'  
 DATE: 9/25/2023  
 DESIGNED BY: CKC  
 DRAWN BY: CKC  
 CHECKED BY: MDB

SHEET TITLE:  
**PAVEMENT  
 JOINTING  
 DETAILS**

SHEET NO.  
**119**

SHEET 119 OF 517

9/25/2023 6:25:34 PM - c:\transystems\paw\_low\transystems\paw\_low\kwhs\kwhs\0984549\C-INT-M02-416.DGN

IF THIS DRAWING IS LESS THAN 22" X 36" IT IS A REDUCED SIZE DRAWING