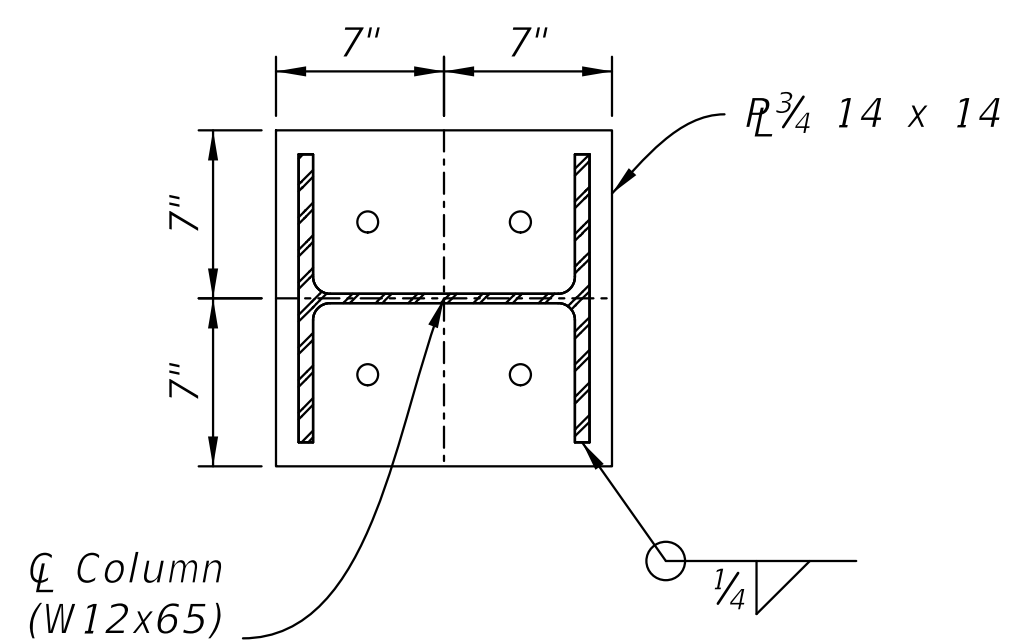


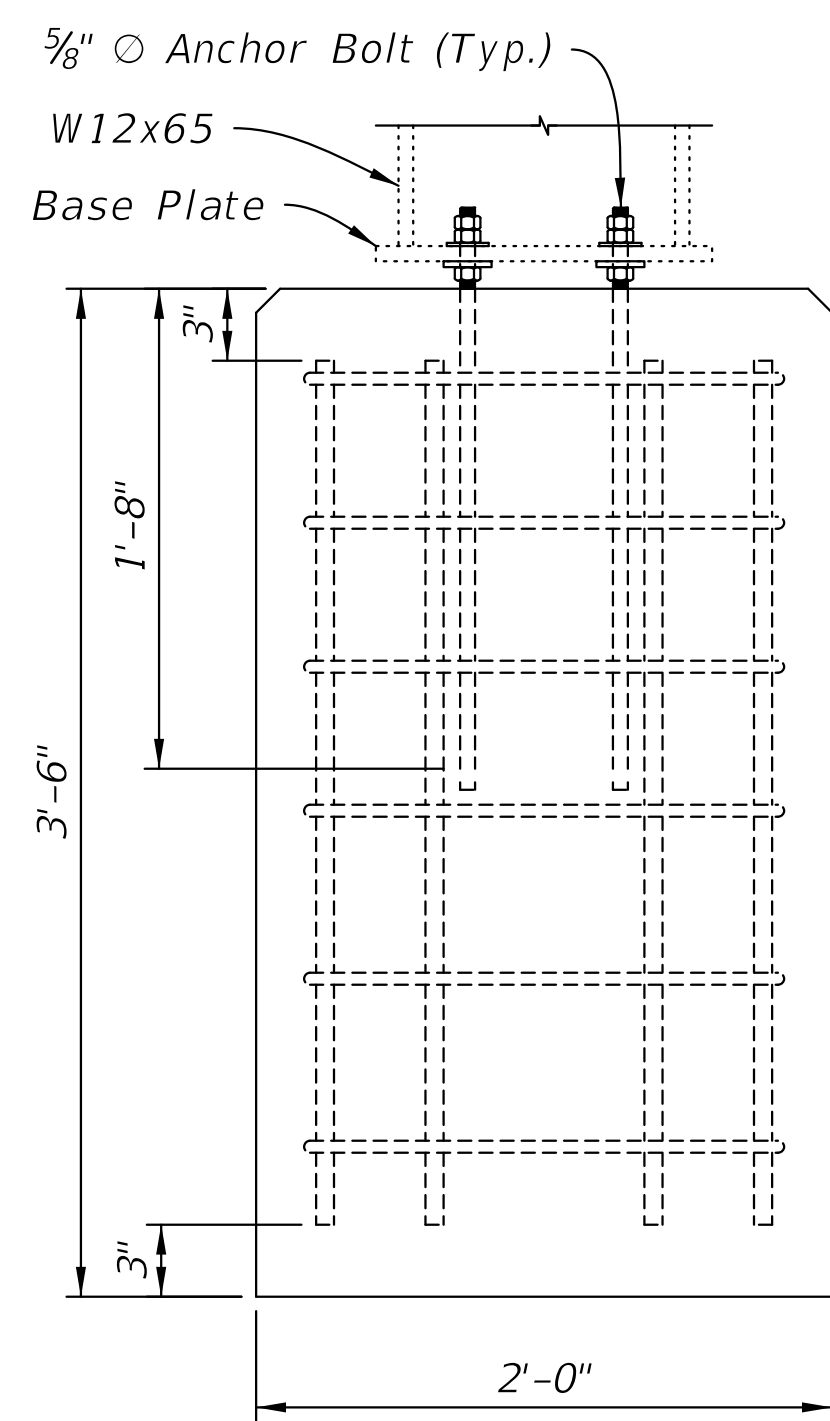
FOUNDATION PLAN



BASE PLATE PLAN

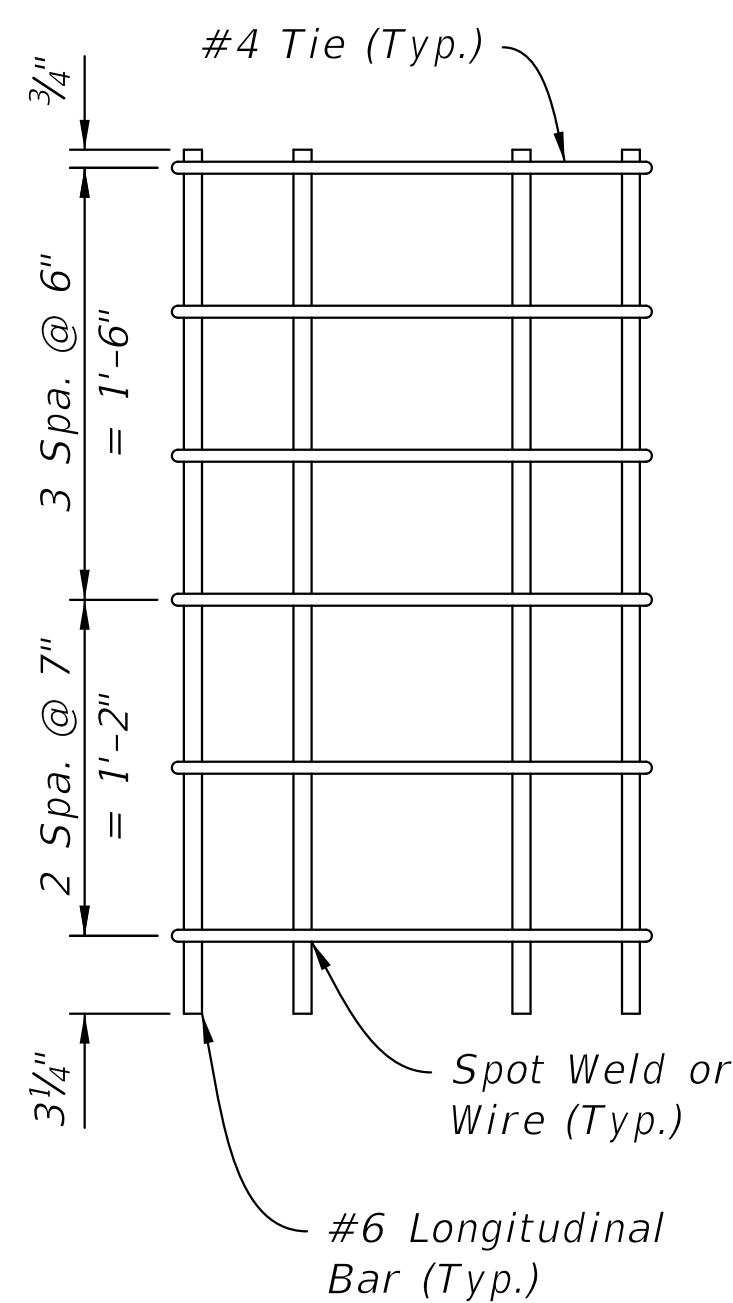
NOTES:

1. Materials
 Concrete: 4000 psi
 Reinforcing Steel: ASTM A615 Grade 60
 Base Plate: Compatible with Beam material
 Anchor Bolts: ASTM F1554 Grade 55
2. Soil Parameters used in design (Provided by GSI Engineering)
 Effective Unit Weight: 125 pcf
 Average "N" Value: 7 bpf
 Undrained Shear Strength: 1,050 psf

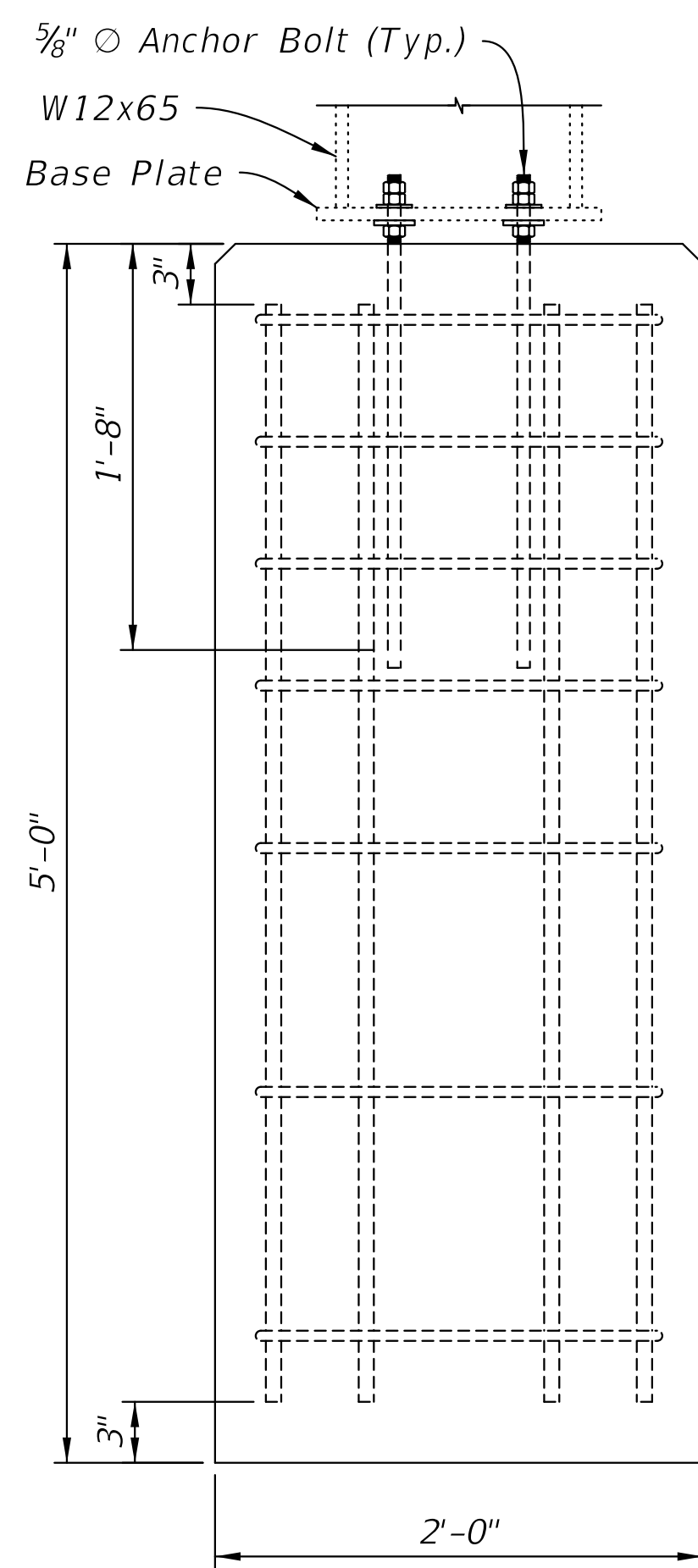


ELEVATION

24" Ø x 42" FOUNDATION

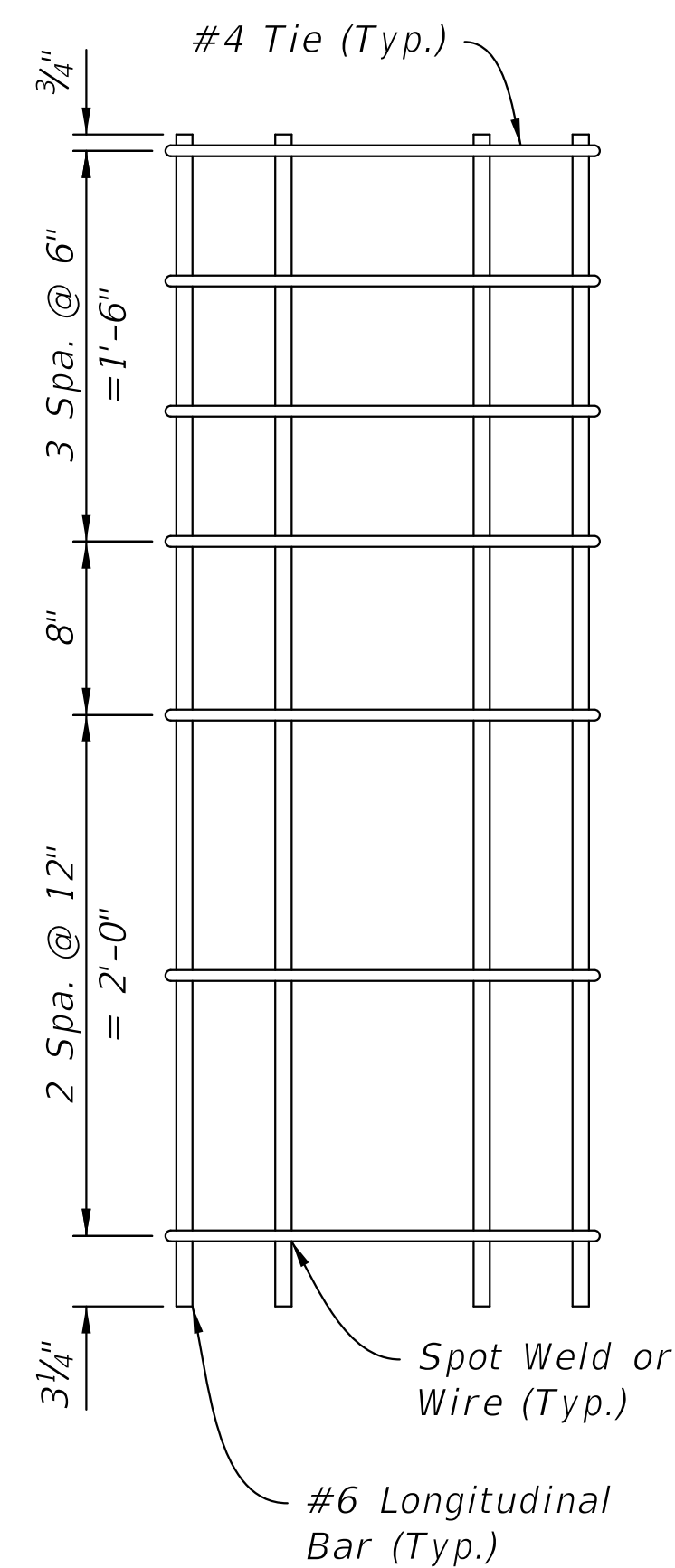


CAGE DETAIL

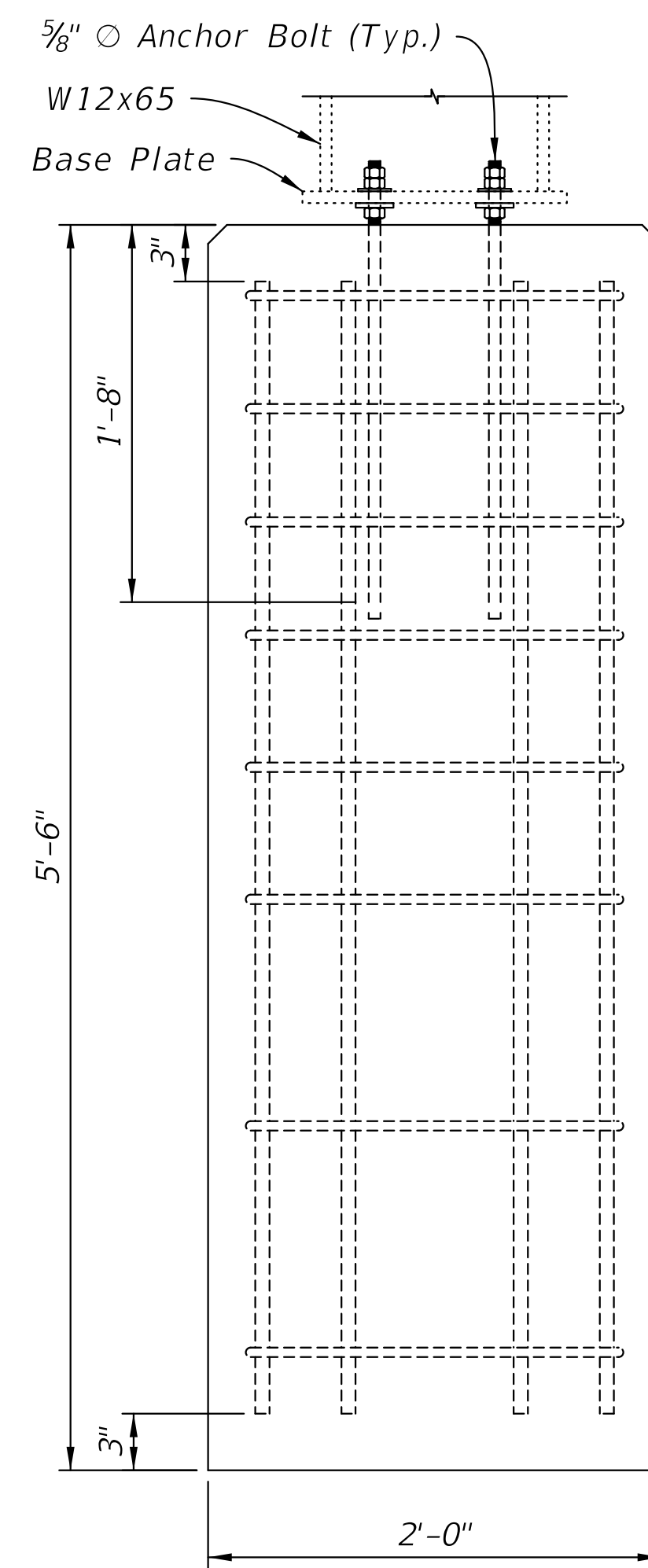


ELEVATION

24" Ø x 60" FOUNDATION

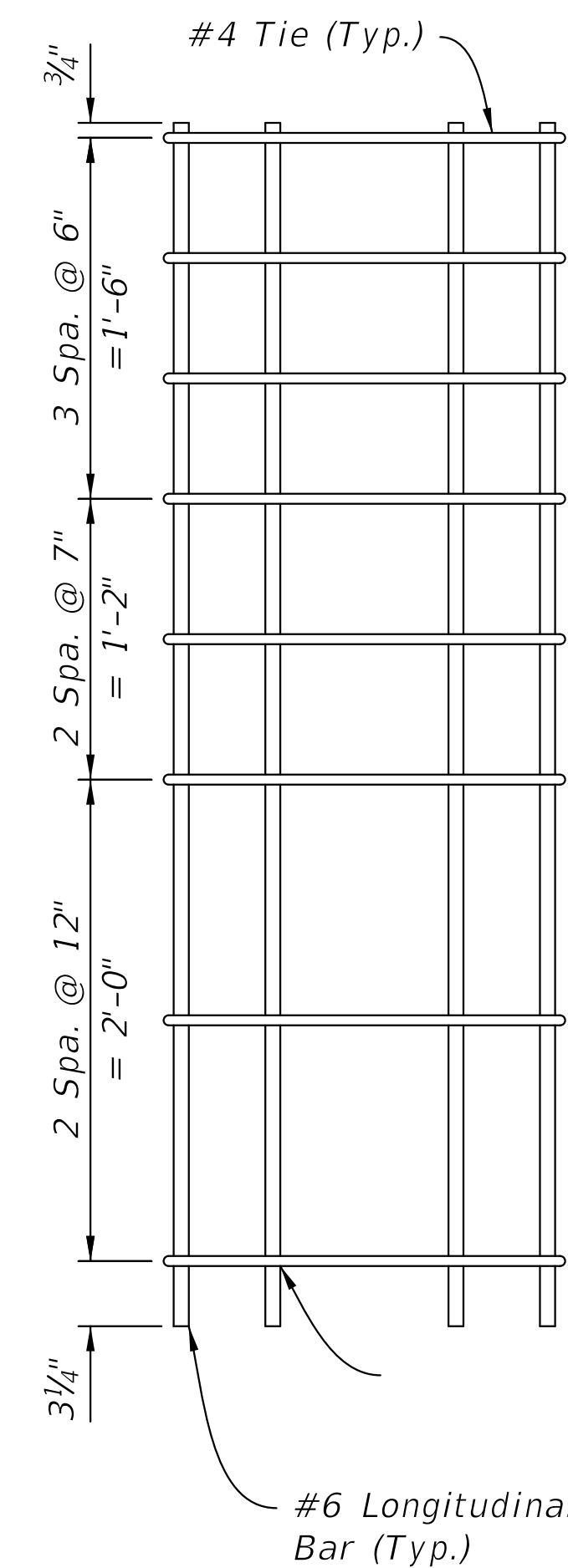


CAGE DETAIL



ELEVATION

24" Ø x 66" FOUNDATION



CAGE DETAIL

CONSULTANTS:

WEST STREET IMPROVEMENTS
 FROM PAWNEE TO HARRY



REVISIONS:	MARK	DATE	DESCRIPTION

PROJ NO: 87 N-0720-01
 SCALE: NTS
 DATE: 9/25/2023
 DESIGNED BY: CKC
 DRAWN BY: LCV
 CHECKED BY: MDB

SHEET TITLE:
**ART AREA
 FOUNDATION
 DETAIL SHEET**

SHEET NO.
33