

CONSULTANTS:

WEST STREET IMPROVEMENTS
 FROM PAWNEE TO HARRY

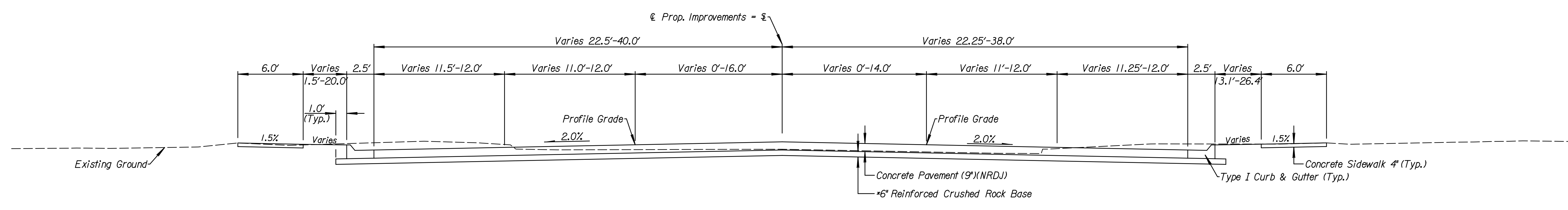


REVISIONS:	MARK	DATE	DESCRIPTION

PROJ NO: 87 N-0720-01
 SCALE: N.T.S.
 DATE: 9/25/2023
 DESIGNED BY: MLC
 DRAWN BY: MLC
 CHECKED BY: MDB

SHEET TITLE:
**WEST STREET
 TYPICAL
 SECTIONS**

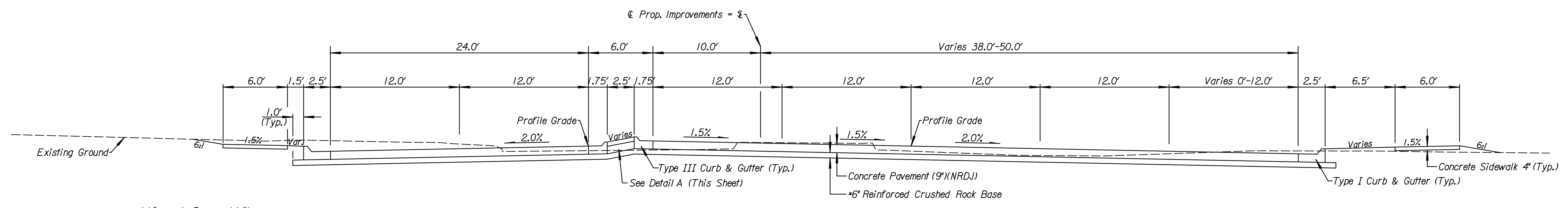
SHEET NO.
8
 SHEET 8 OF 517



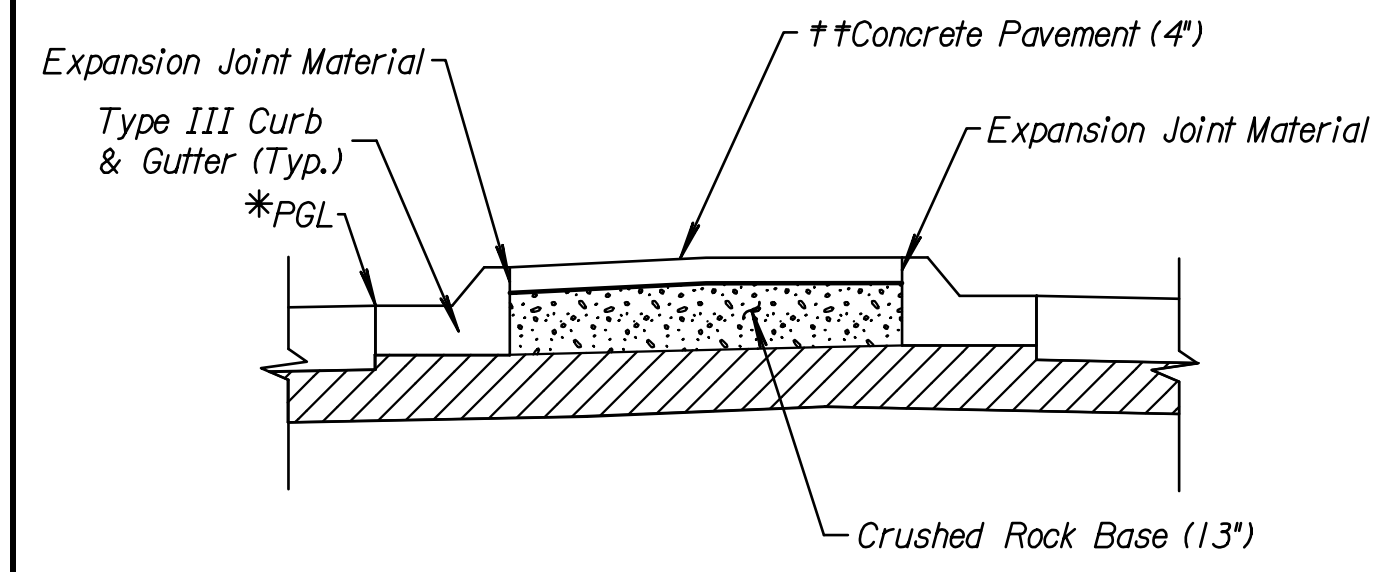
TYPICAL SECTION
 Sta. 89+50.00 to Sta. 94+45.00

Note:
 *Reinforced Crushed Rock Base Shall be Reinforced with approved geogrid. Geogrid is **SUBSIDIARY** to Reinforced Crushed Rock Base Bid Item

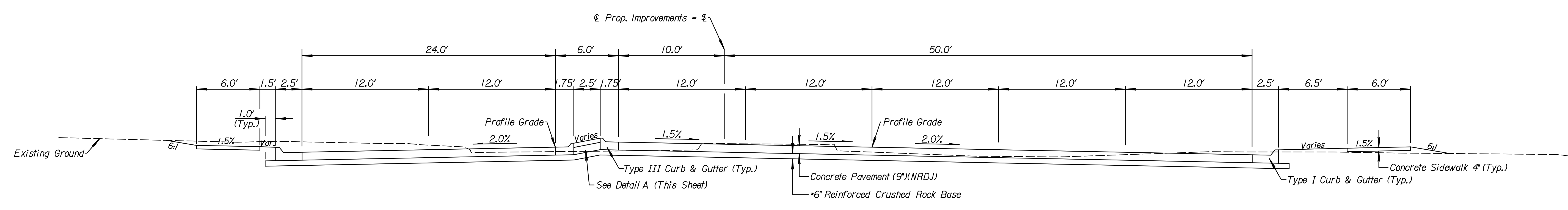
 The Sections Shown are Typical. See Plans and Cross Sections for Variations



TYPICAL SECTION
 Sta. 94+45.00 to Sta. 95+34.00



Detail A
 Not to Scale
 *Profile Grade Line (PGL)
 **Median Concrete to be Colorized Red with a Stamp Running Bond Pattern and Jointed to Match Joints in Adjacent Curb. See General Notes for Approved Colors.



TYPICAL SECTION
 Sta. 95+34.00 to Sta. 98+46.65

9/25/2023 8:17:22 PM c:\transystems\new_bocalltransystems\pawna_w\proj\87n0720\01\01.dgn