

CONSULTANTS:

WEST STREET IMPROVEMENTS
 FROM PAWNEE TO HARRY

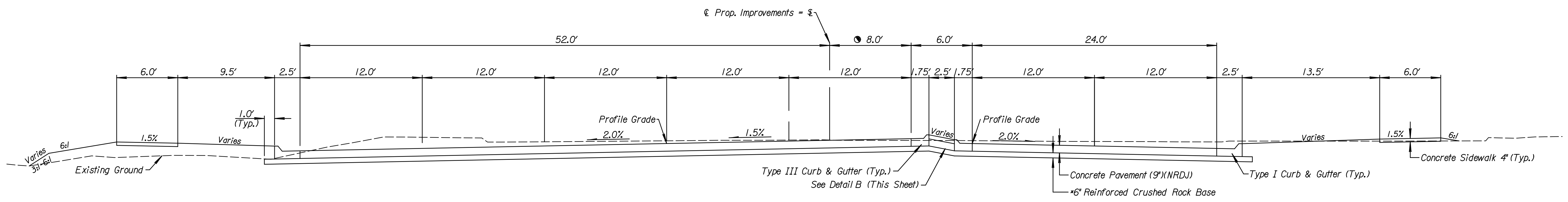


REVISIONS:	MARK	DATE	DESCRIPTION

PROJ NO: 87 N-0720-01
 SCALE:
 DATE: 9/25/2023
 DESIGNED BY: MLC
 DRAWN BY: MLC
 CHECKED BY: MDB

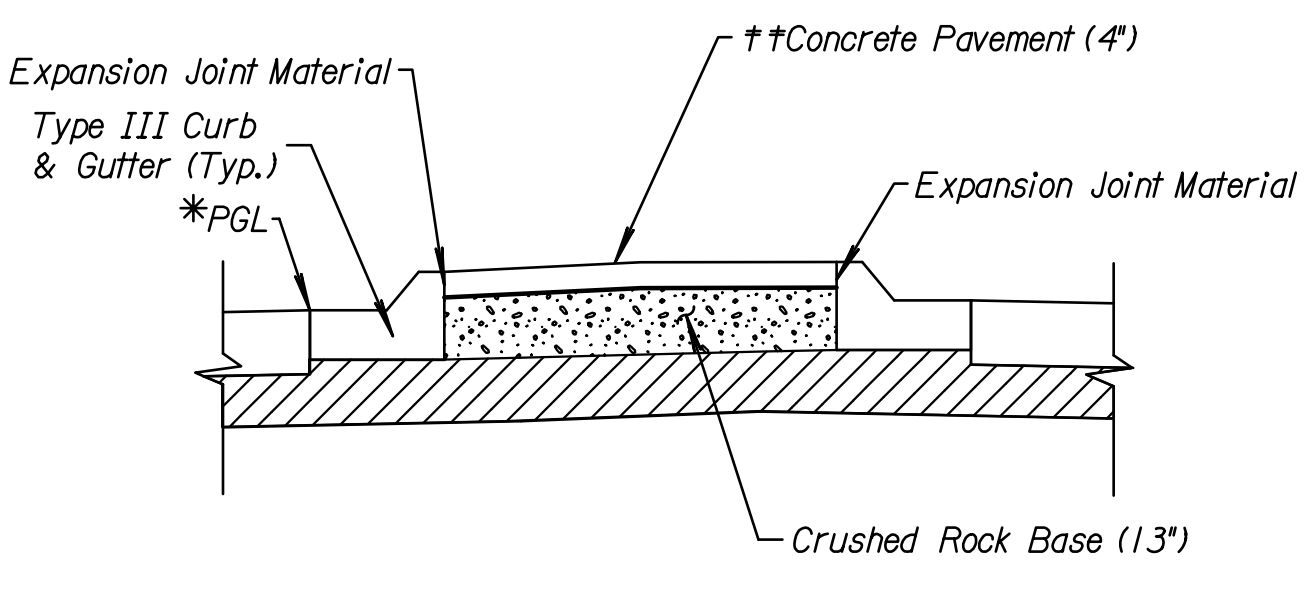
SHEET TITLE:
**WEST STREET
 TYPICAL
 SECTIONS**

SHEET NO.
9
 SHEET 9 OF 517



TYPICAL SECTION

Sta. 100+67.25 to Sta. 103+25.00
 Sta. 103+25.00 to Sta. 103+73.00 - *Varies from 8.0' to 0.0'*

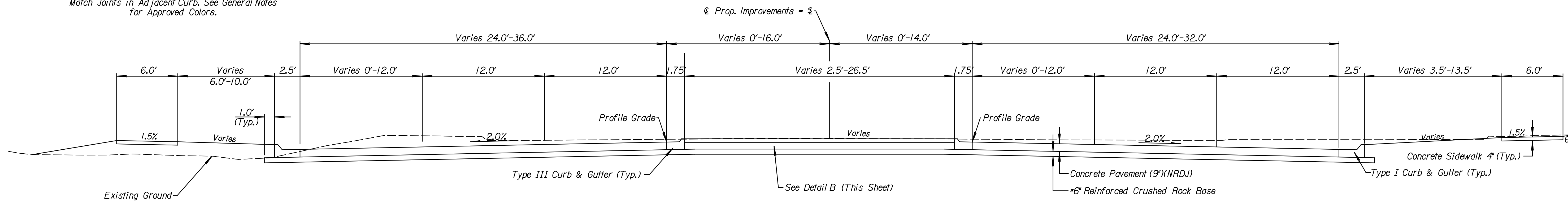


Detail B

Not to Scale
 *Profile Grade Line (PGL) - See Typical Sections & Cross Sections for PGL Location
 **Median Concrete to be Colorized Red with a Stamp Running Bond Pattern and Jointed to Match Joints in Adjacent Curb. See General Notes for Approved Colors.

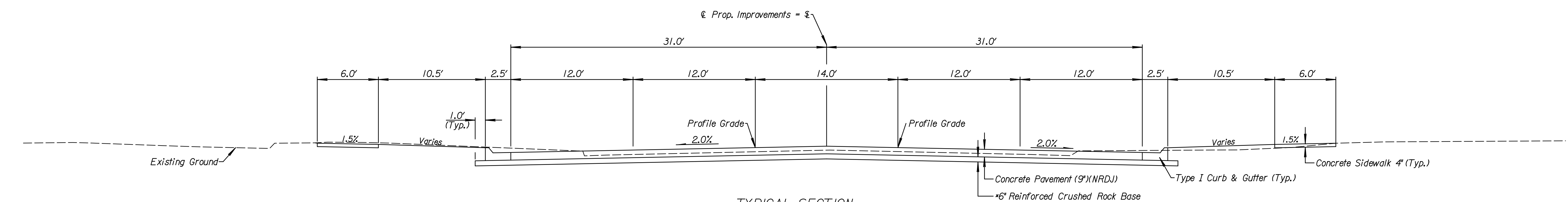
Note:
 *Reinforced Crushed Rock Base Shall be Reinforced with approved geogrid. Geogrid is **SUBSIDIARY** to Reinforced Crushed Rock Base Bid Item

The Sections Shown are Typical. See Plans and Cross Sections for Variations



TYPICAL SECTION

Sta. 103+73.00 to Sta. 107+15.00



TYPICAL SECTION

Sta. 107+15.00 to Sta. 150+63.39

9/25/2023 8:17:25 PM - c:\transystems\paw_bocalltransys\paw\1a-e_kochs\0984549\C\TYP-M01-102.DGN