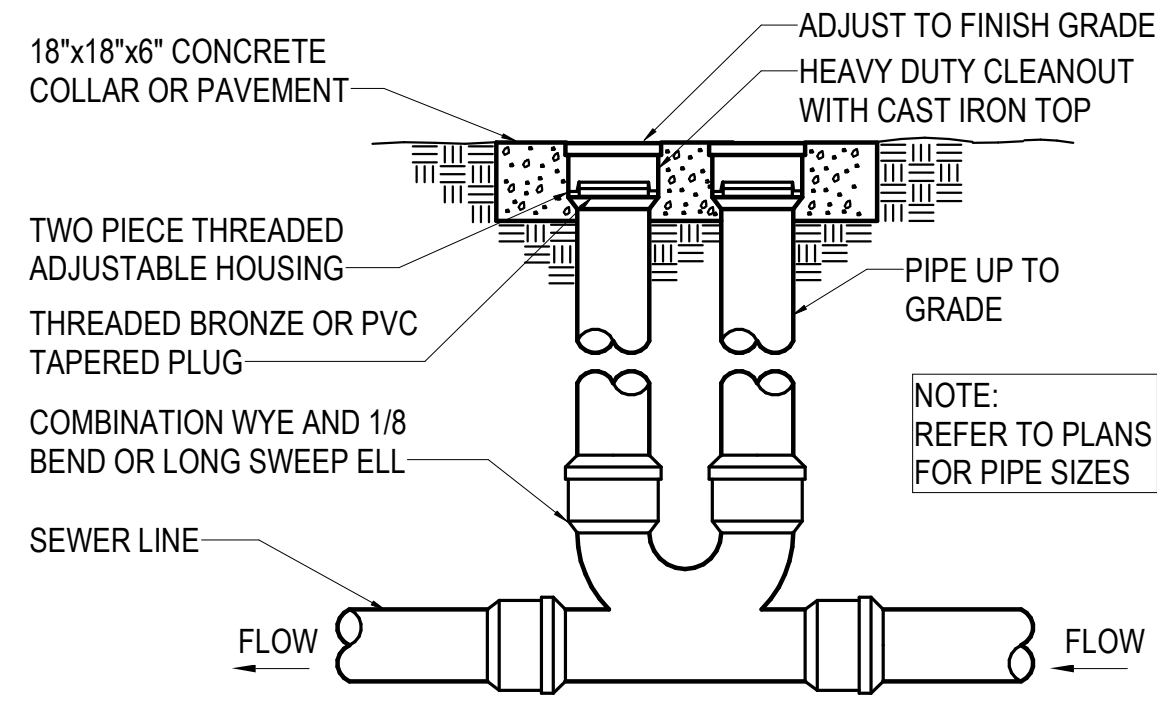
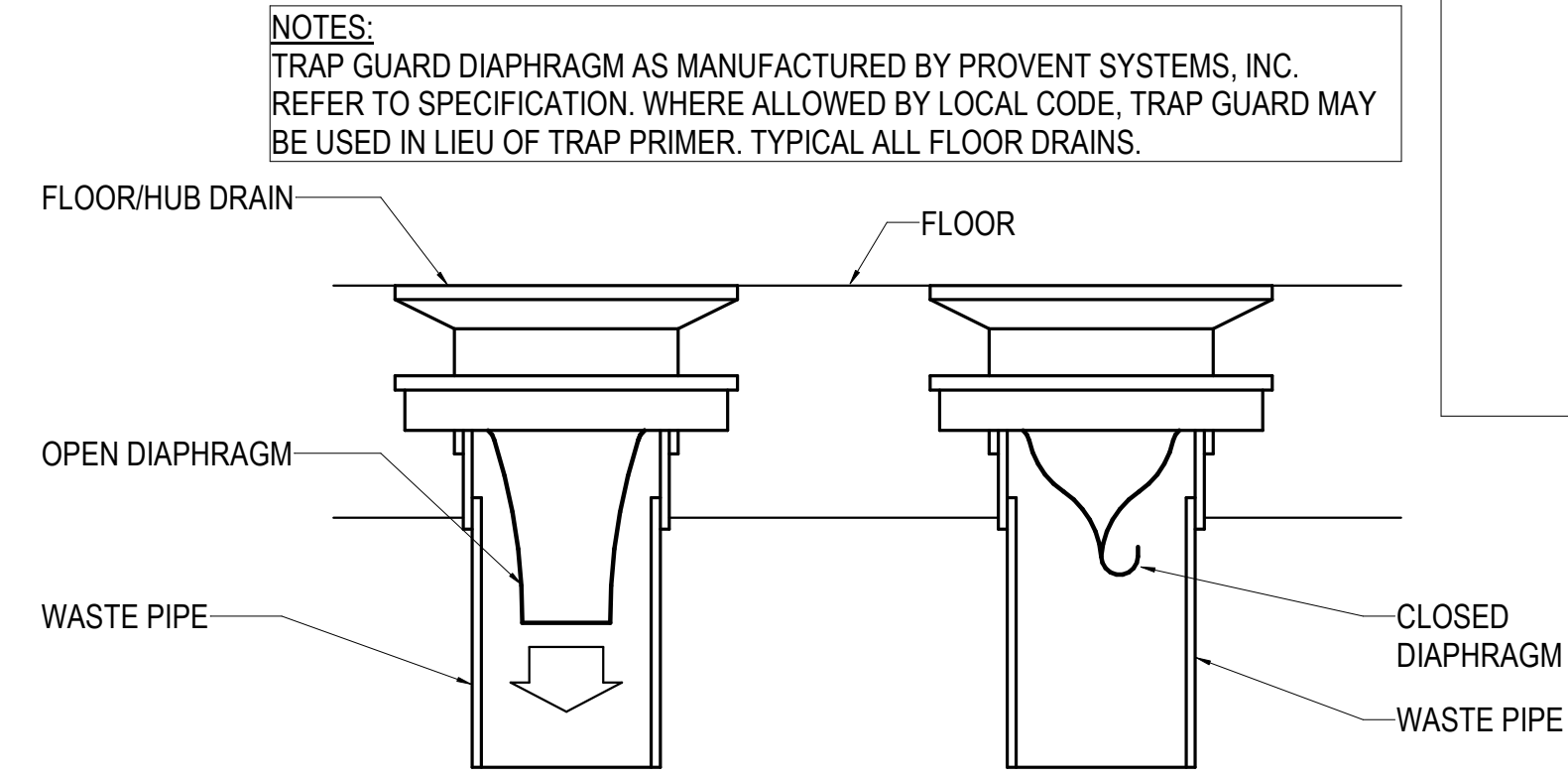


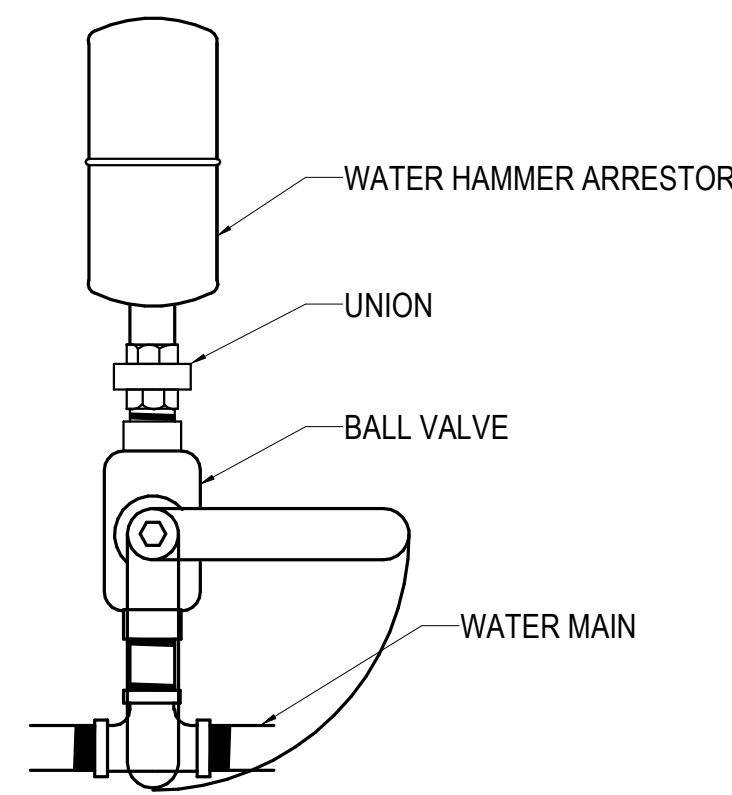
1 CLEANOUT DETAIL - EXTERIOR
NO SCALE



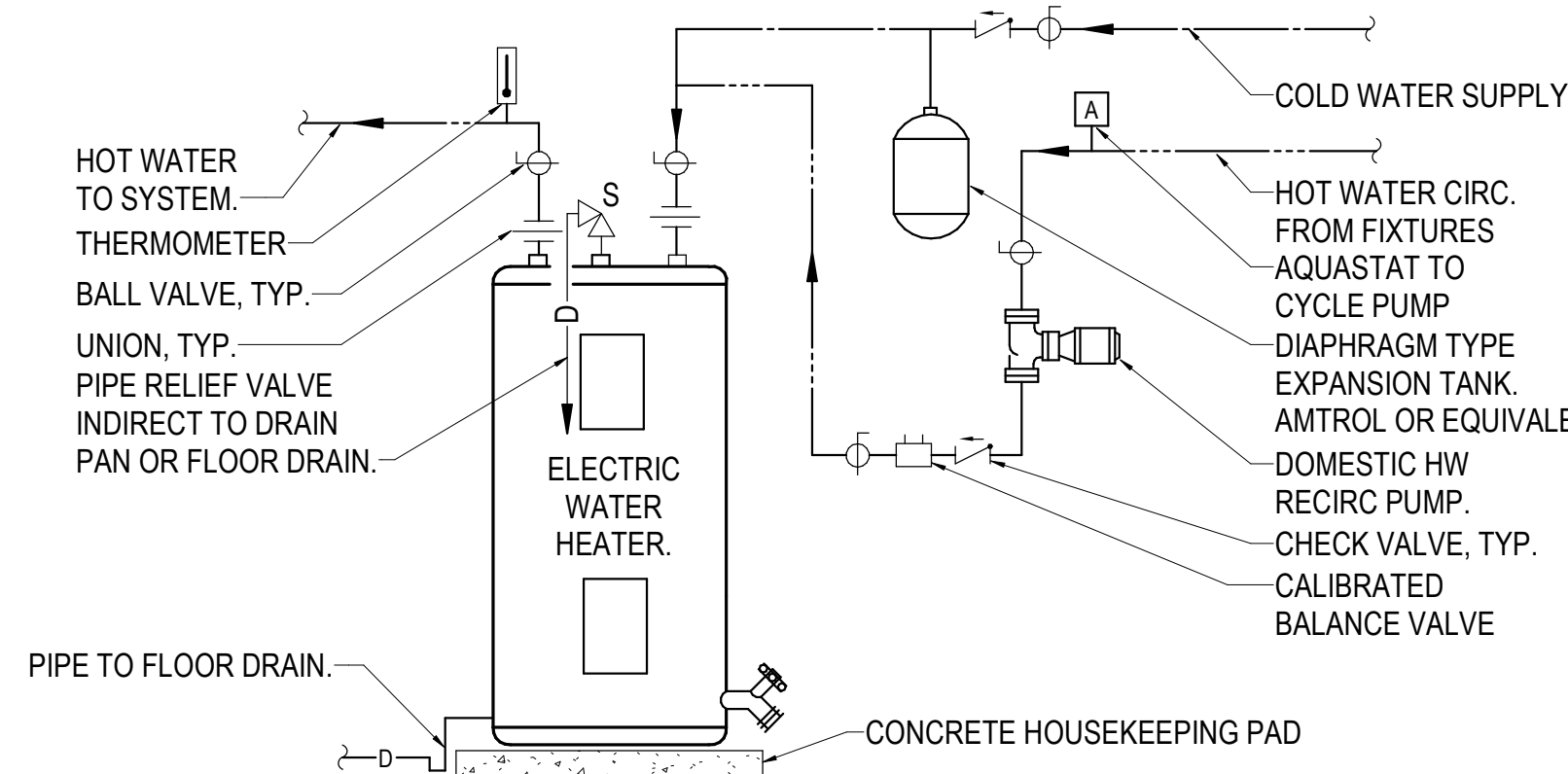
2 CLEANOUT DETAIL - TWO-WAY EXTERIOR
NO SCALE



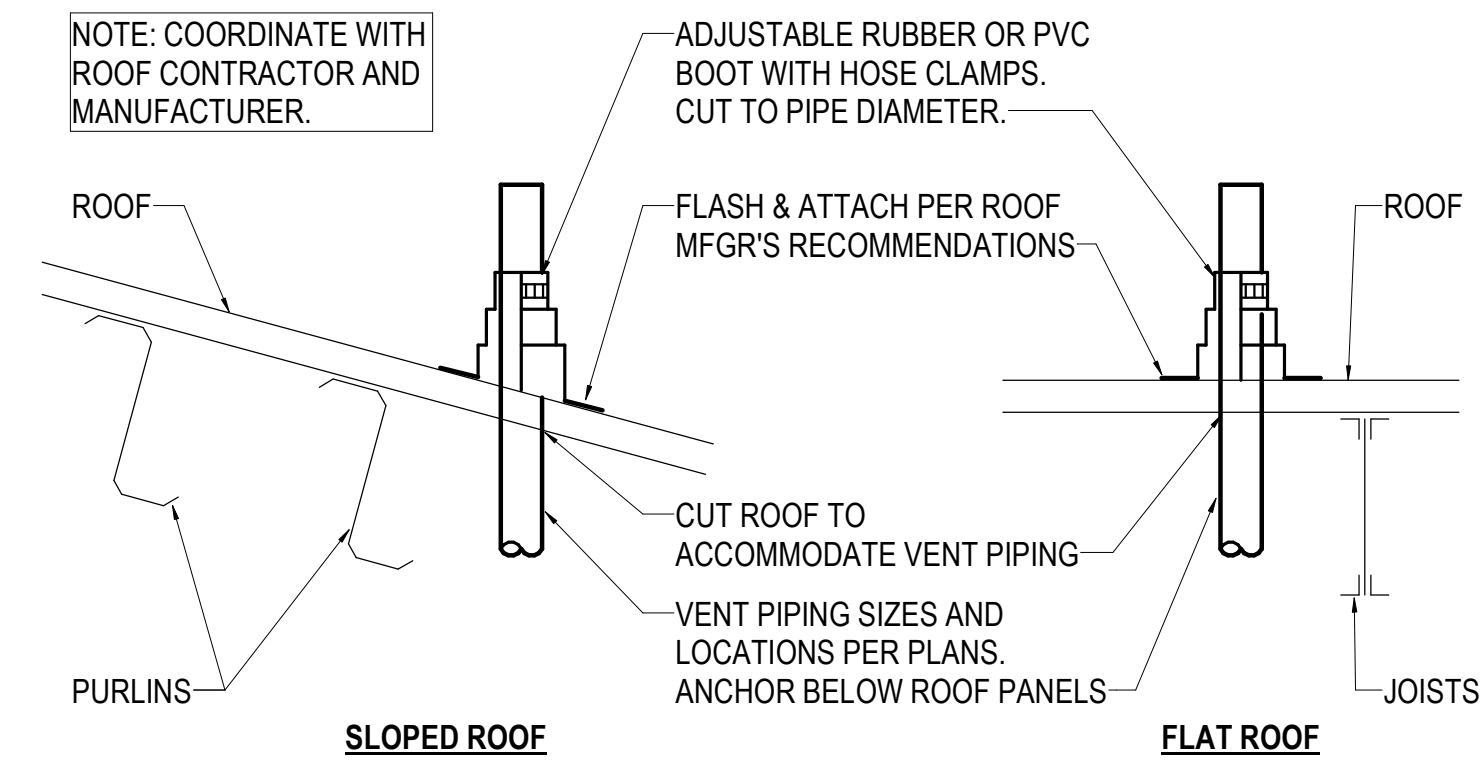
3 FLOOR DRAIN TRAP GUARD DETAIL
NO SCALE



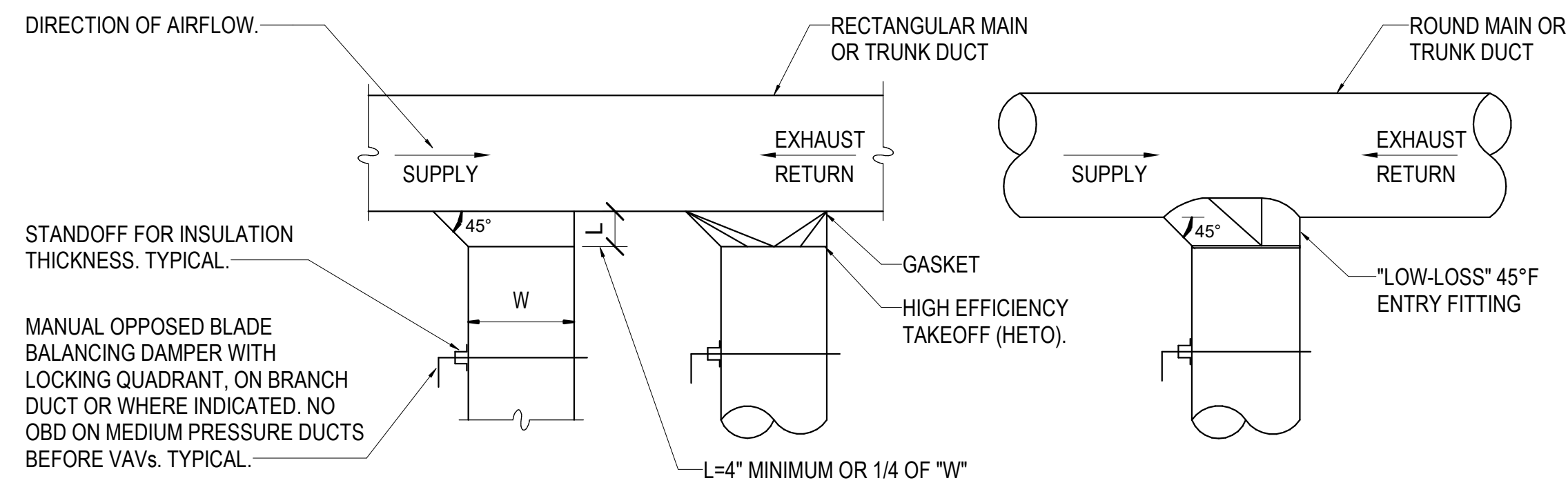
4 WATER HAMMER ARRESTOR DETAIL
NO SCALE



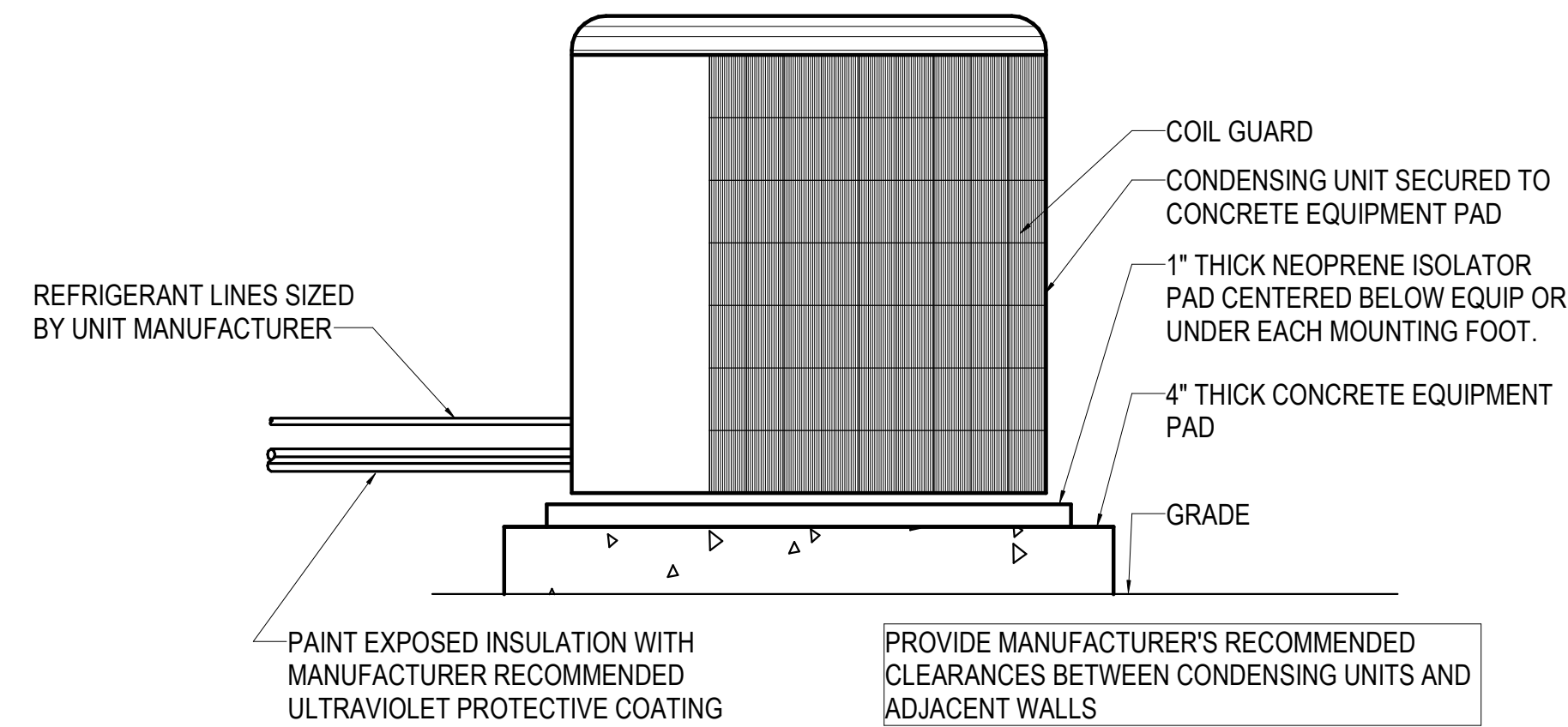
5 WATER HEATER DETAIL - ELECTRIC
NO SCALE



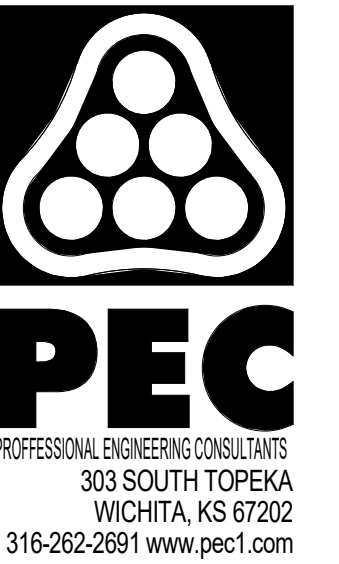
6 VENT THRU ROOF DETAIL
NO SCALE



7 DUCT TAKEOFF DETAILS
NO SCALE



8 CONDENSING UNIT DETAIL - CONCRETE BASE
NO SCALE



SOUTH LAKES SPORTS PARK WICHITA, KS

Issue:		
100% PLANS		10/18/23
JOB NO.	220008-003	
DATE	18 OCTOBER 2023	
PM	NLS	
DESIGNED BY	SMC	
DRAWN BY	JCM	
CHECKED BY	SMC	

MECHANICAL DETAILS

M501