

PLUMBING FIXTURE SCHEDULE

MARK	DESCRIPTION	MANUF.	MODEL	DIMENSIONS	ADA COMPLIANT	MATERIAL DESCRIPTION AND FINISH	TRIM			FLOW		PIPE RUNOUT SIZES				SPECIFICATION	
							MANUF.	MODEL	CONTROL TYPE	POWER	GALLONS PER MINUTE (GPM)	GALLONS PER FLUSH (GPF)	COLD WATER	HOT WATER	WASTE		VENT
WC-1	WATER CLOSET - FLUSH VALVE - FLOOR MOUNTED	KOHLER	K-96057 "HIGHCLIFF ULTRA"	17" MIN. - 19" MAX. SEAT HEIGHT	YES	WHITE VITREOUS CHINA	SLOAN	111 SFSM-1.28-DFB	SENSOR	BATTERY	--	1.28	1-1/4"	--	3"	2"	ELONGATED BOWL - 1-1/2" TOP SPUD - BATTERY POWERED SENSOR OPERATED FLUSH VALVE WITH DUAL FILTERED BYPASS, TRUE MECHANICAL OVERRIDE - WHITE SOLID PLASTIC ELONGATED OPEN FRONT SEAT, LESS COVER
WC-2	WATER CLOSET - FLUSH VALVE - FLOOR MOUNTED	KOHLER	K-96053 "WELCOMME ULTRA"	--	NO	WHITE VITREOUS CHINA	SLOAN	111 SFSM-1.28-DFB	SENSOR	BATTERY	--	1.28	1-1/4"	--	3"	2"	ELONGATED BOWL - 1-1/2" TOP SPUD - BATTERY POWERED SENSOR OPERATED FLUSH VALVE WITH DUAL FILTERED BYPASS, TRUE MECHANICAL OVERRIDE - WHITE SOLID PLASTIC ELONGATED OPEN FRONT SEAT, LESS COVER
UR-1	URINAL - WALL MOUNTED	KOHLER	K-4991-ET "BARDON"	17" MAX RIM HEIGHT	YES	WHITE VITREOUS CHINA	SLOAN	186 SFSM-0.5-DFB	SENSOR	BATTERY	--	0.5	1"	--	2"	1-1/2"	3/4" TOP SPUD - CARRIER - BATTERY POWERED SENSOR OPERATED FLUSH VALVE WITH DUAL FILTERED BYPASS, TRUE MECHANICAL OVERRIDE
UR-2	URINAL - WALL MOUNTED	KOHLER	K-4991-ET "BARDON"	24" MAX RIM HEIGHT	NO	WHITE VITREOUS CHINA	SLOAN	186 SFSM-0.5-DFB	SENSOR	BATTERY	--	0.5	1"	--	2"	1-1/2"	3/4" TOP SPUD - CARRIER - BATTERY POWERED SENSOR OPERATED FLUSH VALVE WITH DUAL FILTERED BYPASS, TRUE MECHANICAL OVERRIDE
LV-1	LAVATORY - INTEGRAL	--	--	--	YES	WHITE VITREOUS CHINA	SLOAN	ETF-600-BOX-BDT-CP-0.5GPM-MLM-IR-FCT	SENSOR	HARD WIRED	0.5	--	1/2"	1/2"	2"	1-1/2"	LAVATORY INTEGRAL TO COUNTERTOP BY OTHERS - HARD-WIRED TRANSFORMER FOR SENSOR FAUCET - ASSE 1070 THERMOSTATIC MIXING VALVE SET TO 105°F - DRAIN WITH GRID STRAINER - CHROME PLATED WALL SUPPLIES WITH LOOSE KEY QUARTER-TURN STOPS - 1-1/4" CHROME PLATED CAST BRASS P-TRAP - INSULATE P-TRAP AND HOT WATER SUPPLY
LV-2	LAVATORY - WALL HUNG	KOHLER	K-2005 "KINGSTON"	21-1/4" x 18-1/8", 16" x 10" BOWL	YES	WHITE VITREOUS CHINA	SLOAN	ETF-600-BOX-BDT-CP-0.5GPM-MLM-IR-FCT	SENSOR	HARD WIRED	0.5	--	1/2"	1/2"	2"	1-1/2"	LAVATORY WITH 3 HOLES ON 4" CENTERS - DRILLED FOR CONCEALED ARM CARRIER - HARD-WIRED TRANSFORMER FOR SENSOR FAUCET - ASSE 1070 THERMOSTATIC MIXING VALVE SET TO 105°F - DRAIN WITH GRID STRAINER - CHROME PLATED WALL SUPPLIES WITH LOOSE KEY QUARTER TURN STOPS - 1-1/4" CHROME PLATED CAST BRASS P-TRAP - FLOOR-MOUNTED CONCEALED ARM CARRIER - INSULATE P-TRAP AND HOT WATER SUPPLY
SK-1	HAND SINK - WALL HUNG	KOHLER	K-2005 "KINGSTON"	21-1/4" x 18-1/8", 16" x 10" BOWL	YES	WHITE VITREOUS CHINA	DELTA	27C4833	MANUAL	--	1.5	--	1/2"	1/2"	2"	1-1/2"	WALL-HUNG SINK WITH 3 HOLES ON 4" CENTERS - DRILLED FOR CONCEALED ARM CARRIER - TWO-HANDLE FAUCET WITH QUARTER TURN CERAMIC CARTRIDGES, 4.5" GOOSENECK SPOUT, 1.5 GPM AERATOR, AND 3" LEVER HANDLES - ASSE 1070 THERMOSTATIC MIXING VALVE SET TO 105°F - DRAIN WITH GRID STRAINER - CHROME PLATED WALL SUPPLIES WITH LOOSE KEY QUARTER TURN STOPS - 1-1/4" CHROME PLATED CAST BRASS P-TRAP - FLOOR-MOUNTED CONCEALED ARM CARRIER - INSULATE P-TRAP AND HOT WATER SUPPLY
MB-1	MOP BASIN	FIAT	MSB 2424	24" x 24" x 10"	--	MOLDED STONE	CHICAGO FAUCET CO	897-CCP	MANUAL	--	--	--	3/4"	3/4"	3"	2"	WITH E-88-AA STAINLESS STEEL BUMPERGUARD - MSG2424 STAINLESS STEEL WALLGUARD - FAUCET WITH VACUUM BREAKER, STOPS, ADJUSTABLE WALL BRACE, PAIL HOOK, 3/4" HOSE THREAD SPOUT - 3" CAST IRON P-TRAP
IB-1	ICEMAKER BOX	GUY GRAY	MIB1	7" x 7" FACE, 4-1/8"W x 4-3/4"H ROUGH-IN	--	WHITE PAINTED STEEL	--	--	--	--	--	--	1/2"	--	--	--	18 GAUGE FACEPLATE AND BOX - QUARTER-TURN VALVE
HB-1	EXTERIOR WALL HYDRANT	WOODFORD	B67	7-1/2"W x 6-1/2"H BOX DIMENSIONS	--	CHROME FINISH, BRASS BOX	--	--	MANUAL	--	--	--	3/4"	--	--	--	DOUBLE CHECK BACKFLOW PREVENTER - FREEZELESS - TAMPER RESISTANT BRASS BOX - INSTALL 30" ABOVE GRADE (VERIFY MOUNTING HEIGHT WITH ARCHITECT)

AIR HANDLING UNIT SCHEDULE

REMARKS:
 1. SELECTION BASED ON TRANE AIR HANDLER GAM5B0C60 WITH BAYEABC20BK1A ELECTRIC HEATER. ELECTRIC HEATER IS TWO CIRCUITS, WITH THE BLOWER MOTOR CONNECTED TO THE FIRST CIRCUIT.

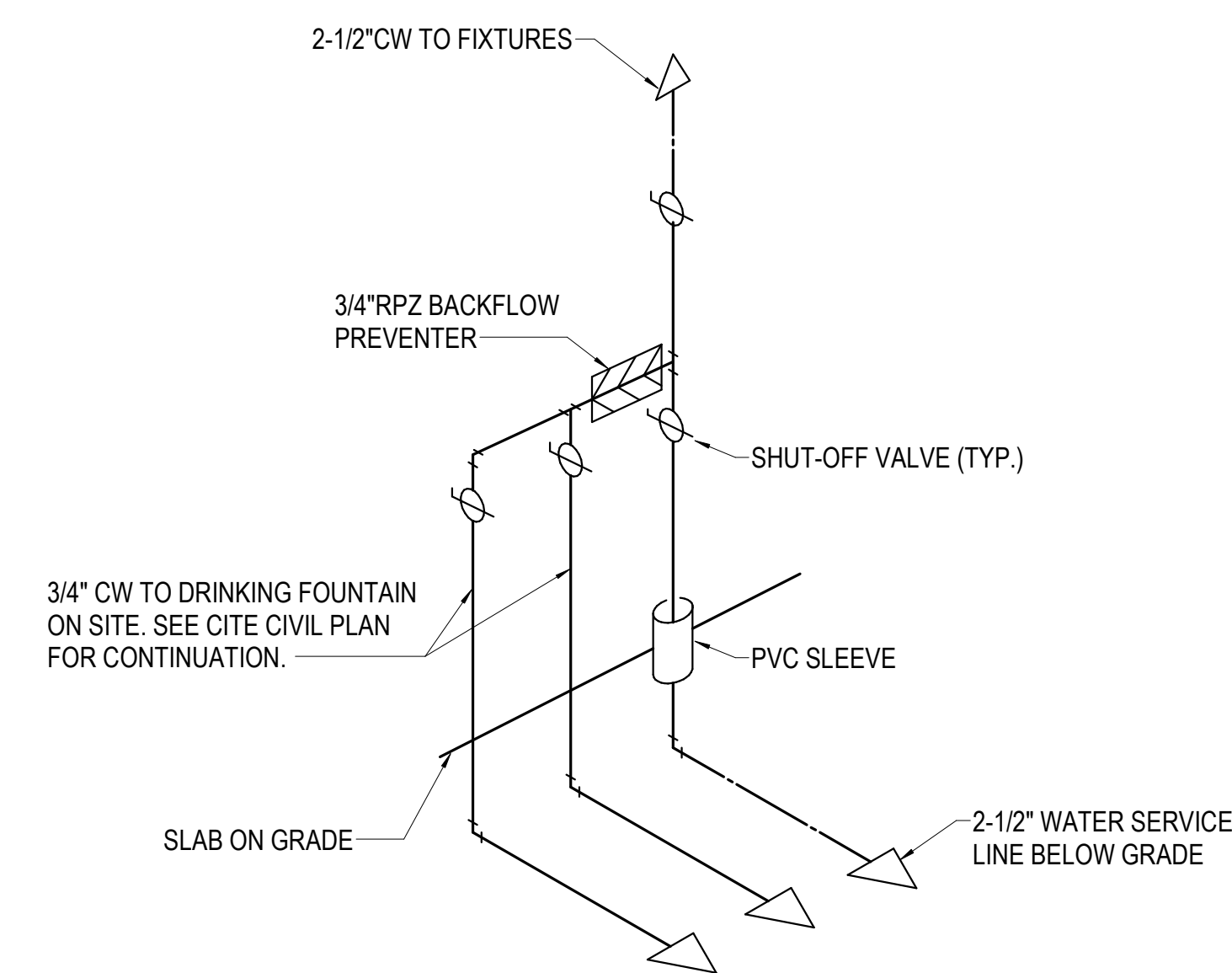
NOTES:
 - PROVIDE ALL UNITS WITH WALL MOUNTED, DIGITAL, 7-DAY PROGRAMMABLE T-STAT WITH PUSH BUTTON OVER-RIDE. WIRE AND PROGRAM THE THERMOSTAT SO THAT THE HEAT PUMP AND ELECTRIC HEAT DO NOT OPERATE AT THE SAME TIME. ELECTRIC HEAT SHALL OPERATE ONLY IF THE HEAT PUMP CANNOT KEEP UP WITH THE LOAD.
 - PROVIDE FILTER RACK AND 2 SETS OF AIR FILTERS FOR ALL UNITS.

MARK	CFM	ESP	HP	DRIVE	MBH COOLING		ENT AIR		MATCH W/ COND. UNIT	HEAT			UNIT		MIN OA CFM	REMARKS
					TOTAL	SEN	DB	WB		KW	STEPS	ELECT	VOLT	MCA		
AH-01	1,900	0.6	1	DIR	51.4	40.1	78	65	HP-01	7.2 + 7.2	1 EA.	208/1	208/1	53/43	350	1

HEAT PUMP SCHEDULE

REMARKS:
 1. BASED ON TRANE 4TWR4060N1 HEAT PUMP WITH HAIL GUARDS.
 2. PROVIDE LOW AMBIENT COOLING TO 30°F ALL UNITS.

MARK	LOC	MATCH WITH	COOLING			HEAT		ELECTRICAL				REMARKS	
			EAT DB	EAT WB	TOT (MBH)	OAT	MIN SEER	MBH AT 47°F	VOLT	COMP RLA	COND FLA		MCA
HP-01	GROUND	AH-01	78	65	51.4	105°F	14	21.8	208/1	23.7	2.8	32	1, 2



1 WATER RISER SCHEMATIC
NO SCALE



SOUTH LAKES SPORTS PARK WICHITA, KS

Issue:		
100% PLANS		10/18/23
JOB NO.	220008-003	
DATE	18 OCTOBER 2023	
PM	NLS	
DESIGNED BY	SMC	
DRAWN BY	JCM	
CHECKED BY	SMC	
MECHANICAL SCHEDULES		

M601

10/18/2023 2:23:08 PM
 Autodesk Docs://220008-001 - South Lakes Pickleball Complex/220008-001_MECH_R22.rvt