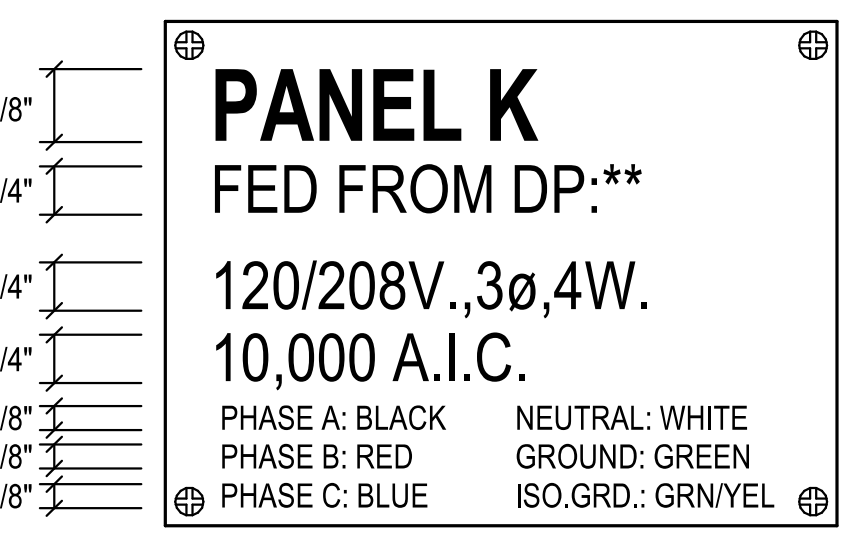
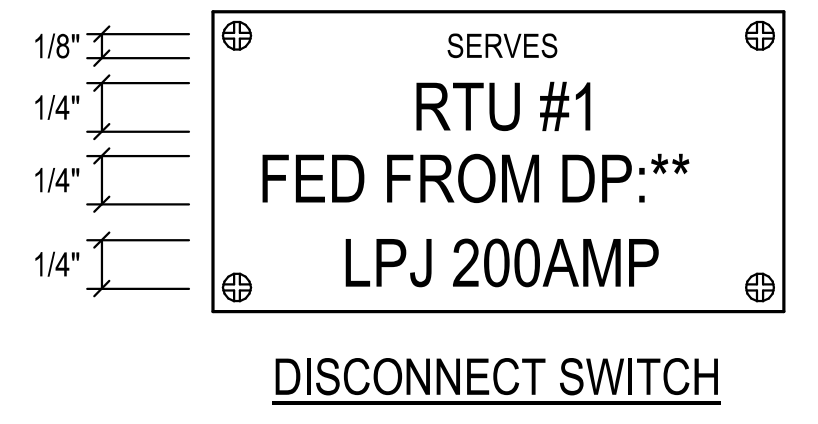
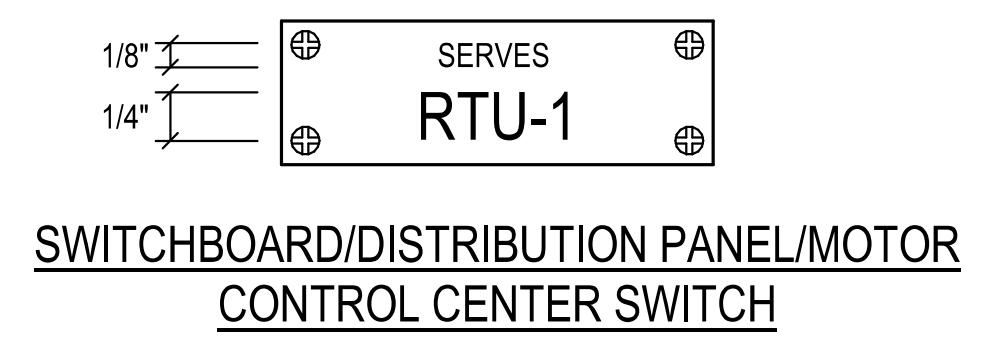


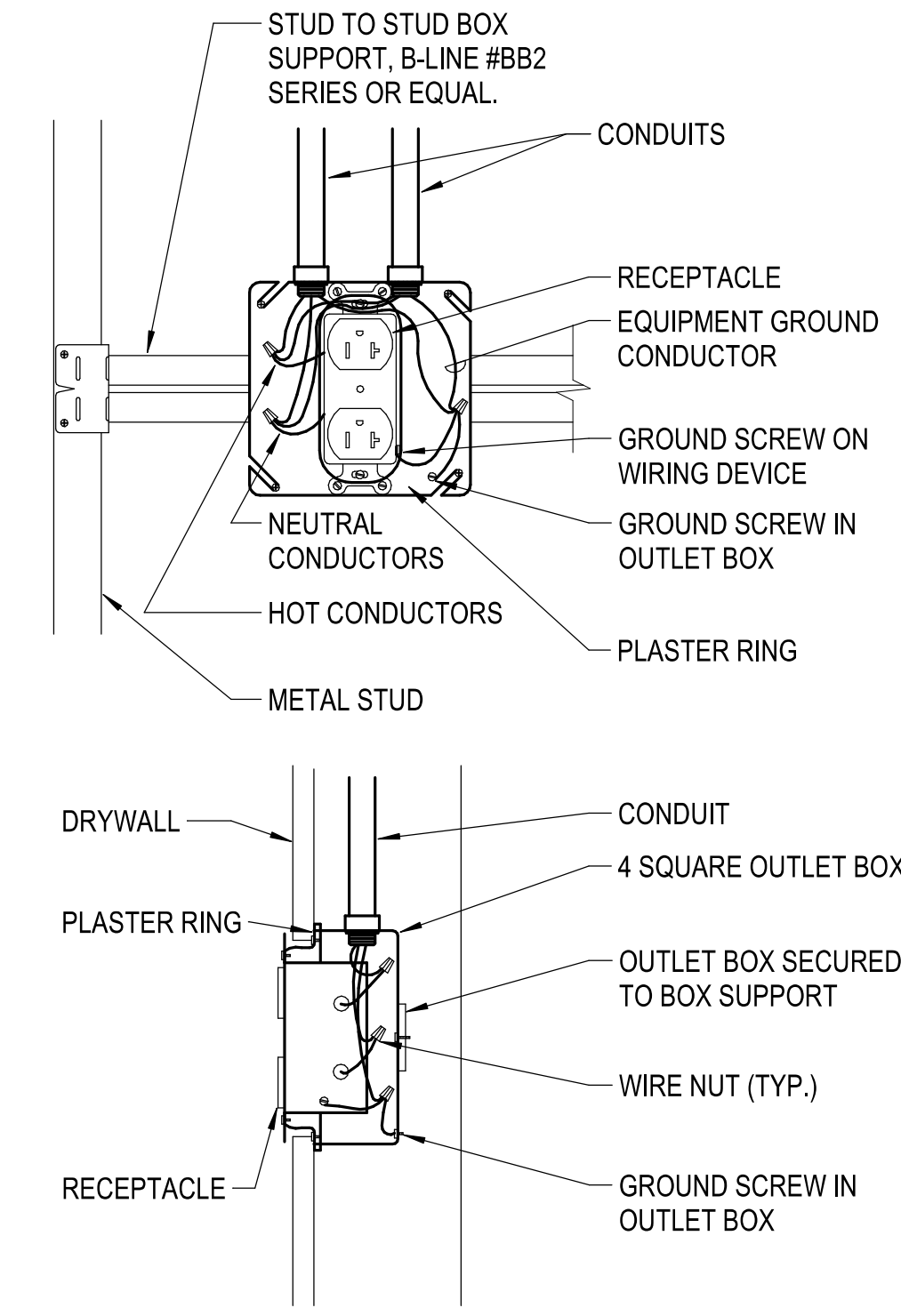
- NOTES:**
1. PROVIDE OTHER GROUNDING CONNECTIONS AS SPECIFIED IN NEC SECTION 250.50.
 2. LABEL EACH GROUNDING ELECTRODE CONDUCTOR AND BONDING JUMPER.
 3. WHERE CONDUCTORS ARE ROUTED IN FERROUS CONDUIT, BOND BOTH ENDS OF THE CONDUIT TO THE CONDUCTOR.

1 SYSTEM GROUNDING DETAIL - PANEL
NO SCALE

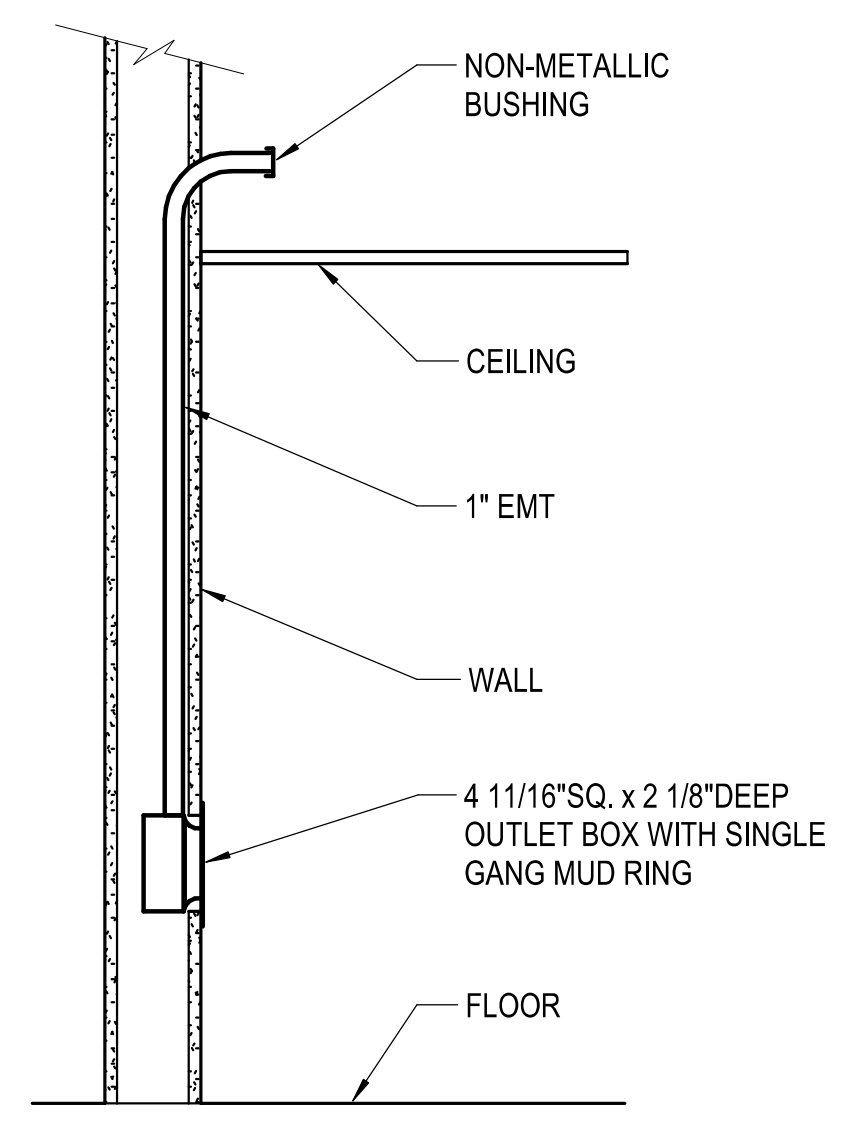


NOTE:
SEE SPECIFICATION SECTION 260500 FOR NAMEPLATE COLOR REQUIREMENTS

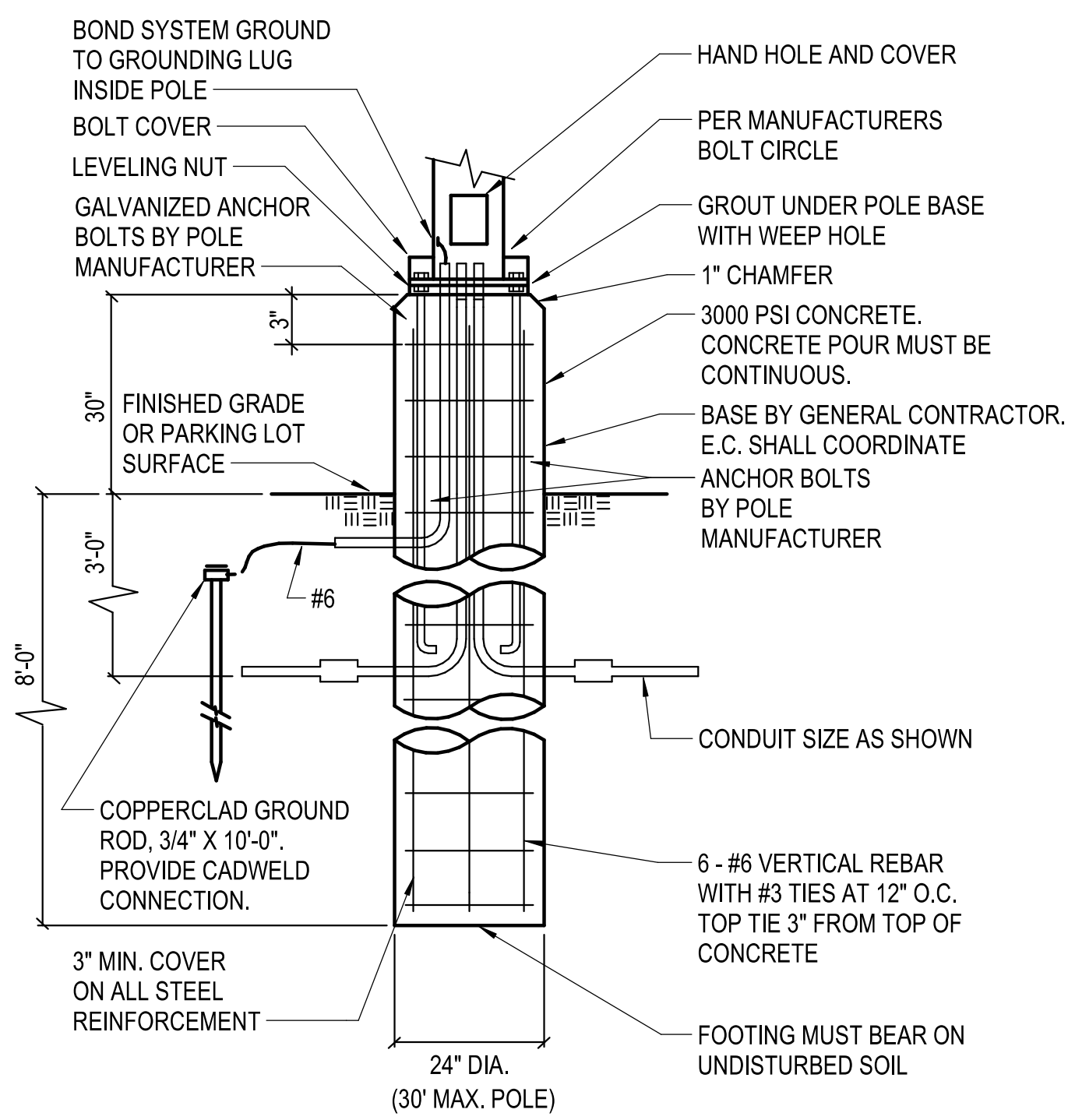
2 TYPICAL NAMEPLATES
NO SCALE



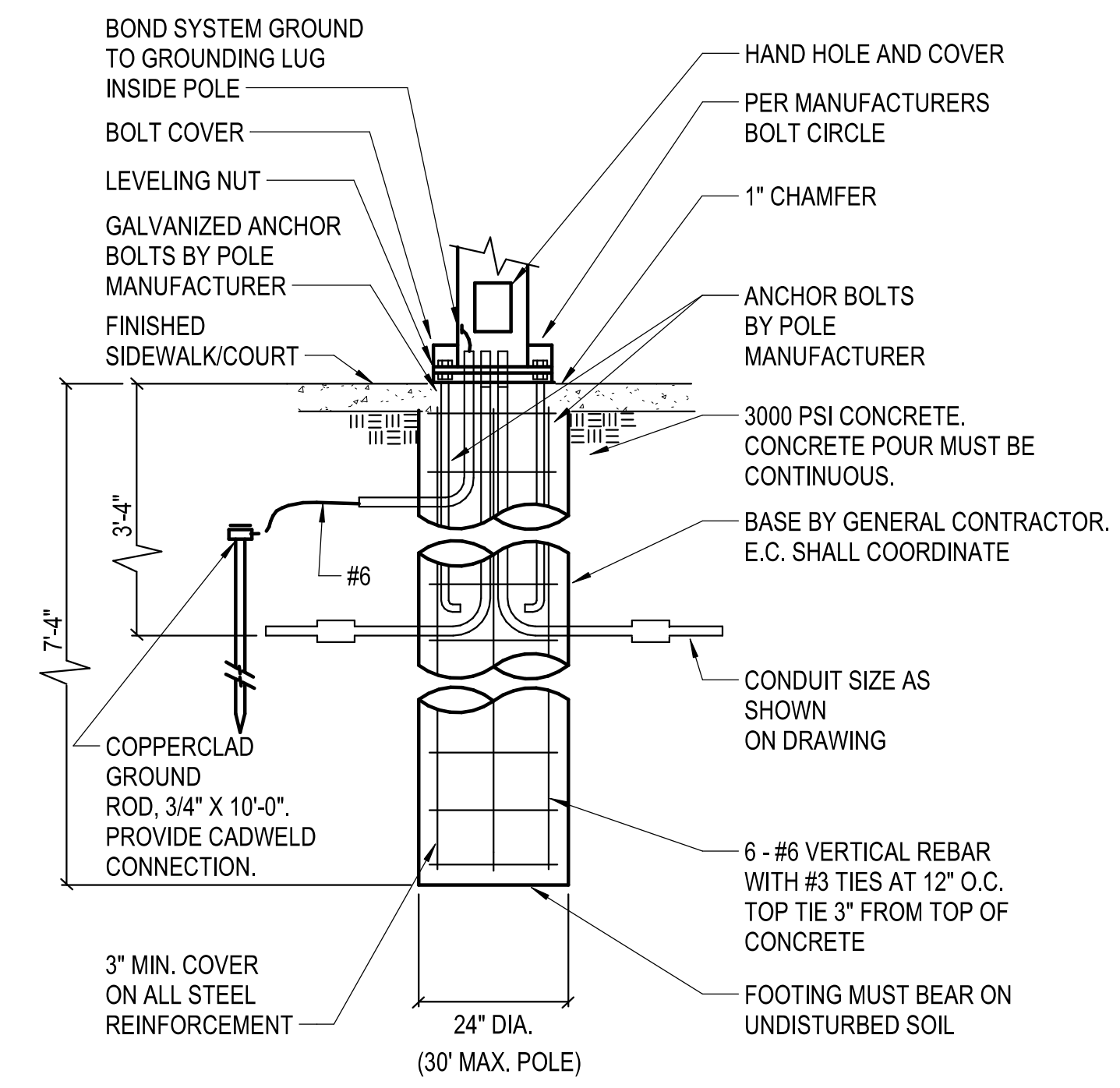
3 TYPICAL RECEPTACLE MOUNTING DETAIL
NO SCALE



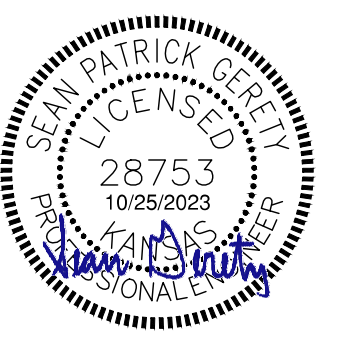
4 TELECOM TYPICAL OUTLET MOUNTING DETAIL
NO SCALE



5 POLE BASE DETAIL ABOVE GRADE - 30' MAX
NO SCALE



6 POLE BASE DETAIL AT GRADE - 30' MAX
NO SCALE



SOUTH LAKES SPORTS PARK WICHITA, KS

Issue:		
100% PLANS		10/18/23
BID SETS		10/25/23
JOB NO.	220008-003	
DATE	18 OCTOBER 2023	
PM	NLS	
DESIGNED BY	DCG	
DRAWN BY	SRM	
CHECKED BY	SMS	

ELECTRICAL DETAILS