

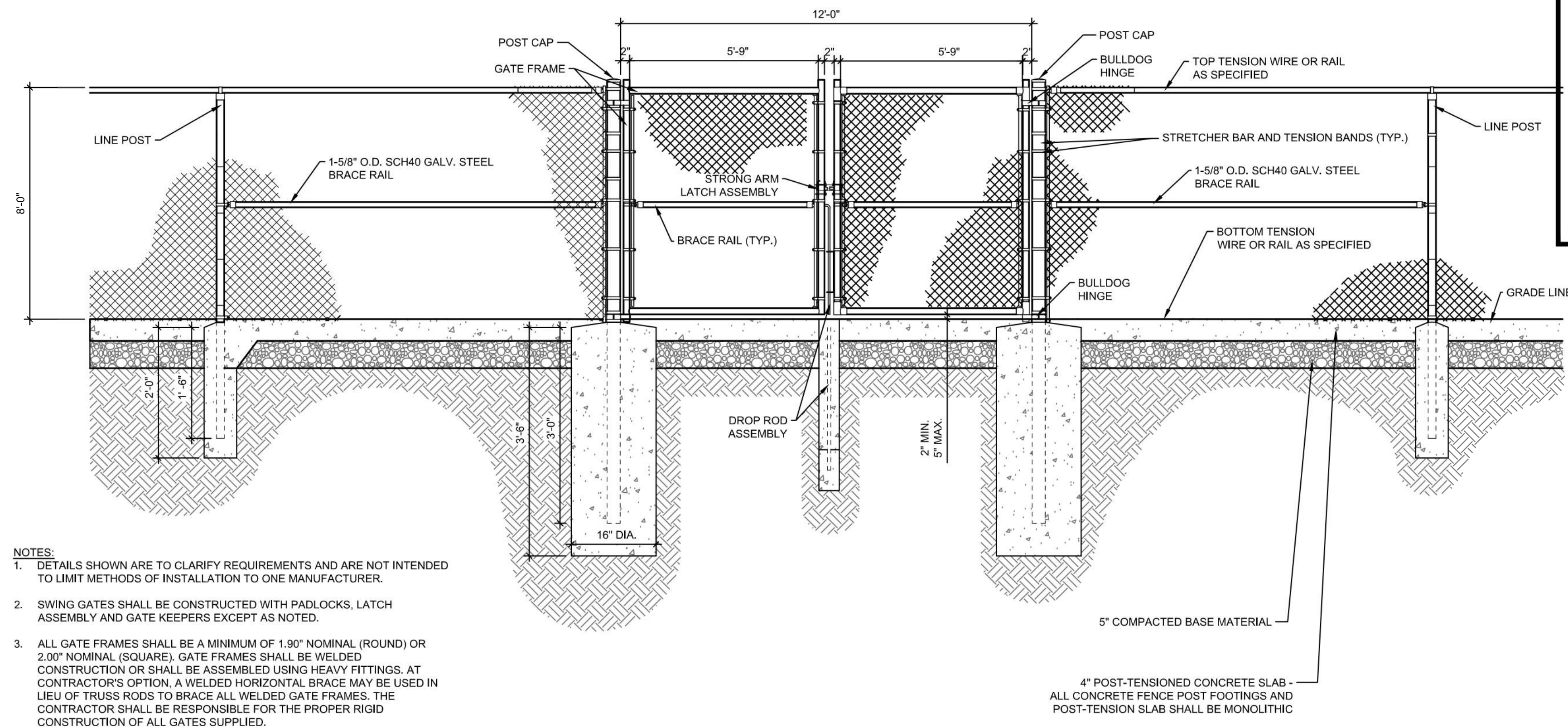


SOUTH LAKES PARK - PICKLEBALL COMPLEX
WICHITA, KS

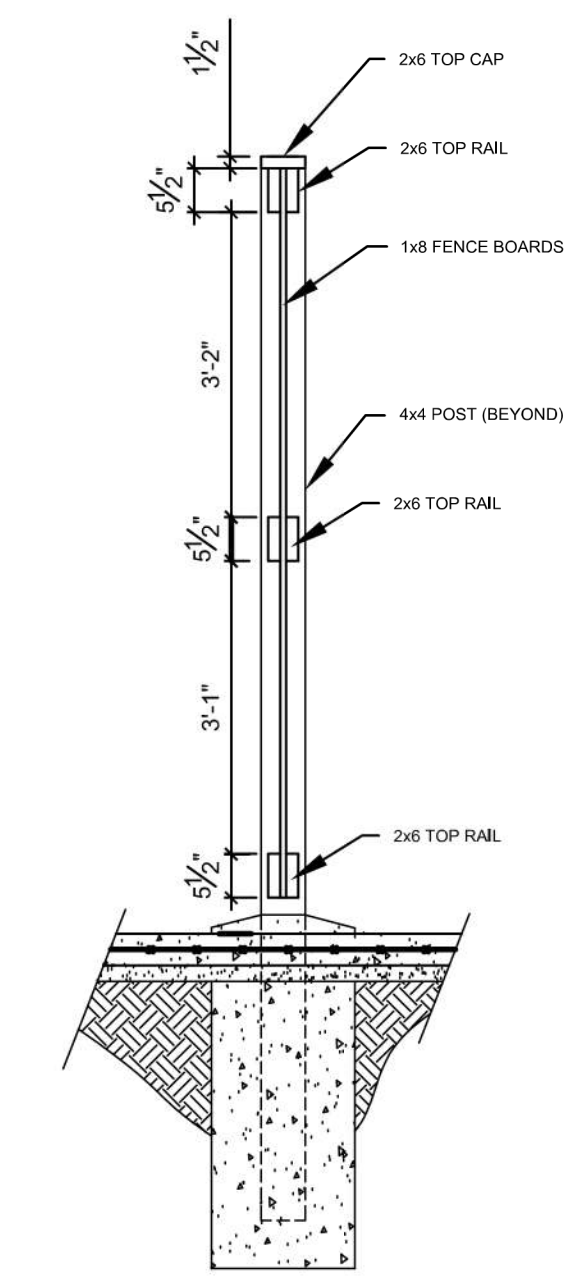
Issue:		
BID SET		5/25/23
JOB NO.	220008-001	
DATE	25 MAY 2023	
PM	NLS	
DESIGNED BY	NLS	
DRAWN BY	JSG	
CHECKED BY	MEB	

SITE ARCHITECTURAL DETAILS

SA506

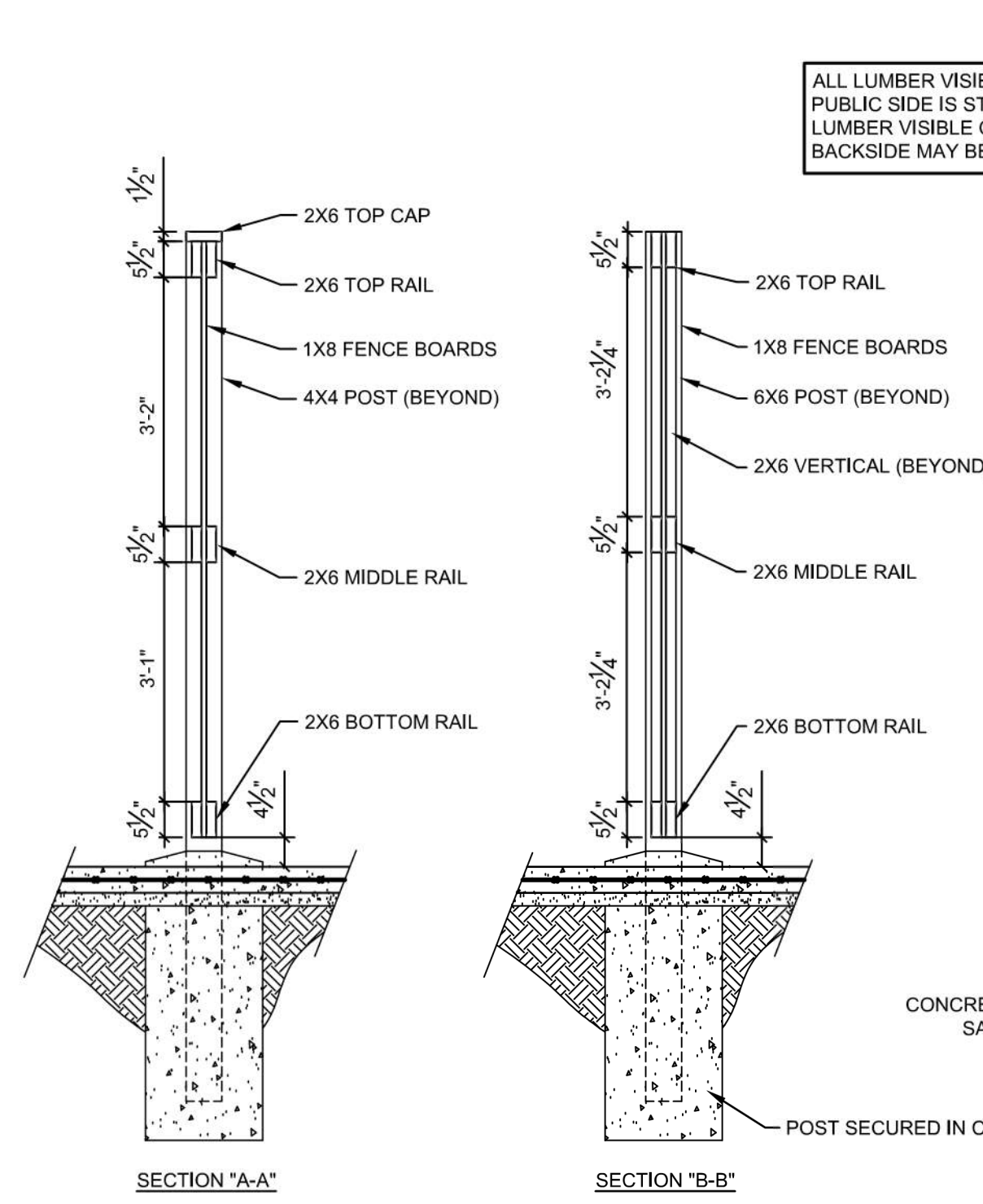


- NOTES:**
1. DETAILS SHOWN ARE TO CLARIFY REQUIREMENTS AND ARE NOT INTENDED TO LIMIT METHODS OF INSTALLATION TO ONE MANUFACTURER.
 2. SWING GATES SHALL BE CONSTRUCTED WITH PADLOCKS, LATCH ASSEMBLY AND GATE KEEPERS EXCEPT AS NOTED.
 3. ALL GATE FRAMES SHALL BE A MINIMUM OF 1.90\"/>

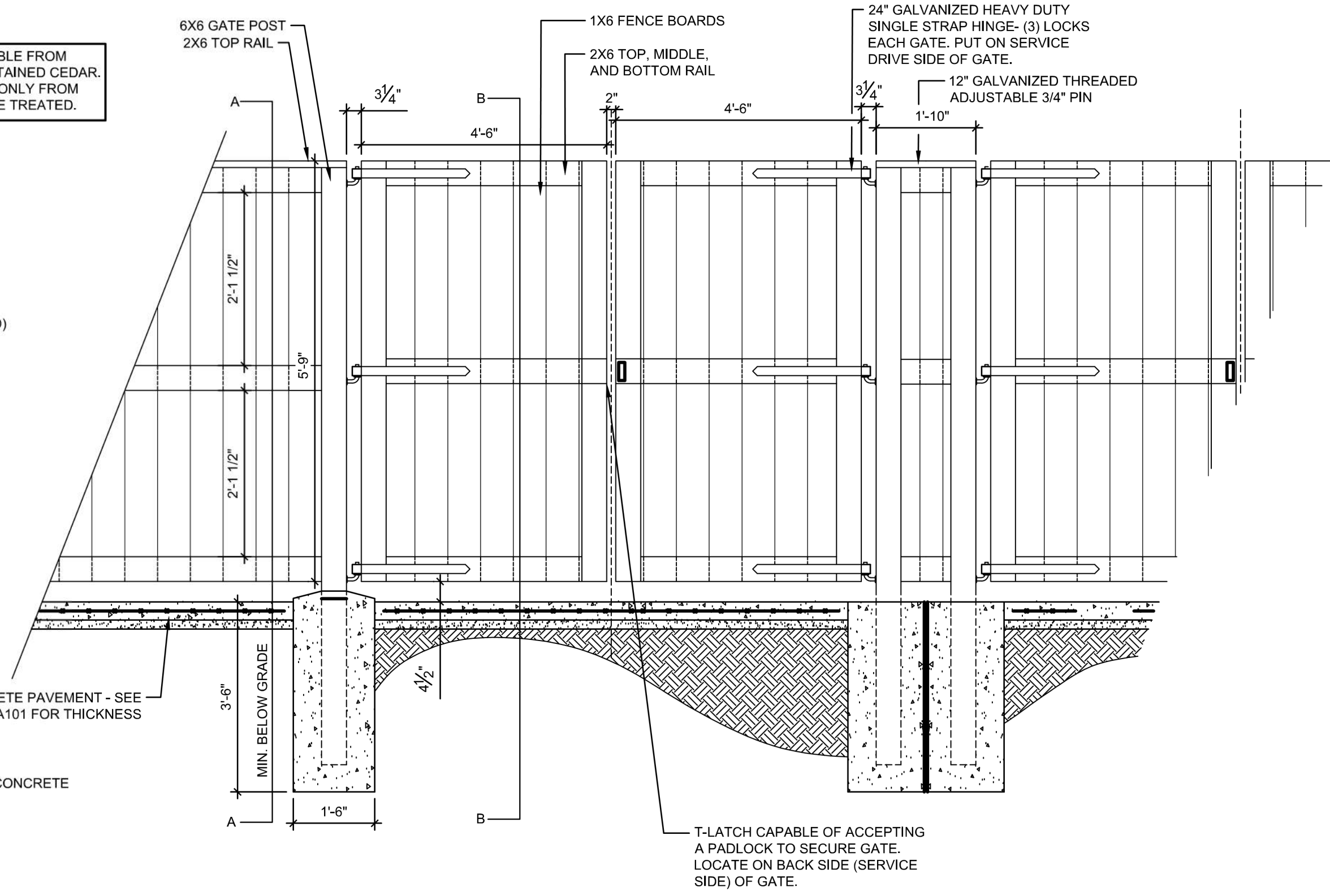


1 WOOD FENCE SECTION
1/2\"/>

2 DOUBLE SWING GATE
3/4\"/>



3 WOOD PICKET FENCE
1/2\"/>



ALL LUMBER VISIBLE FROM PUBLIC SIDE IS STAINED CEDAR. LUMBER VISIBLE ONLY FROM BACKSIDE MAY BE TREATED.

CONCRETE PAVEMENT - SEE SA101 FOR THICKNESS

T-LATCH CAPABLE OF ACCEPTING A PADLOCK TO SECURE GATE. LOCATE ON BACK SIDE (SERVICE SIDE) OF GATE.

SAVED 10/26/2023 3:32:16 AM BY ROY, THOMAS
PLOTTED 10/26/2023 9:50:26 AM BY ROY, THOMAS
U:\WICHITA-CIVIL\2022\220008\03\MUNIDRAWINGS\220008-003-SA501.DWG