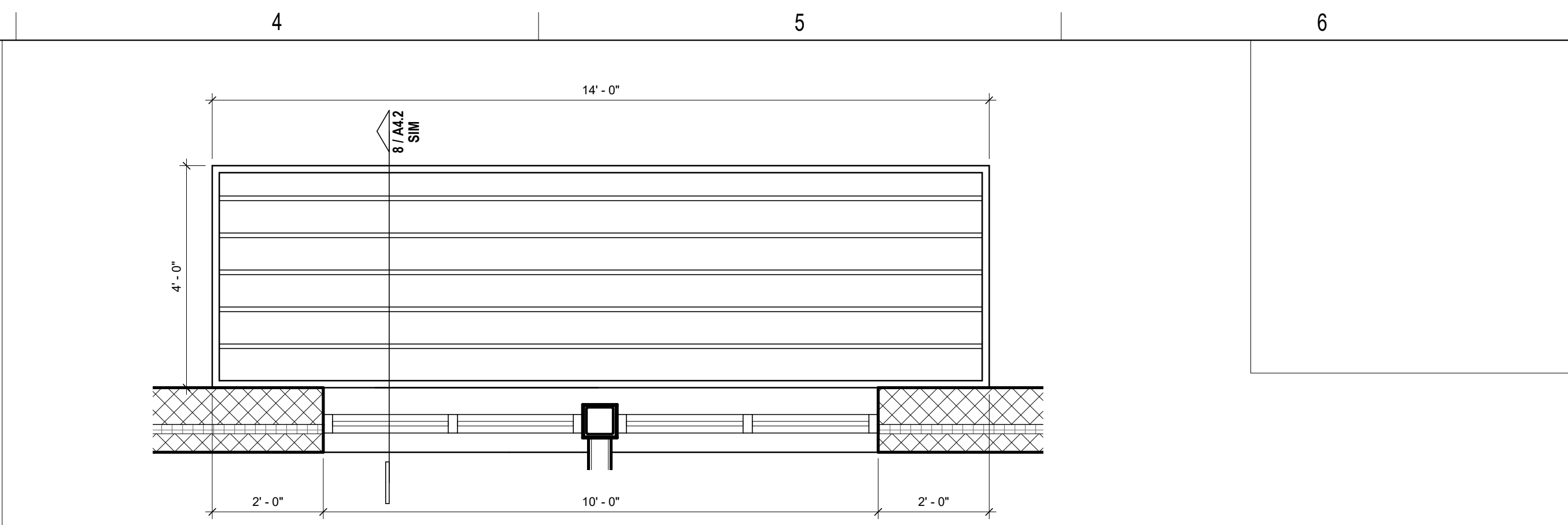
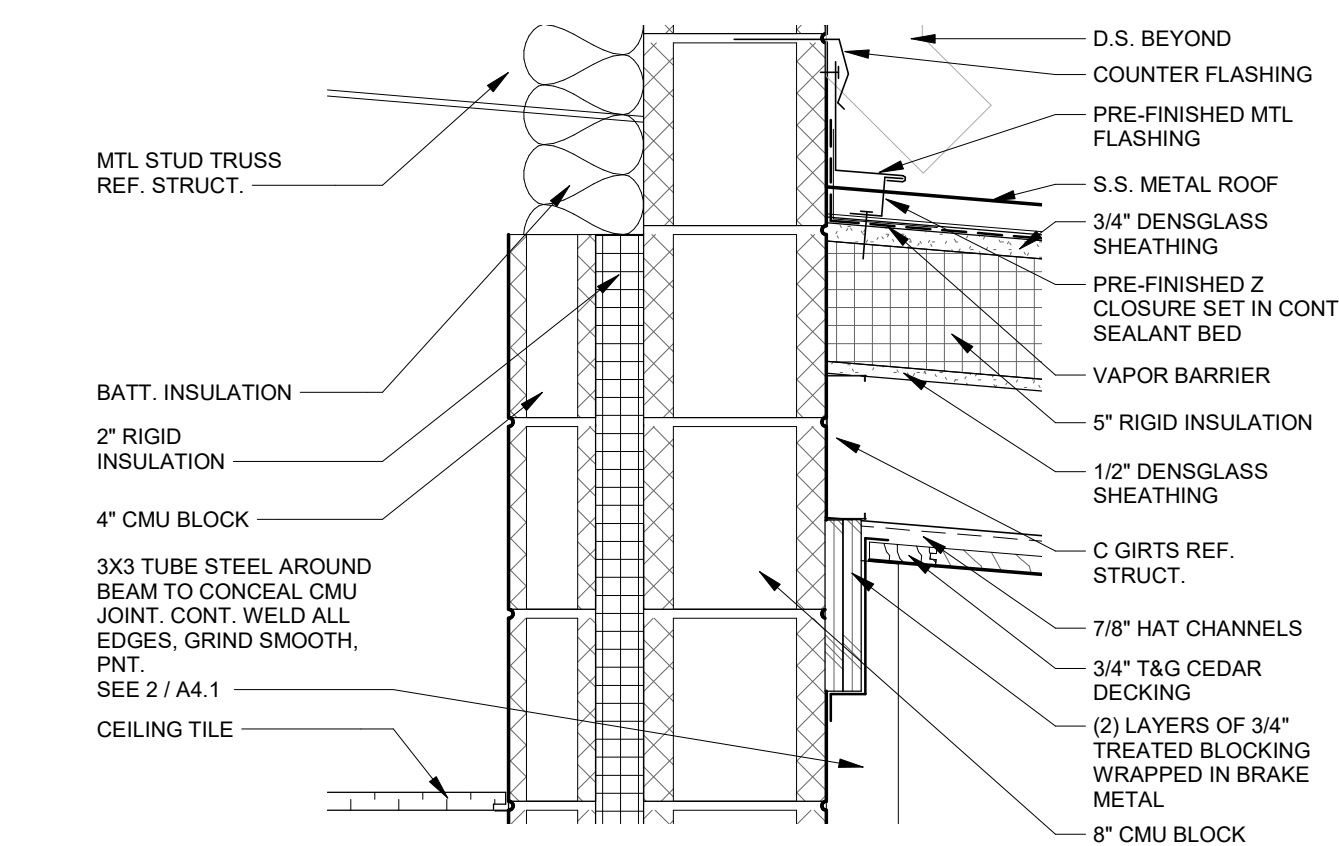
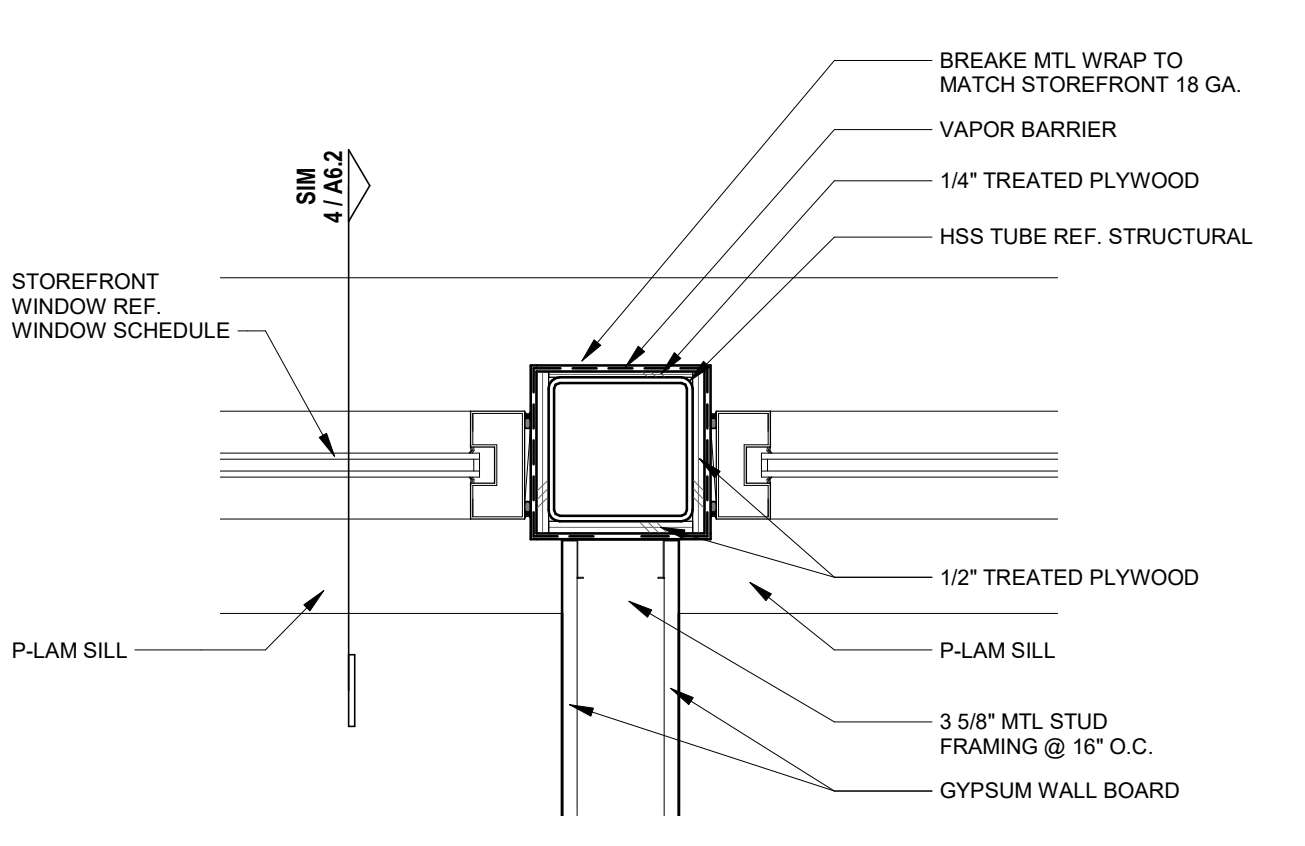
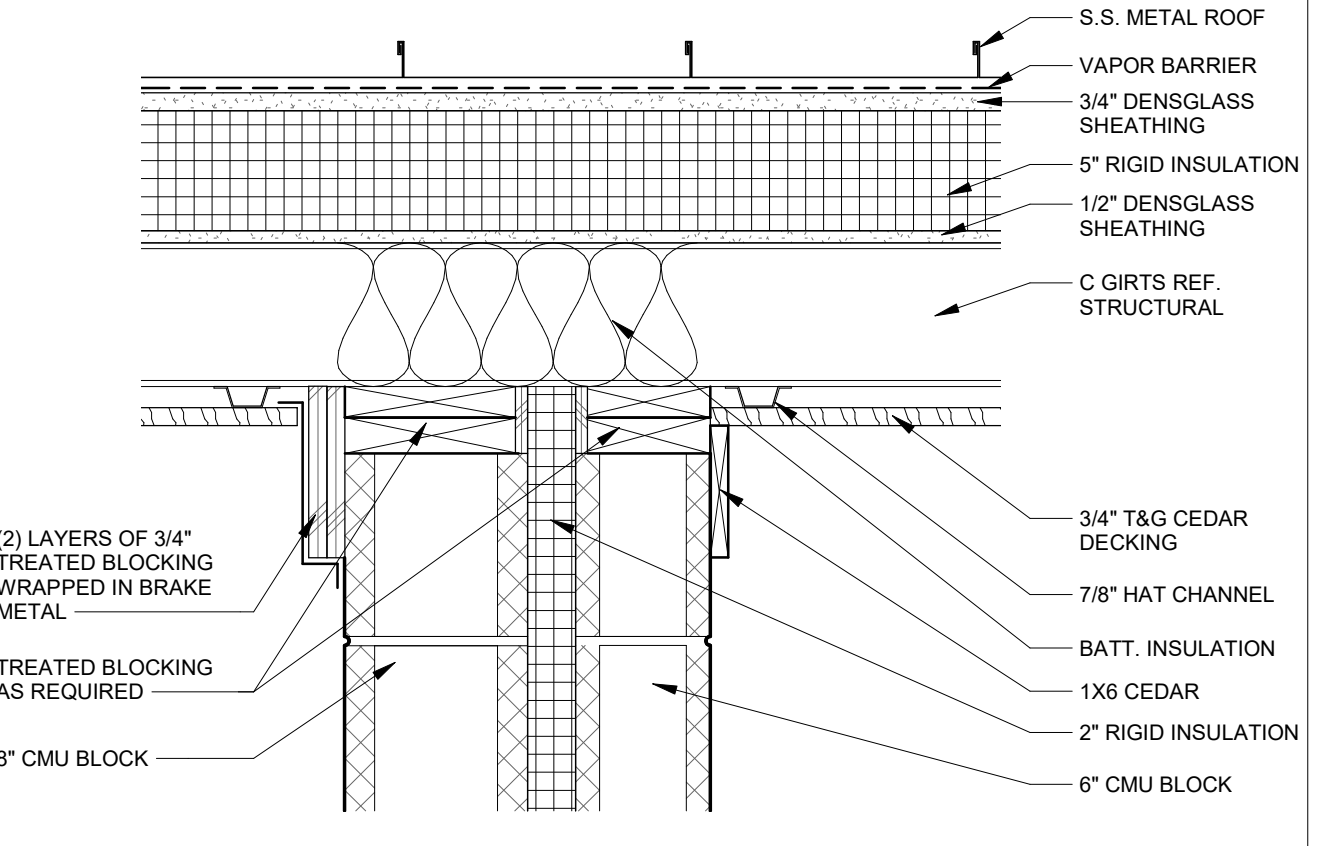
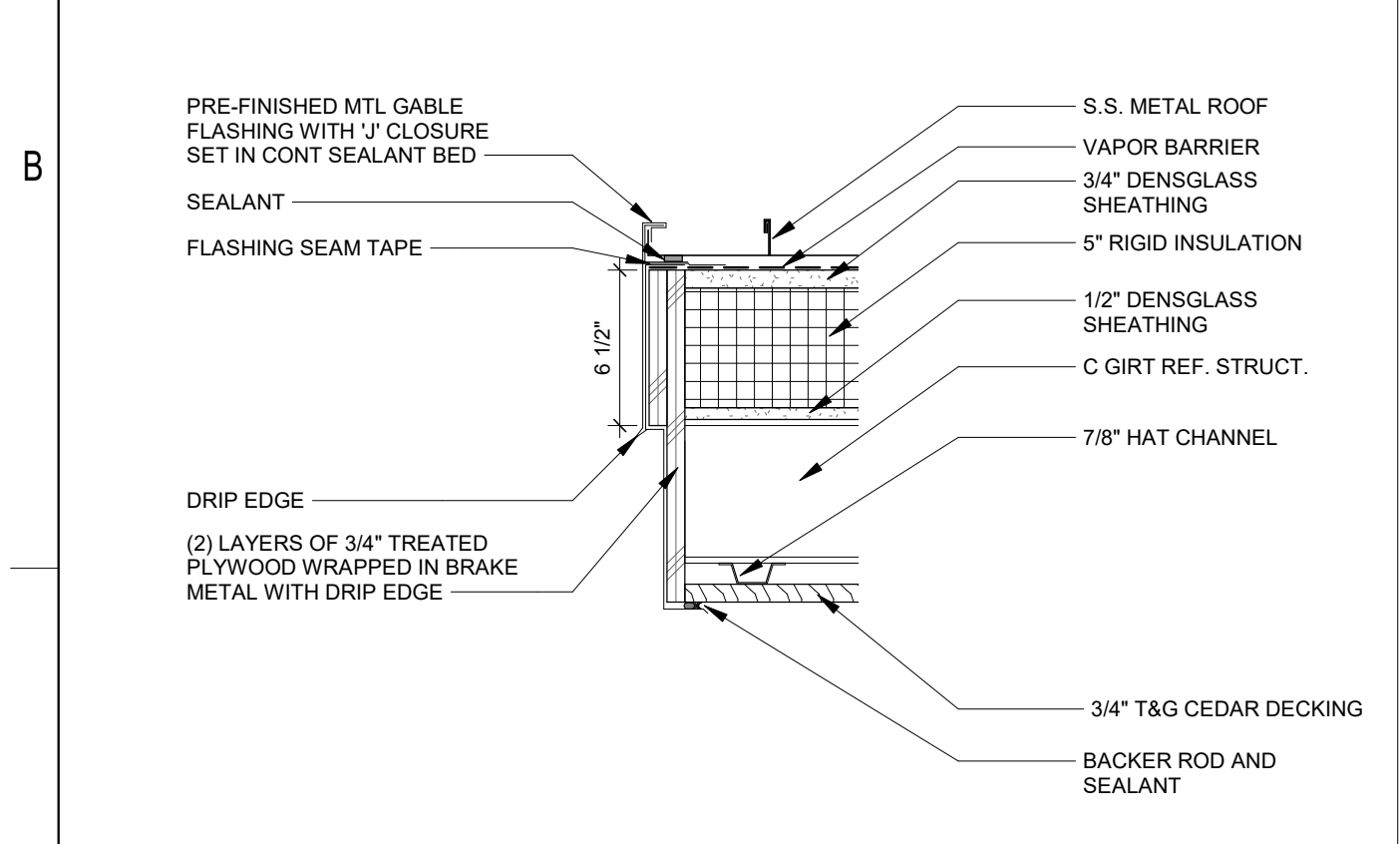


1 AWNING 1
1/2" = 1'-0"



2 AWNING 2
1/2" = 1'-0"

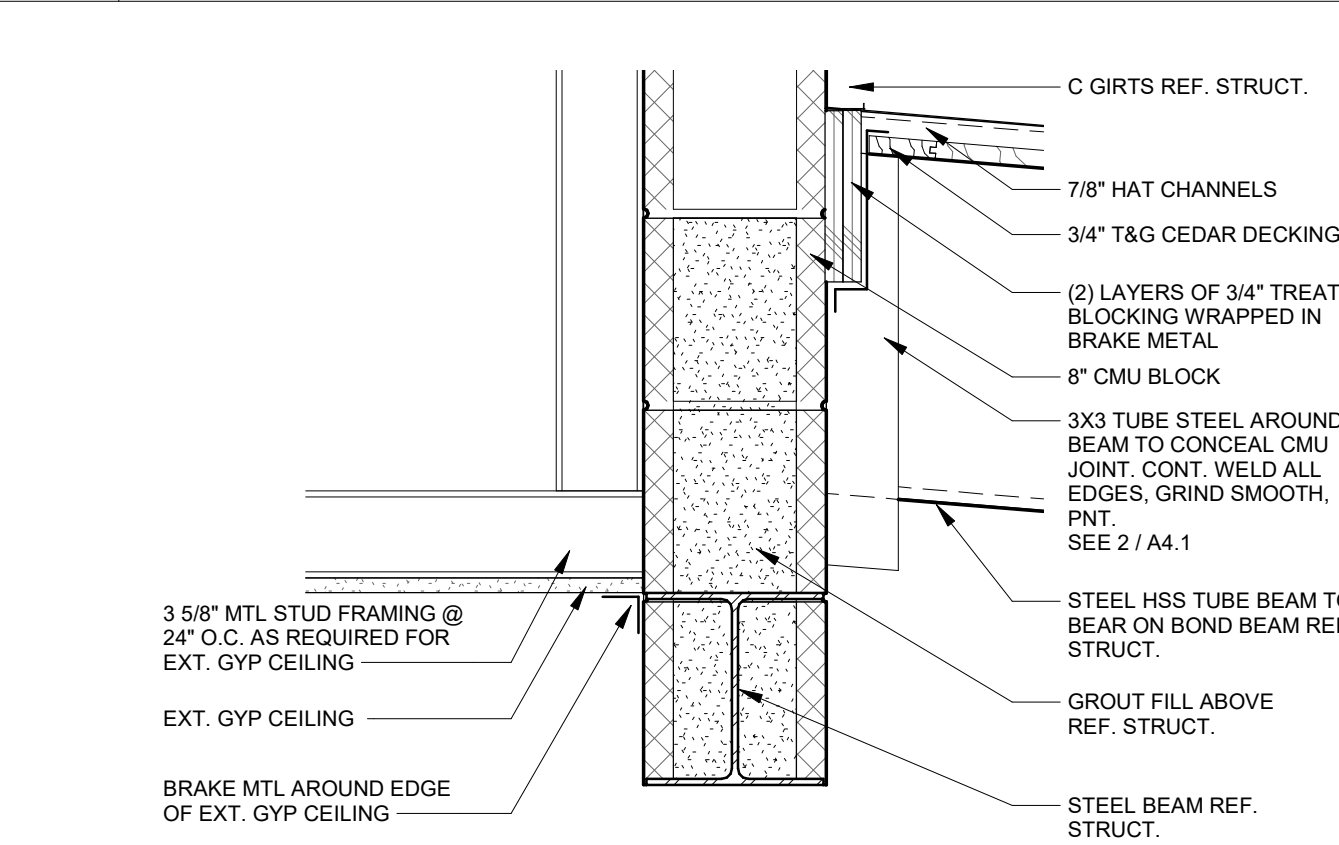
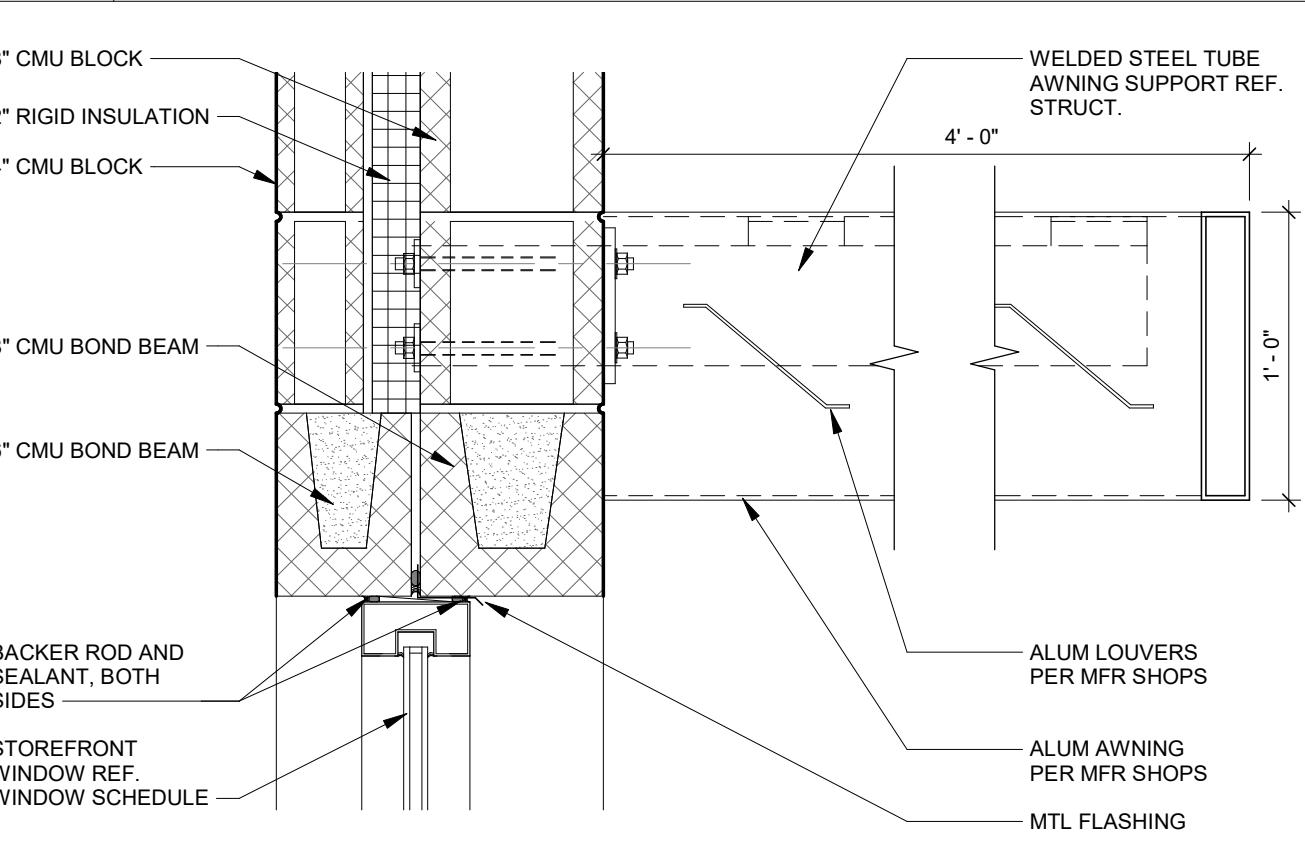
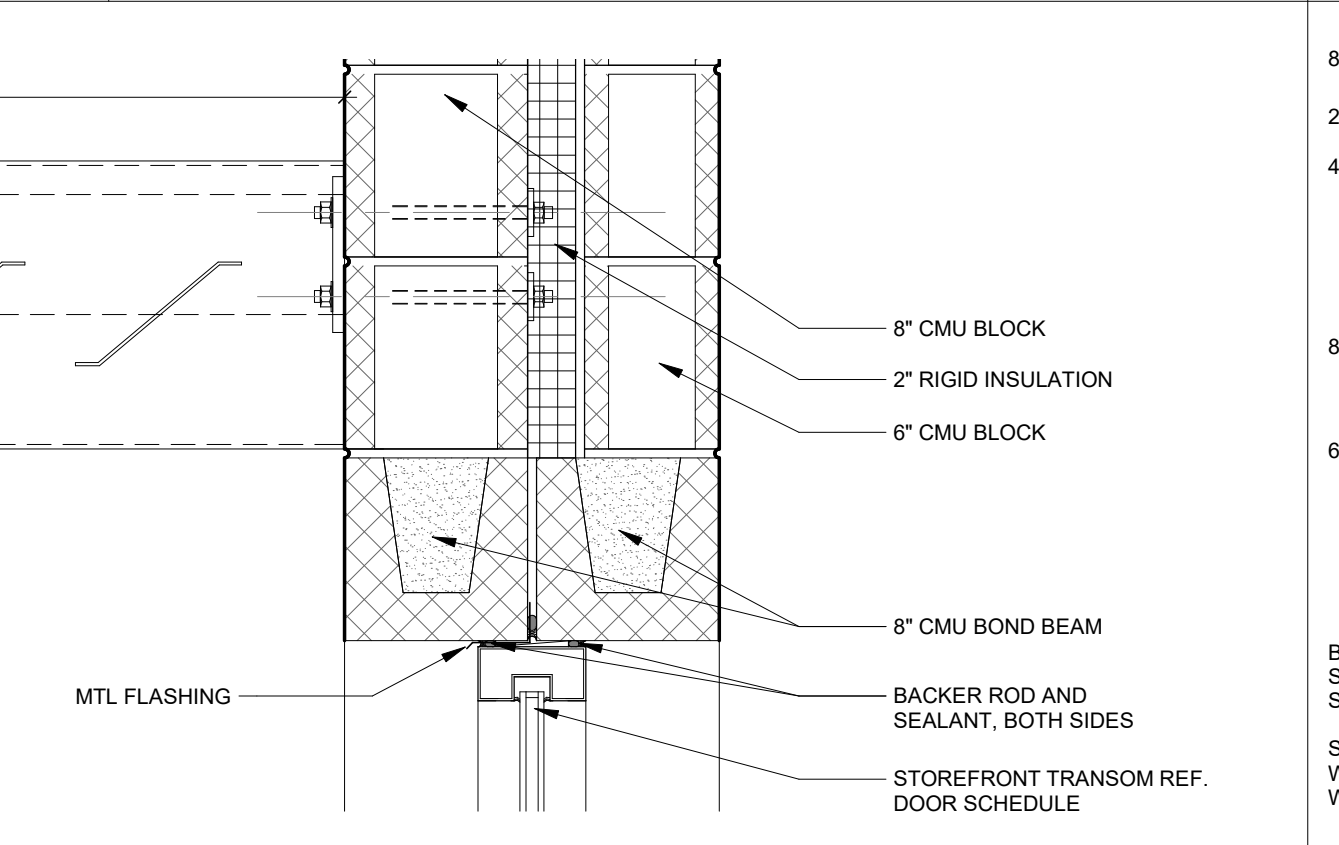
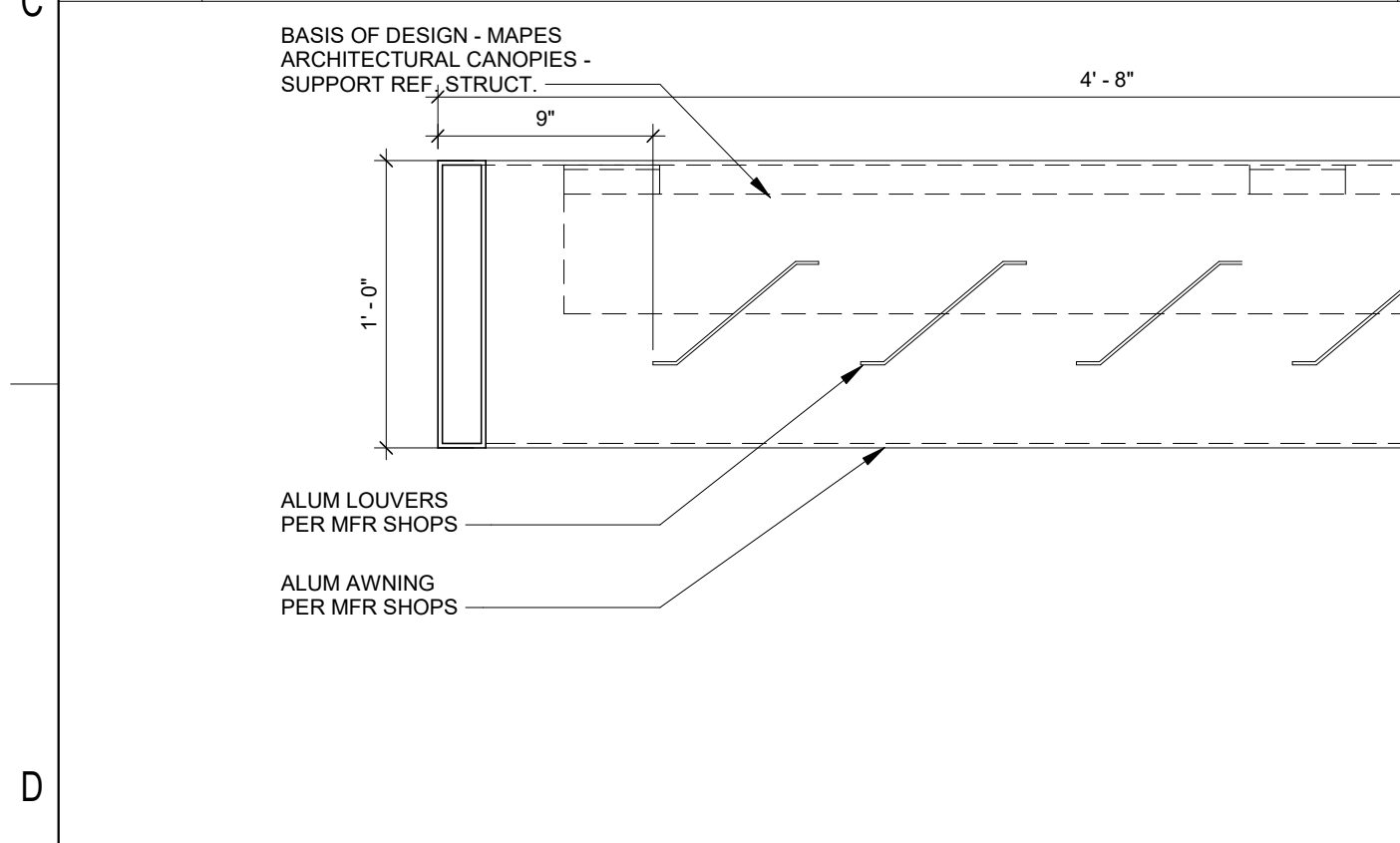


3 FASCIA DETAIL
1 1/2" = 1'-0"

4 CMU TO ROOF DETAIL
1 1/2" = 1'-0"

5 WINDOW AND CMU PLAN DETAIL
1 1/2" = 1'-0"

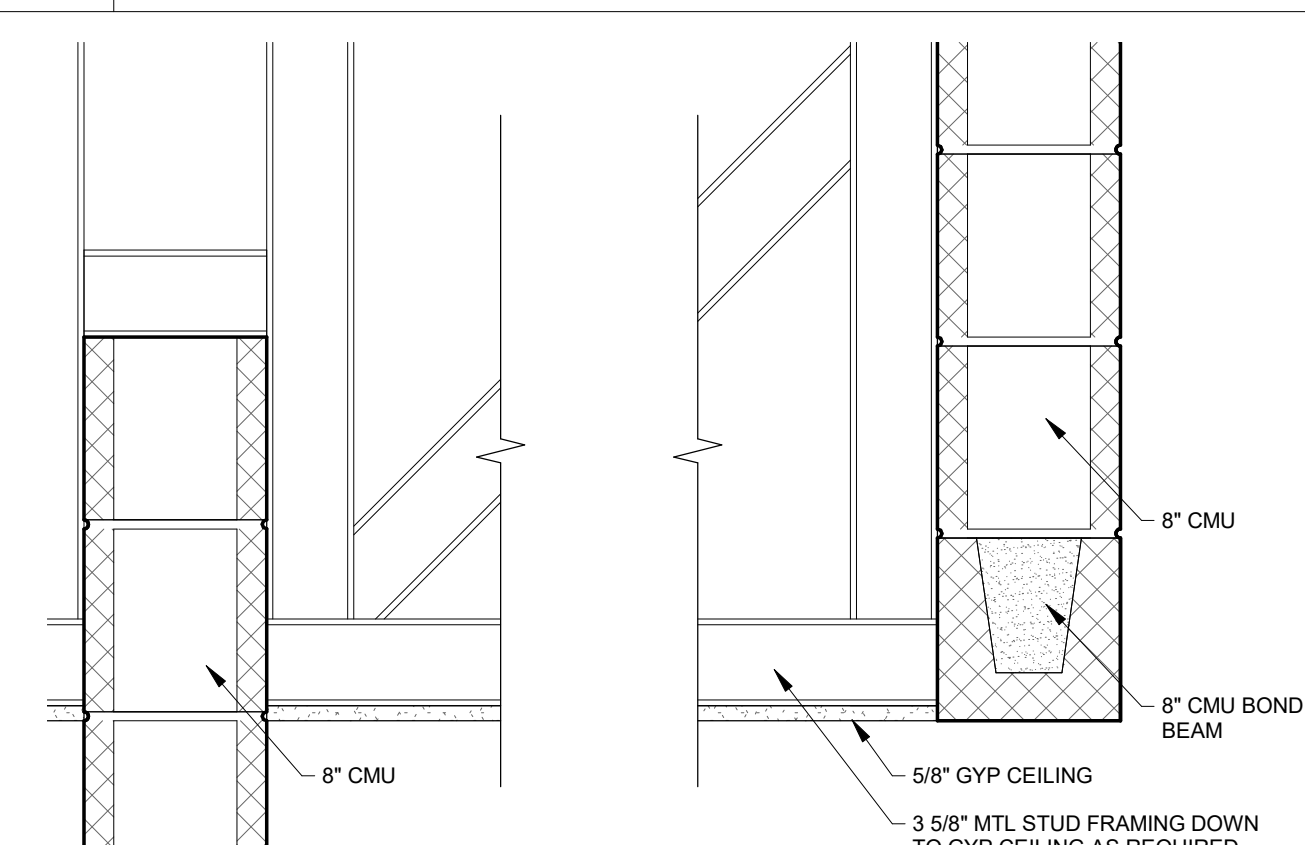
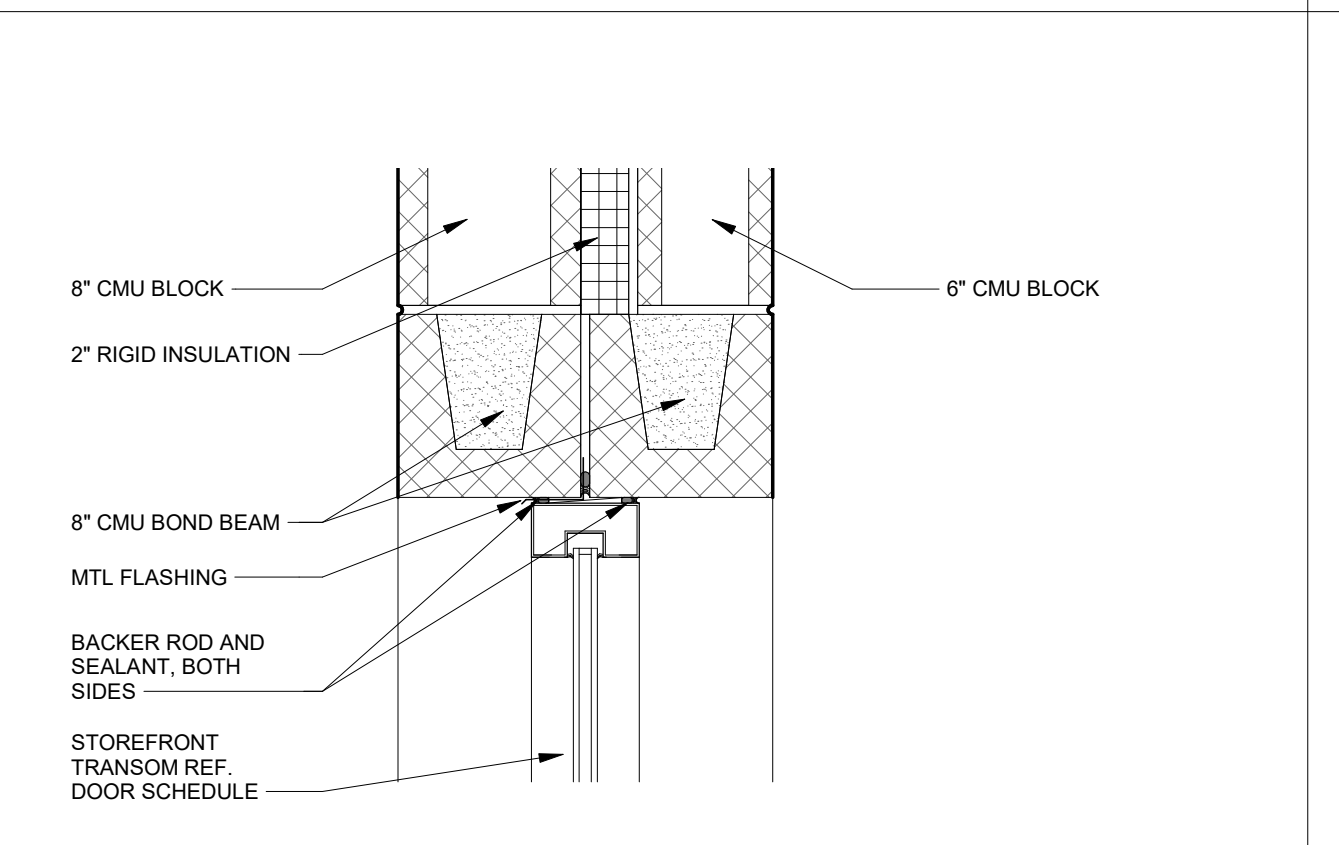
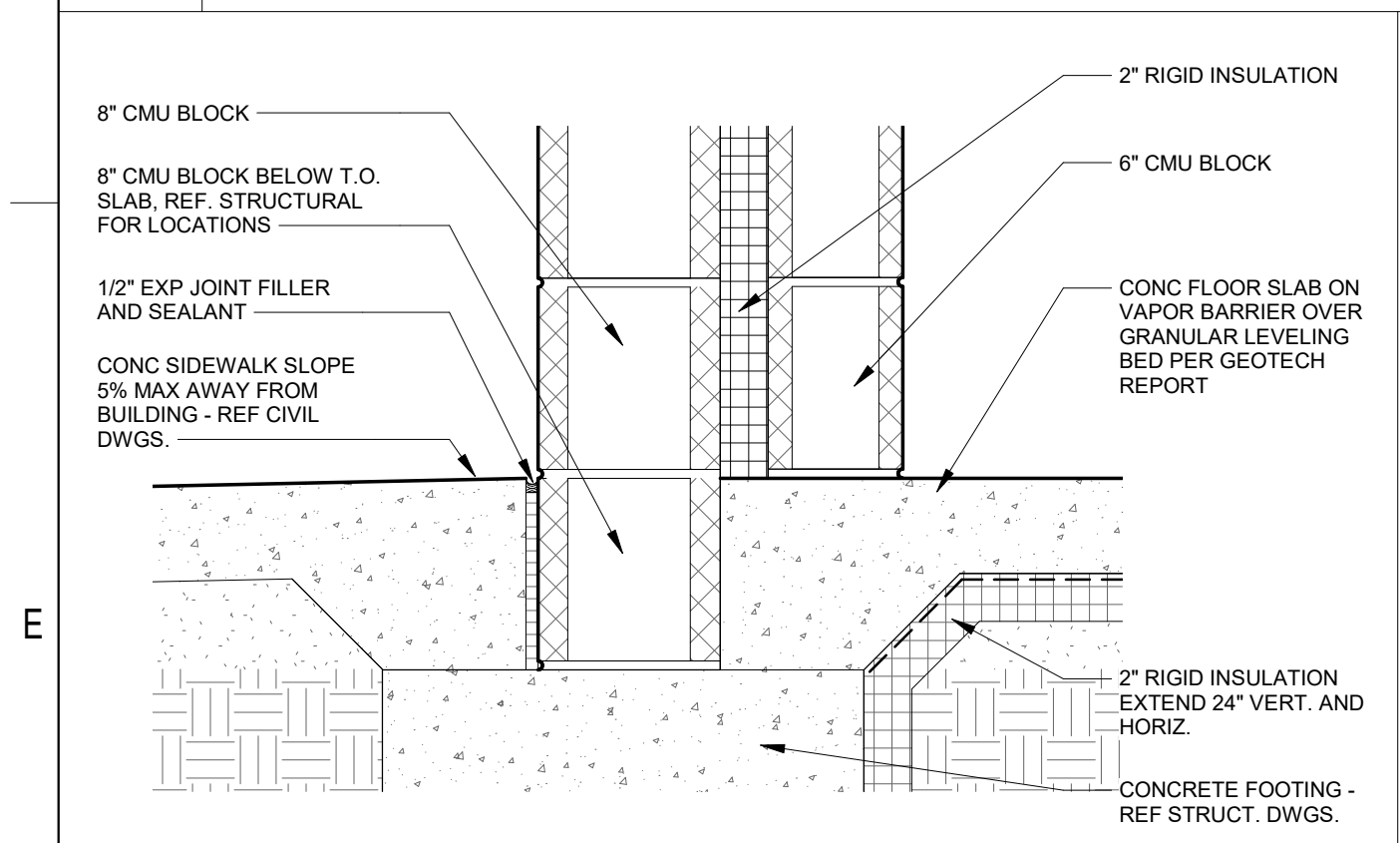
6 PARTIAL HEIGHT INTERIOR CMU DETAIL
1 1/2" = 1'-0"



7 AWNING 1 OVER DOOR DETAIL
1 1/2" = 1'-0"

8 AWNING 2 OVER WINDOW DETAIL
1 1/2" = 1'-0"

9 CMU SPAN OVER BATHROOM
1 1/2" = 1'-0"



10 STOREFRONT DOOR FOUNDATION
1 1/2" = 1'-0"

11 STOREFRONT ENTRY HEAD
1 1/2" = 1'-0"

12 CMU AND GYP BD CEILING DETAIL
1 1/2" = 1'-0"



SOUTH LAKES SPORTS PARK
WICHITA, KS

Issue:		
100% PLANS		10/16/23
JOB NO.	220008-003	
DATE	16 OCTOBER 2023	
PM	NLS	
DESIGNED BY	BRM	
DRAWN BY	BRM	
CHECKED BY	DBB	
EXTERIOR DETAILS		
A4.2		



SHELDENARCH.COM
800 E. First Suite 140 Wichita, KS 67202 316.263.4300

10/10/2023 2:54:15 PM C:\Local Revit Projects\South Lakes Pickleball Complex_bmitcheil_sa.rvt