

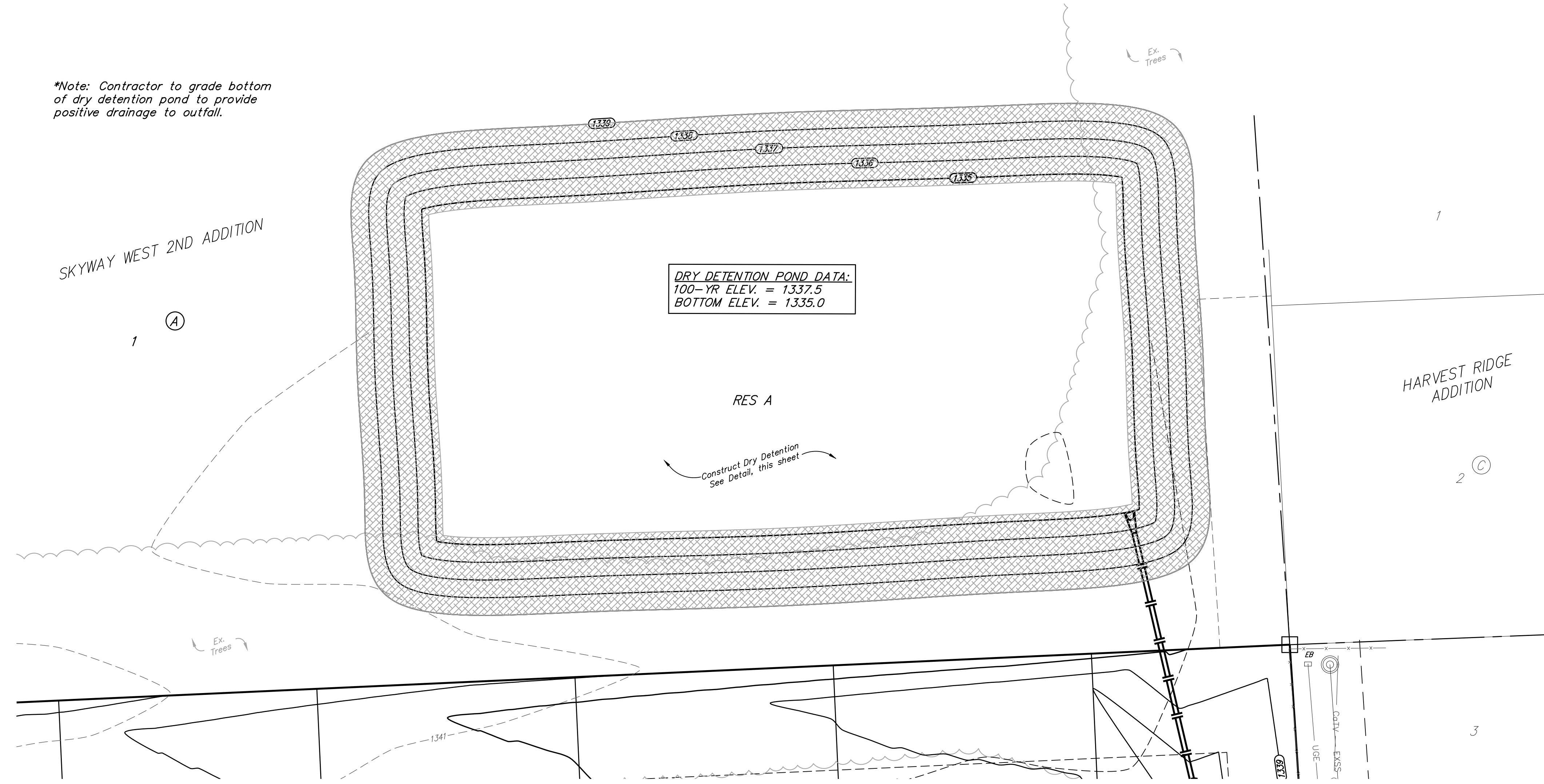
BENCHMARKS:

BENCHMARK #1:
CROSS CUT IN SQUARE CUT, TOP OF CURB AT WEST END OF CURB RETURN, NORTHWEST CORNER OF SHEFFORD AND W 35TH ST S, 14.5' SOUTH & 5.0' WEST OF THE SOUTHEAST CORNER OF LOT 1, BLOCK D, HARVEST RIDGE ADDITION. ELEV. = 1336.39 (NAVD88)

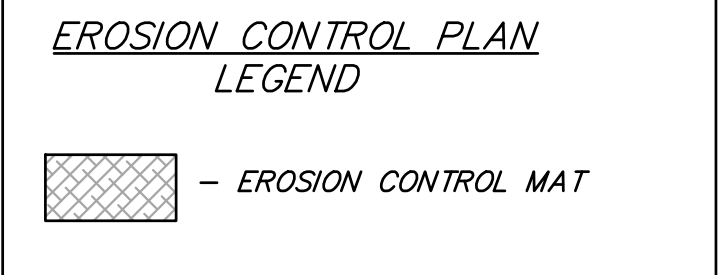
BENCHMARK #2:
CROSS CUT IN SQUARE CUT ON TOP FRONT CENTER OF CATCH BASIN, WEST SIDE OF HOLLYWOOD, 4.6' NORTH & 12.8' EAST OF SOUTHEAST CORNER OF LOT 2, BLOCK C, HARVEST RIDGE ADDITION. ELEVATION = 1335.39 (NAVD88)

**Note: Contractor to grade bottom of dry detention pond to provide positive drainage to outfall.*

SKYWAY WEST 2ND ADDITION

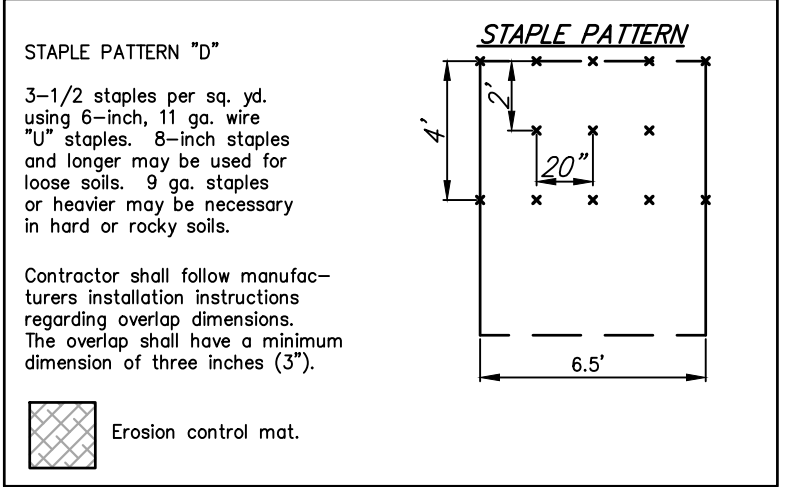
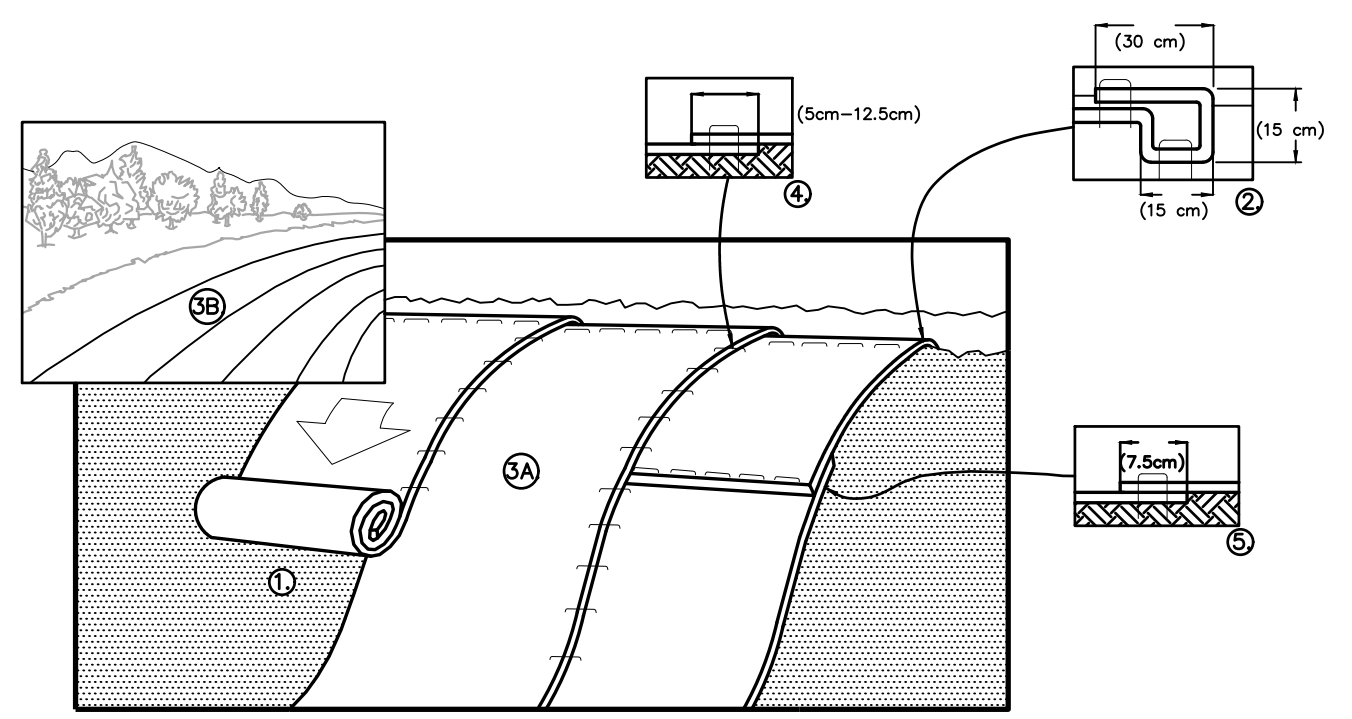


DRY DETENTION POND DATA:
100-YR ELEV. = 1337.5
BOTTOM ELEV. = 1335.0



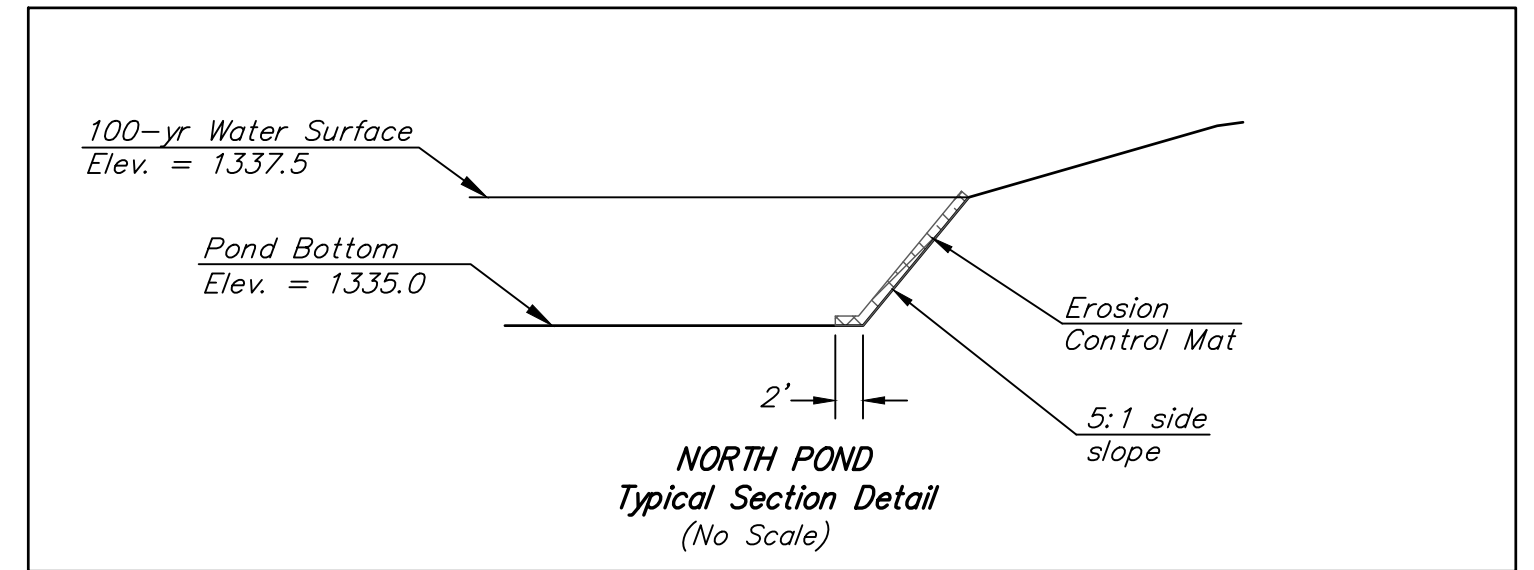
Install 1,612 S.Y. North American Green Bionet S150BN Biodegradable Erosion Control Mat, or approved equal around pond as indicated (See Detail, This Sheet) Erosion control mat shall be installed and anchored per manufacturer's specifications. Note: This quantity is for information only and does not include excess material necessary for overlap and anchoring.

SLOPE INSTALLATION

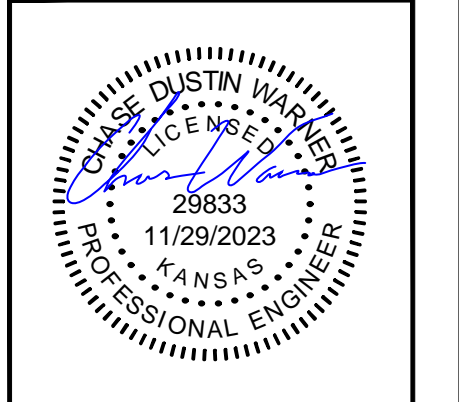


POND GENERAL NOTES:

1. Install Biodegradable Erosion Control Mat (North American Green Bionet S150BN or approved equal) around pond as indicated (cost to be including in "Erosion Control Mat")
2. Contractor to strip top 4-6" of soil within street R/W's, proposed pond areas, and on lots where fill or 6" of excavation is specified before mass grading and stockpile. Remaining topsoil may be spread outside of the 70' buildable pad depth on lots and in street rights-of-way outside of proposed pavement. Topsoil stripping and re-distribution shall be incidental to bid item, "Excavation".



1. PREPARE SOIL BEFORE INSTALLING BLANKETS, INCLUDING ANY NECESSARY APPLICATION OF LIME, FERTILIZER, AND SEED. NOTE: WHEN USING CELL-O-SEED DO NOT SEED PREPARED AREA. CELL-O-SEED MUST BE INSTALLED WITH PAPER SIDE DOWN.
 2. BEGIN AT THE TOP OF THE SLOPE BY ANCHORING THE BLANKET IN A 6" (15cm) DEEP X 6" (15cm) WIDE TRENCH. WITH APPROXIMATELY 12" (30cm) OF BLANKET EXTENDED BEYOND THE UP-SLOPE PORTION OF THE TRENCH. ANCHOR THE BLANKET WITH A ROW OF STAPLES/STAKES APPROXIMATELY 12" (30cm) APART IN THE BOTTOM OF THE TRENCH. BACKFILL AND COMPACT THE TRENCH AFTER STAPLING. APPLY SEED TO COMPACTED SOIL AND FOLD REMAINING 12" (30cm) PORTION OF BLANKET BACK OVER SEED AND COMPACTED SOIL. SECURE BLANKET OVER COMPACTED SOIL WITH A ROW OF STAPLES/STAKES SPACED APPROXIMATELY 12" (30cm) APART ACROSS THE WIDTH OF THE BLANKET.
 3. ROLL THE BLANKETS (A) DOWN OR (B) HORIZONTALLY ACROSS THE SLOPE. BLANKETS WILL UNROLL WITH APPROPRIATE SIDE AGAINST THE SOIL SURFACE. ALL BLANKETS MUST BE SECURELY FASTENED TO SOIL SURFACE BY PLACING STAPLES/STAKES IN APPROPRIATE LOCATIONS AS SHOWN IN THE STAPLE PATTERN GUIDE. WHEN USING OPTIONAL DOT SYSTEM, STAPLES/STAKES SHOULD BE PLACED THROUGH EACH OF THE COLORED DOTS CORRESPONDING TO THE APPROPRIATE STAPLE PATTERN.
 4. THE EDGES OF PARALLEL BLANKETS MUST BE STAPLED WITH APPROXIMATELY 2"-5" (5cm-12.5cm) OVERLAP DEPENDING ON BLANKET TYPE. TO ENSURE PROPER SEAM ALIGNMENT, PLACE THE EDGE OF THE OVERLAPPING BLANKET (BLANKET BEING INSTALLED ON TOP) EVEN WITH THE COLORED SEAM STITCH ON THE PREVIOUSLY INSTALLED BLANKET.
 5. CONSECUTIVE BLANKETS SPICED DOWN THE SLOPE MUST BE PLACED END OVER END (SHINGLE STYLE) WITH AN APPROXIMATE 3" (7.5cm) OVERLAP. STAPLE THROUGH OVERLAPPED AREA, APPROXIMATELY 12" (30cm) APART ACROSS ENTIRE BLANKET WIDTH.
- NOTE:
*IN LOOSE SOIL CONDITIONS, THE USE OF STAPLE OR STAKE LENGTHS GREATER THAN 6" (15cm) MAY BE NECESSARY TO PROPERLY SECURE THE BLANKETS.
SEEDING DIRECTLY BENEATH THE EROSION CONTROL MAT SHALL BE INCLUDED IN THE COST OF THE EROSION CONTROL MAT.



BAUGHMAN COMPANY

315 Ellis St.
Wichita, KS 67211
316-262-7271
BaughmanCo.com

SKYWAY WEST 6TH ADDITION

NORTH POND PLAN

STORMWATER DRAIN IMPROVEMENTS

PROJECT NUMBER: 458-2023-085537

DESIGN: CDW DRAWN: CDW

DATE: August 14, 2023

SHEET OF 13 27

File: E:\Projects\Skyway West 6th_22-05-P786\Engineering\Phase 1\SWD-SWS\SWD-SWS.dwg