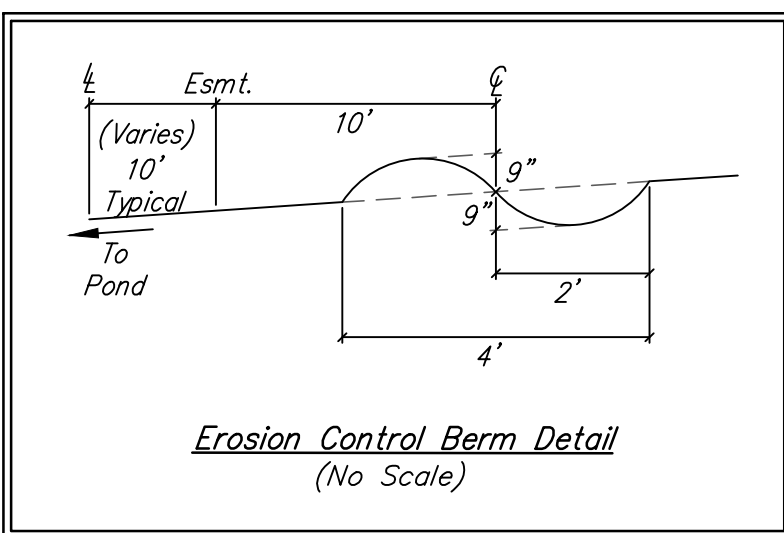
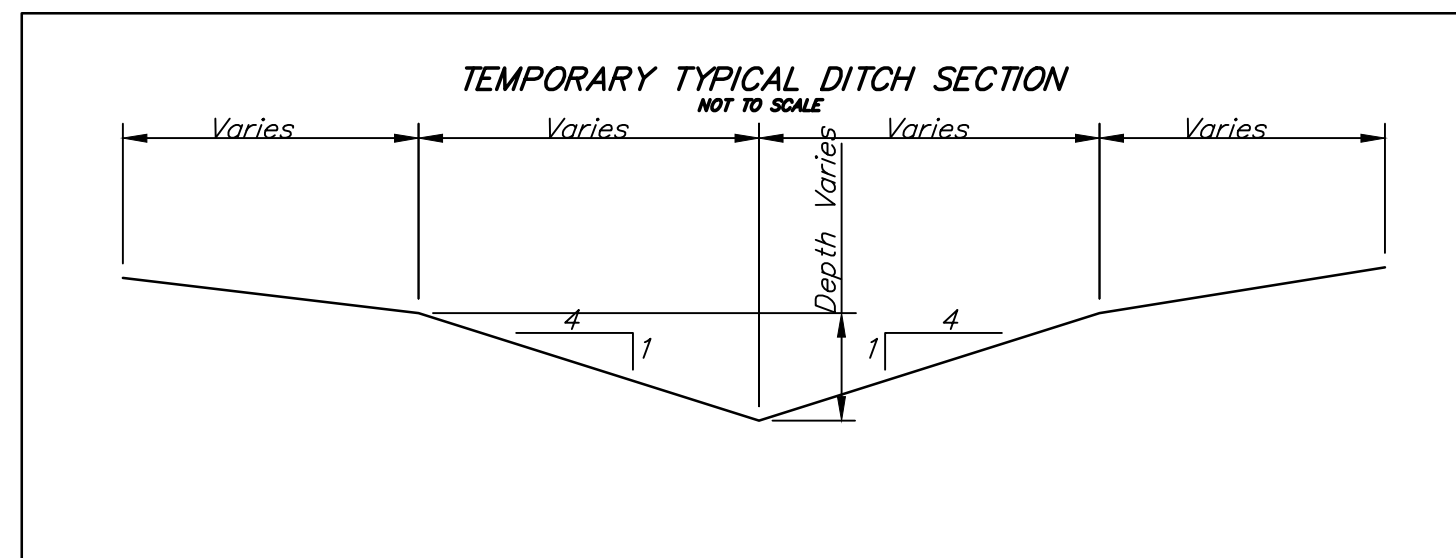


EROSION CONTROL MEASURE	INSTALL	MAINTAIN	REMOVE
BACK OF CURB PROTECTION (LF)	7,485	0	0
CONSTRUCTION ENTRANCE (EA)	1	0	0
CURB INLET BARRIER (EA)	16	2	0
DITCH CHECK (EA)	1	20	0
DROP INLET PROTECTION (EA)	0	13	0
EROSION CONTROL (LS)	0	0	0
EROSION CONTROL BERM (LF)	0	950	0
SILT FENCE (LF)	0	280	0
EROSION CONTROL MAT (SY)	287	6,272	0

QUANTITIES ARE FOR INFORMATION ONLY! CONTRACTOR SHALL VERIFY QUANTITIES PER FINAL BID QUANTITY SHEET.

* ALL EXISTING BMPs INCLUDING CONSTRUCTION ENTRANCE, SEDIMENT BARRIERS, SILT FENCE, EROSION CONTROL BERM, AND EROSION CONTROL MAT SHALL BE MAINTAINED AND REPAIRED IF NECESSARY. REPLACEMENT OR REMOVAL OF EROSION CONTROL MEASURES TO BE PAID FOR BY L.S. BID ITEM "MAINTAIN EXISTING BMPs"

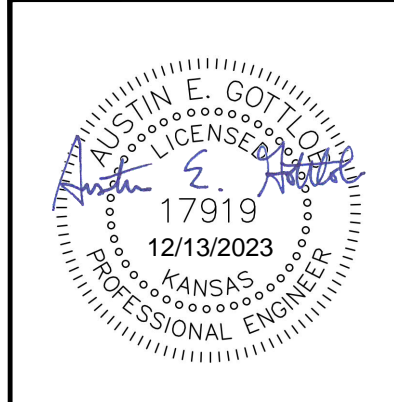
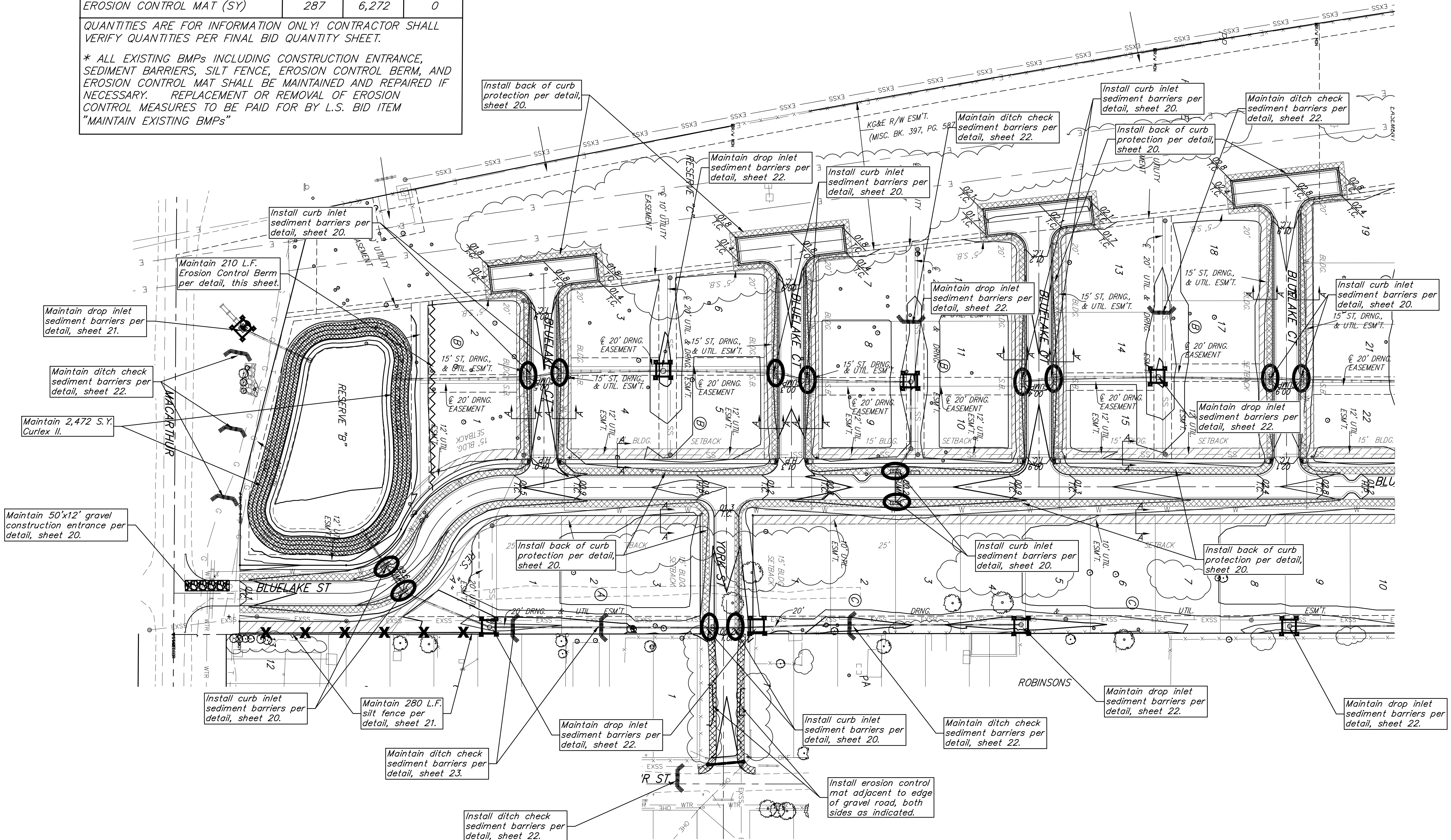


All easements have been graded prior to construction with the mass grading plan, however, hatched easements shall be fine graded with this project after street construction has been completed. All cost associated with the fine grading shall be included in the lump sum bid item "Grading, Easement".



EROSION CONTROL PLAN LEGEND

- DROP INLET PROTECTION
- CURB INLET PROTECTION
- DITCH CHECKS
- SILT FENCING
- STRAW WATTLE DITCH CHECKS
- EROSION CONTROL BERM
- BACK OF CURB PROTECTION
- EROSION CONTROL MAT
- TEMPORARY DITCH



BAUGHMAN COMPANY

315 Ellis St.
Wichita, KS 67211
316-262-7271
BaughmanCo.com

BLUE LAKE 3RD ADD.
Phase 1

EROSION CONTROL & ESMT. GRADING PLAN

STREET IMPROVEMENTS

PROJECT NUMBER:
23-01-E416

DESIGN: DRAWN:

DATE: December 12, 2023

SHEET **12** OF **39**

File: E:\Projects\Blue Lake 3rd Addition_22-02-P755\Engineering\Phase 1\STR 23-01-E416\Street.dwg