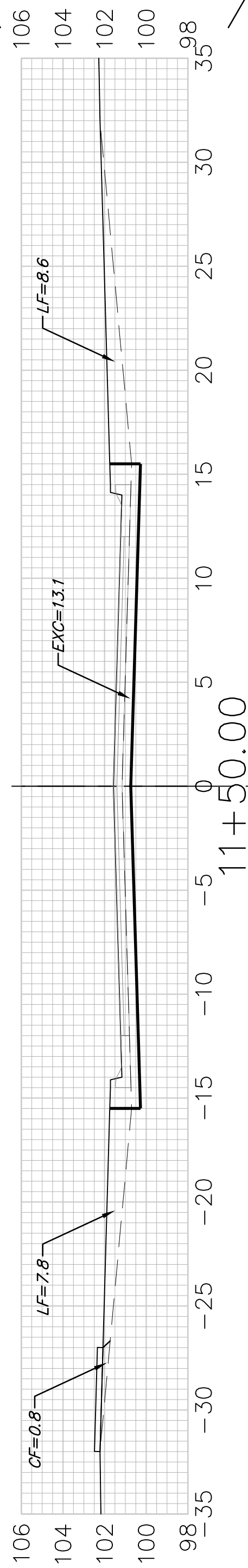
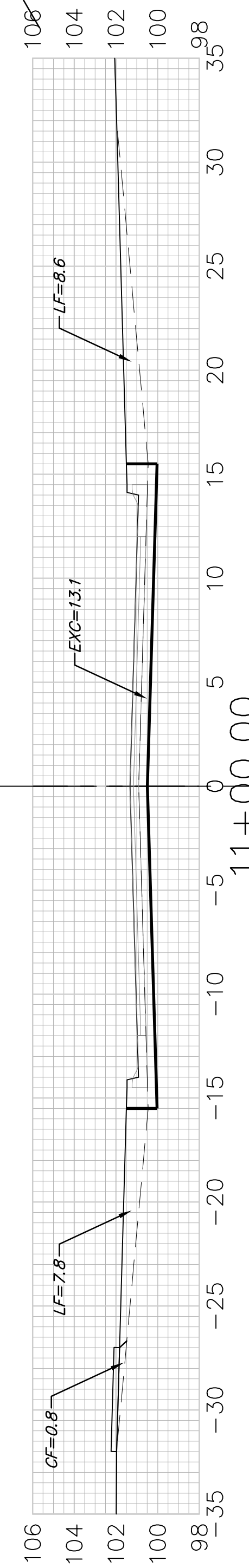


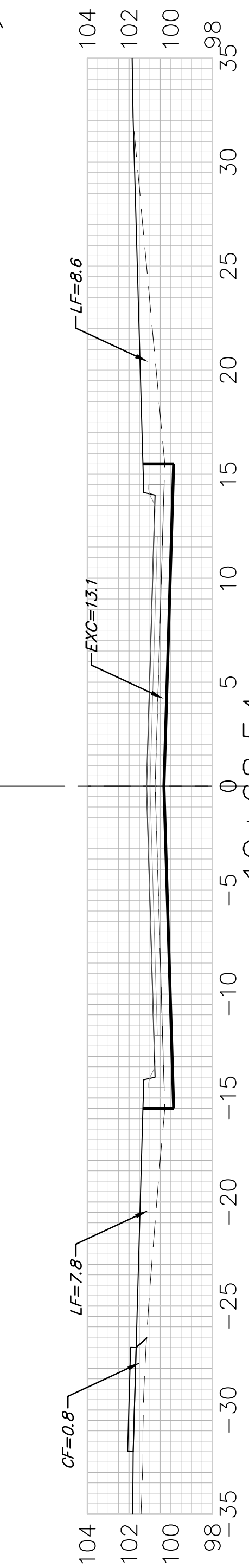
EXC = 24.3
LF = 30.4
CF = 1.5



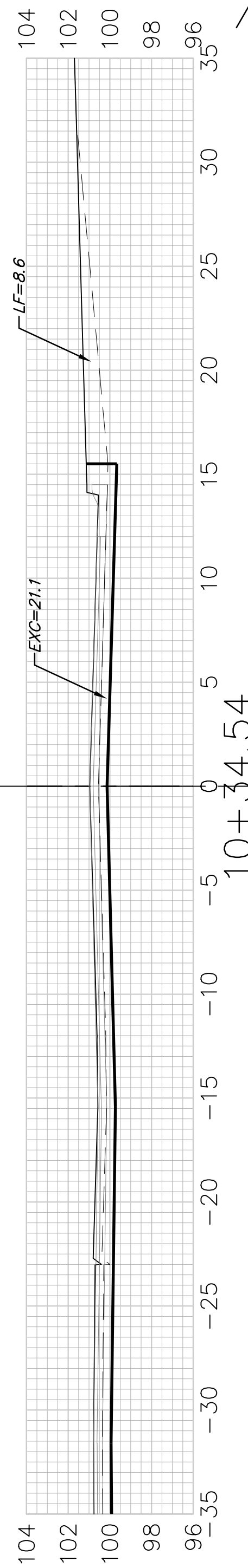
EXC = 24.3
LF = 30.4
CF = 1.5



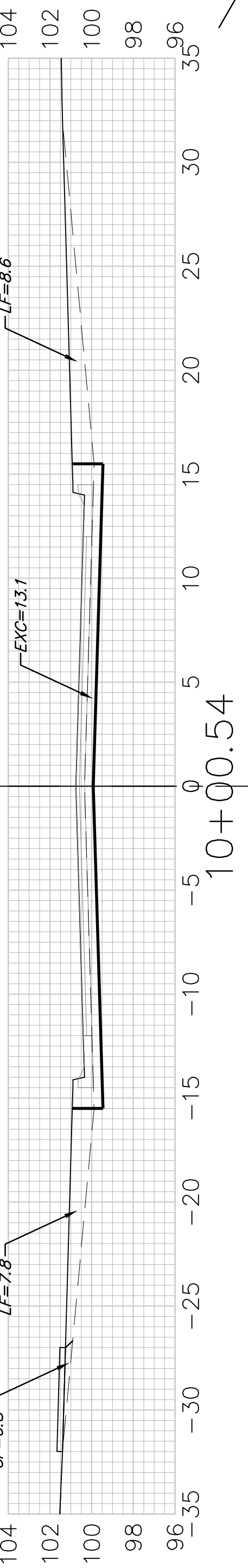
EXC = 15.3
LF = 19.1
CF = 0.9



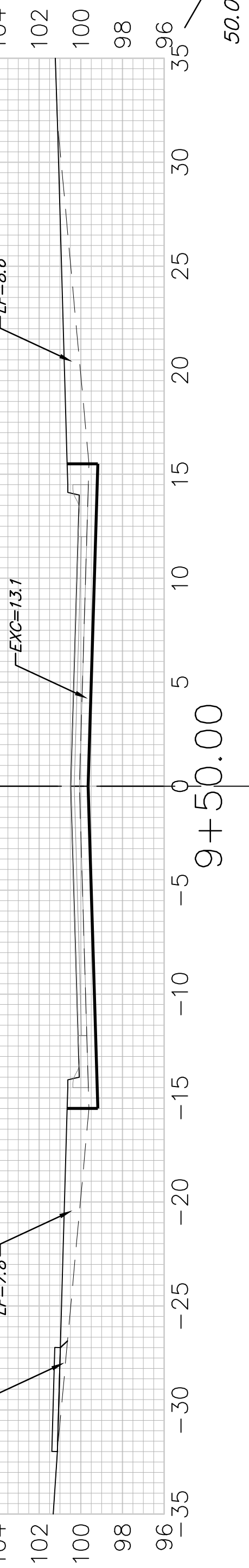
EXC = 21.5
LF = 15.7
CF = 0.5



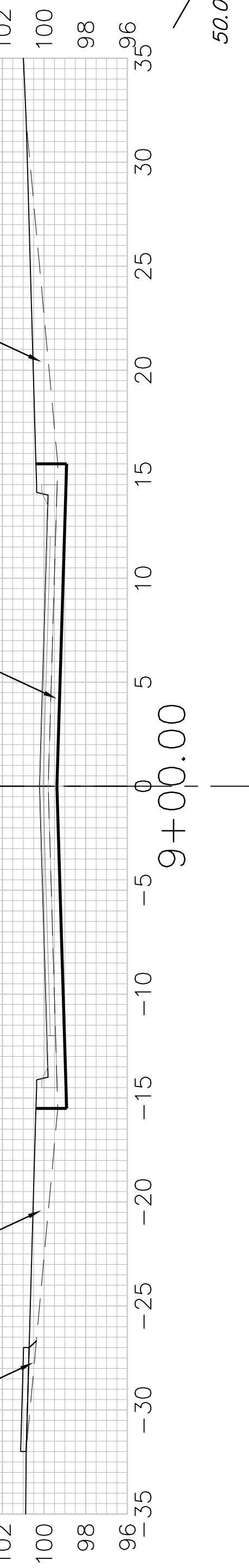
EXC = 21.5
LF = 15.7
CF = 0.5



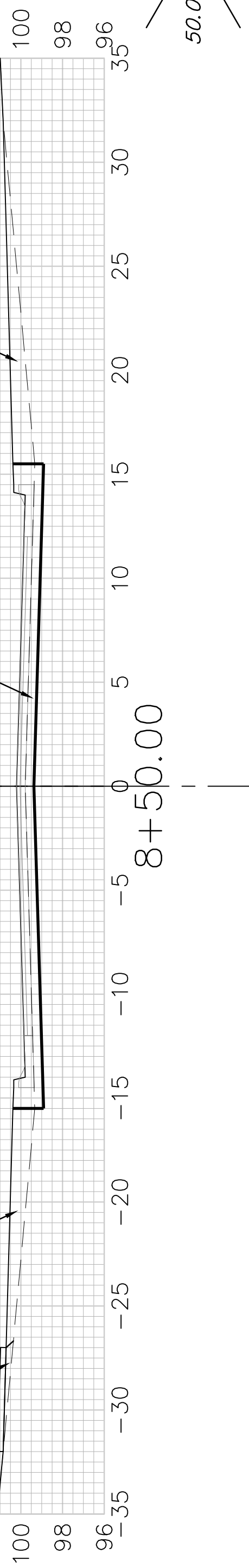
EXC = 24.3
LF = 30.4
CF = 1.5



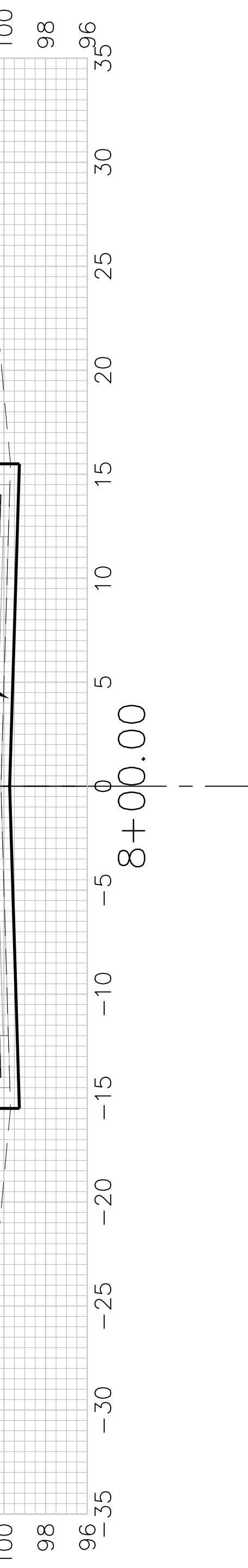
EXC = 24.3
LF = 30.4
CF = 1.5



EXC = 24.3
LF = 30.4
CF = 1.5



EXC = 24.3
LF = 30.4
CF = 1.5





BAUGHMAN COMPANY

315 Ellis St.
Wichita, KS 67211
316-262-7271
BaughmanCo.com

BLUE LAKE 3RD ADD.
Phase 1

CROSS SECTIONS

STREET IMPROVEMENTS
PROJECT NUMBER: 23-01-E416
DESIGN: AEG DRAWN: TMS
DATE: October 9, 2023

SHEET 27 OF 39

Sheet Totals
Excavation = 204.1 C. Y.
Loose Fill = 232.9 C. Y.
Compacted Fill = 10.9 C. Y.

BLUE LAKE ST.