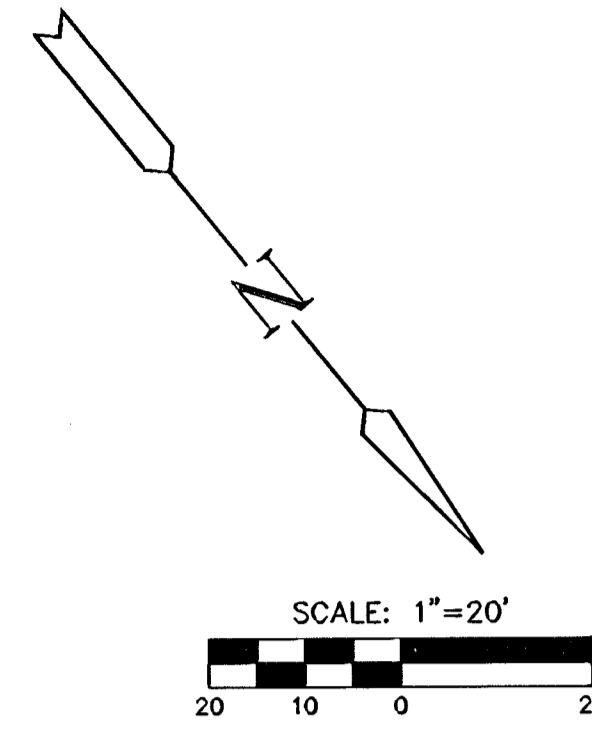


NOTE:
 CONTRACTOR TO COORDINATE TREE REMOVAL /TRIMMING WITH ENGINEER/OWNER. NO TREES SHALL BE REMOVED WITHOUT PRIOR APPROVAL BY ENGINEER AND/OR OWNER.

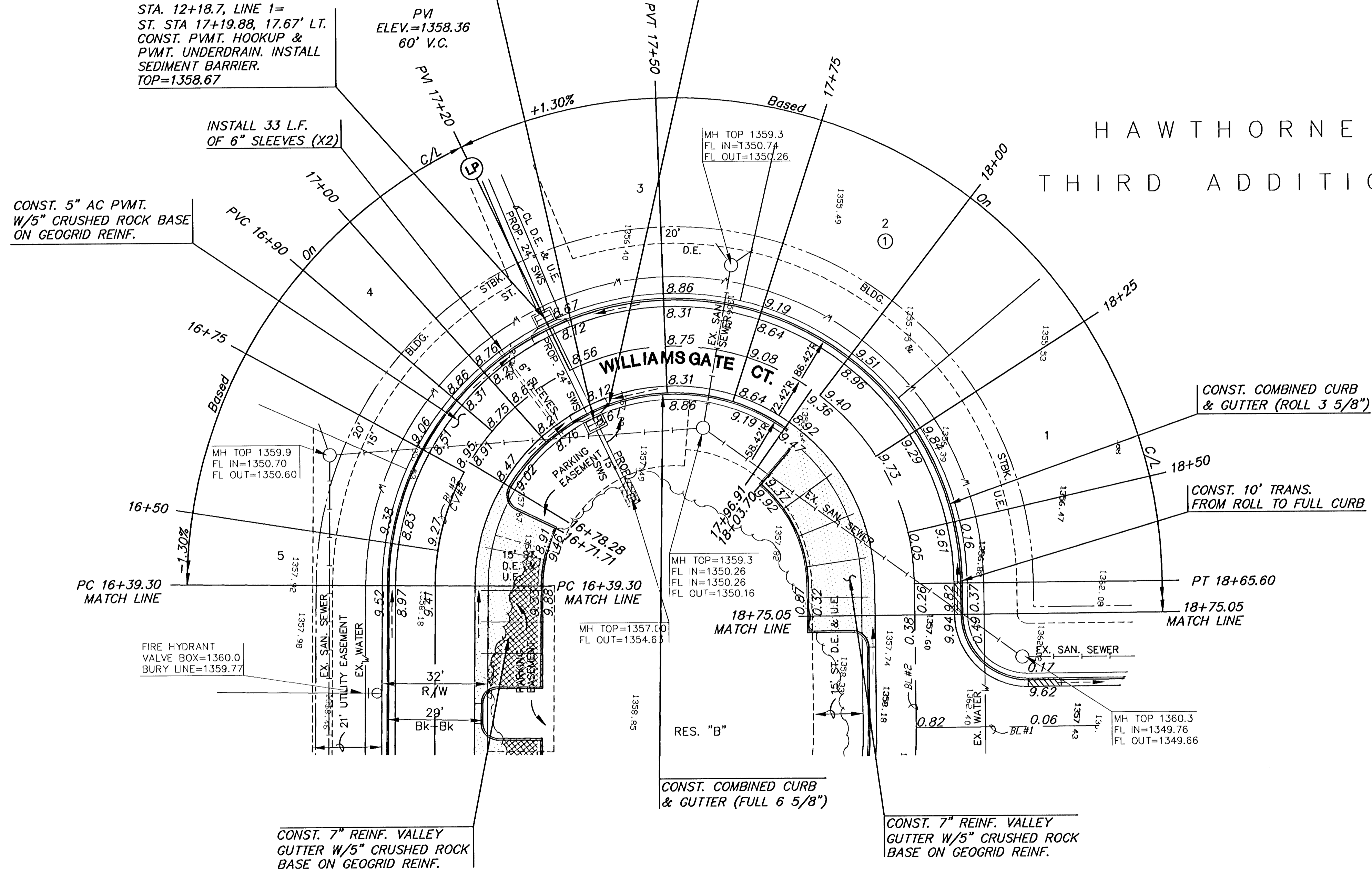
STA. 17+20, WILLIAMSGATE CT.
 INSTALL SUBDIVISION BENCHMARK
 (NO. 8134-08 KANSAS BLUE PRINT)

STA. 12+54.0, LINE 1=
 ST. STA 17+19.88, 17.67' RT.
 CONST. PVMT. HOOKUP &
 PVMT. UNDERDRAIN. INSTALL
 SEDIMENT BARRIER.
 TOP=1358.67

STA. 12+18.7, LINE 1=
 ST. STA 17+19.88, 17.67' LT.
 CONST. PVMT. HOOKUP &
 PVMT. UNDERDRAIN. INSTALL
 SEDIMENT BARRIER.
 TOP=1358.67



HAWTHORNE
 THIRD ADDITION



CURVE TABLE -- BL#2 (CURVE 2)

$\Delta = 179^{\circ}01'56''$ R = 72.42' T = 8575.12' L = 226.30' LC = 144.84'

CURVE DATA BASED ON CENTERLINE $\Delta / 2 = 89^{\circ}30'58''$

STATION	ARC	CHORD LENGTH		DEFLECTION	TOTAL DEFLECTION
		8'off LICb	8'off RICb		
16+39.30	-	-	-	00'00'00"	00'00'00"
16+50.00	10.70'	13.94'	7.44'	04'13'57"	04'13'57"
16+75.00	25.00'	32.43'	17.32'	09'53'21"	14'07'18"
17+00.00	25.00'	32.43'	17.32'	09'53'21"	24'00'39"
17+25.00	25.00'	32.43'	17.32'	09'53'21"	33'54'00"
17+50.00	25.00'	32.43'	17.32'	09'53'21"	43'47'21"
17+75.00	25.00'	32.43'	17.32'	09'53'21"	53'40'42"
18+00.00	25.00'	32.43'	17.32'	09'53'21"	63'34'03"
18+25.00	25.00'	32.43'	17.32'	09'53'21"	73'27'24"
18+50.00	25.00'	32.43'	17.32'	09'53'21"	83'20'45"
18+65.60	15.60'	20.30'	10.84'	06'10'13"	89'30'58"

Def/Ft = 23.73397 Min.



CONTRACTOR SHALL VERIFY LOCATION AND DEPTH OF EXISTING UTILITIES PRIOR TO CONSTRUCTION.

NOTE:
 TOP OF CURB ELEVATIONS SHOWN ARE FOR FULL CURB. CONSTRUCT CURB AND GUTTER AS NOTED.

MKEC ENGINEERING CONSULTANTS
 411 N. WEBB ROAD
 WICHITA, KS. 67204
 314 - 684 - 9400

**HAWTHORNE THIRD ADDITION
 WILLIAMSGATE CT. - PHASE 3**
 PROJECT NAME

PAVING PLANS
 SHEET TITLE

DESIGN BY: MKEC DRAWN BY: MKEC CHECKED BY: DFL
 DATE: AUGUST 2005 JOB NO.: 02167 SHEET/OF: 9 / 36

P:\CIVIL\02167\DWG\PAV\WILLIAMSGATE-CT\02167-ES.DWG