

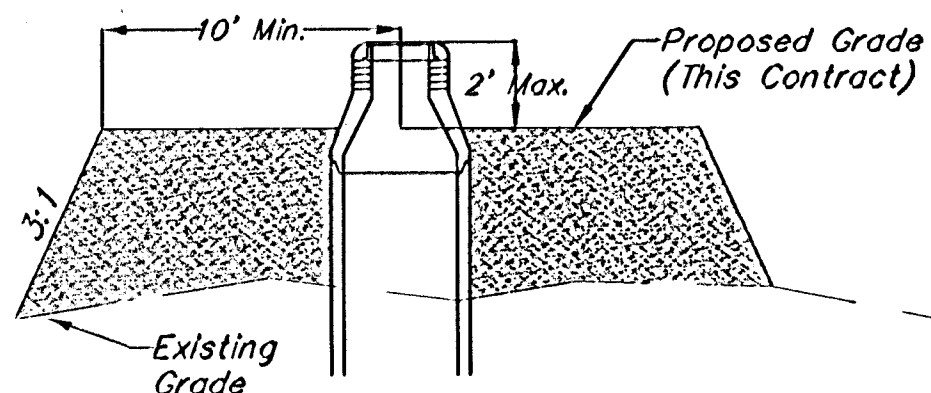
**BENCHMARKS**

BM #1: Brass Plate on North Hub Guard of R.C.B.C. 50' East of NW Corner NE 1/4, Sec. 22, Twp. 26-S, R-1-E.  
Elev. = 1371.83 (NGVD29)

BM #2: "X" cut on East Hub Guard of R.C.B.C., 110' S. of the SE Cor., SE 1/4, Sec. 22, Twp. 26-S, R-1-E.  
Elev. = 1359.54 (NGVD29)

Sta 0+00, Begin Line 1  
Core into existing manhole and extend 10" pipe north west. Seal & grout around pipe and reshape invert. Cost to be incidental to "Site Clearing & Restoration" bid item.

Contractor to fill within 2' of Manhole Top and for 10' around Manhole and sewer line, grading back to existing ground at a 3:1 slope. Cost to be included in "Site Clearing & Restoration" bid item.



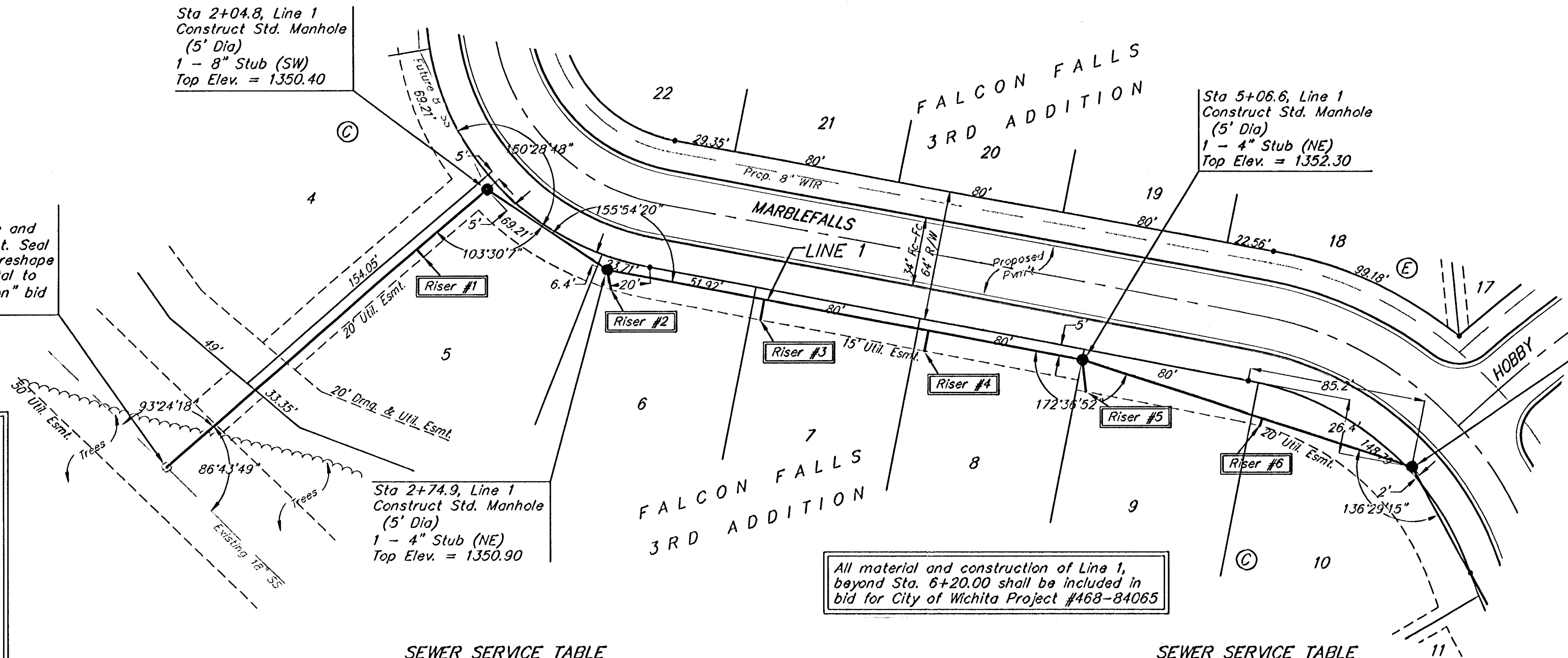
Fill Detail  
Not to Scale

Sta 2+04.8, Line 1  
Construct Std. Manhole (5" Dia)  
1 - 8" Stub (SW)  
Top Elev. = 1350.40

Sta 2+74.9, Line 1  
Construct Std. Manhole (5" Dia)  
1 - 4" Stub (NE)  
Top Elev. = 1350.90

Sta 5+06.6, Line 1  
Construct Std. Manhole (5" Dia)  
1 - 4" Stub (NE)  
Top Elev. = 1352.30

Sta 6+73.2, Line 1  
Construct Std. Manhole (5" Dia)  
Top Elev. = 1352.60  
Match Point



All material and construction of Line 1, beyond Sta. 6+20.00 shall be included in bid for City of Wichita Project #468-84065

Remove trees only as necessary for sanitary sewer construction and only with permission of Developer or Baughman Co. Cost of removal to be incidental to lump sum bid item "Site Clearing & Restoration".

SEWER SERVICE TABLE

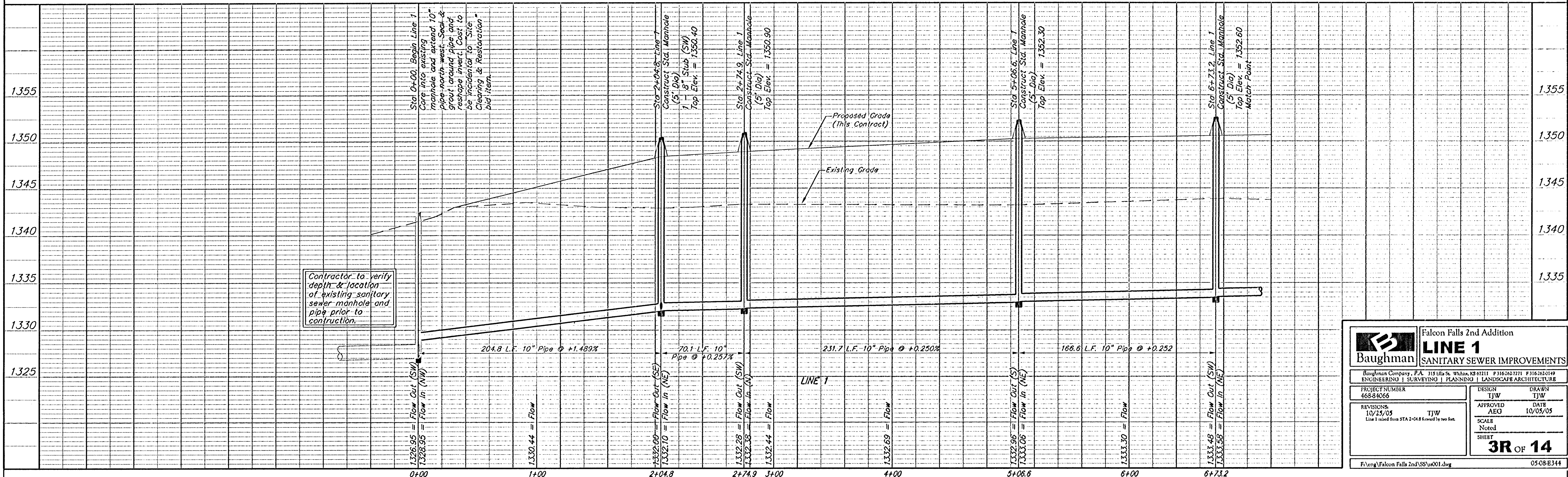
NUMBER	TYPE	LOCATION				FOR INFORMATION ONLY	
		LOT NO.	BLOCK NO.	LINE NO.	STATION\ DIRECTION	APPROXIMATE LENGTH 4" PIPE VERTICAL	HORIZONTAL
1	10" x 4" Tee Saddle	5	C	1	1+60/Rt.	14.5'	5'
2	4" x 4" Tee Saddle	6	C	1	2+75/Rt.	15.5'	10'
3	10" x 4" Tee Saddle	7	C	1	3+52/Rt.	18.0'	10'

NOTE: Vertical Riser Pipe shall be extended to 2' minimum above ground water elevation and 4' maximum below proposed ground elevation.

SEWER SERVICE TABLE

NUMBER	TYPE	LOCATION				FOR INFORMATION ONLY	
		LOT NO.	BLOCK NO.	LINE NO.	STATION\ DIRECTION	APPROXIMATE LENGTH 4" PIPE VERTICAL	HORIZONTAL
4	10" x 4" Tee Saddle	8	C	1	4+32/Rt.	16.0'	10'
5	4" x 4" Tee Saddle	9	C	1	5+07/Rt.	16.5'	15'
6	10" x 4" Tee Saddle	10	C	1	5+97/Rt.	16.0'	4'

NOTE: Vertical Riser Pipe shall be extended to 2' minimum above ground water elevation and 4' maximum below proposed ground elevation.



Contractor to verify depth & location of existing sanitary sewer manhole and pipe prior to construction.

**Baughman** Falcon Falls 2nd Addition  
**LINE 1**  
SANITARY SEWER IMPROVEMENTS

Baughman Company, P.A. 315 Lila St. Wichita, KS 67211 P 316-262-7771 F 316-262-0149  
ENGINEERING | SURVEYING | PLANNING | LANDSCAPE ARCHITECTURE

PROJECT NUMBER 468-84066	DESIGN TIJW	DRAWN TIJW
REVISIONS 10/25/05 Line 1 moved from STA 1+04.8 to match to two feet.	APPROVED ASO	DATE 10/05/05
SCALE Noted		SHEET 3R OF 14

F:\eng\Falcon Falls 2nd\SS\ss01.dwg 0508E314