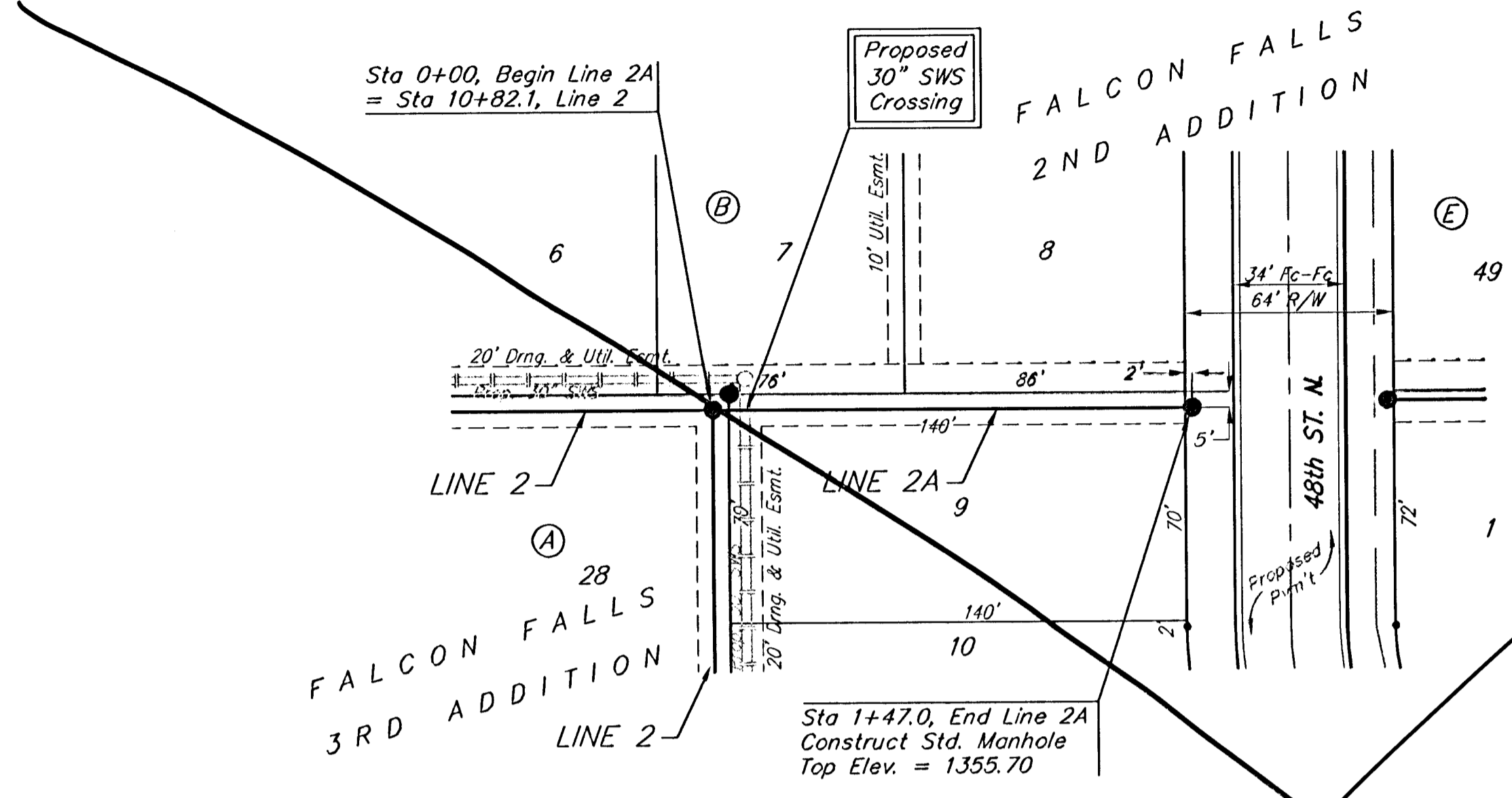
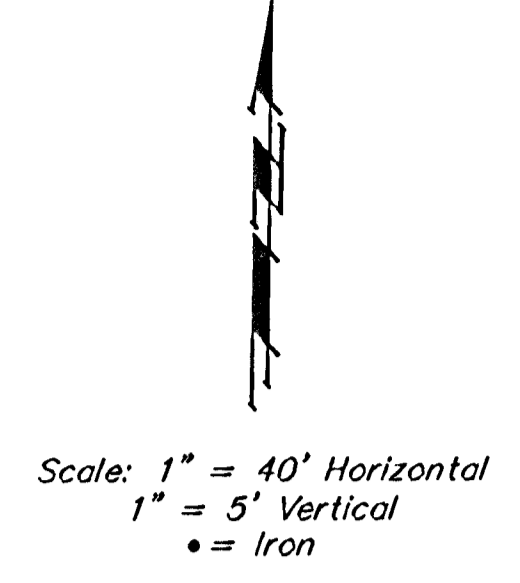


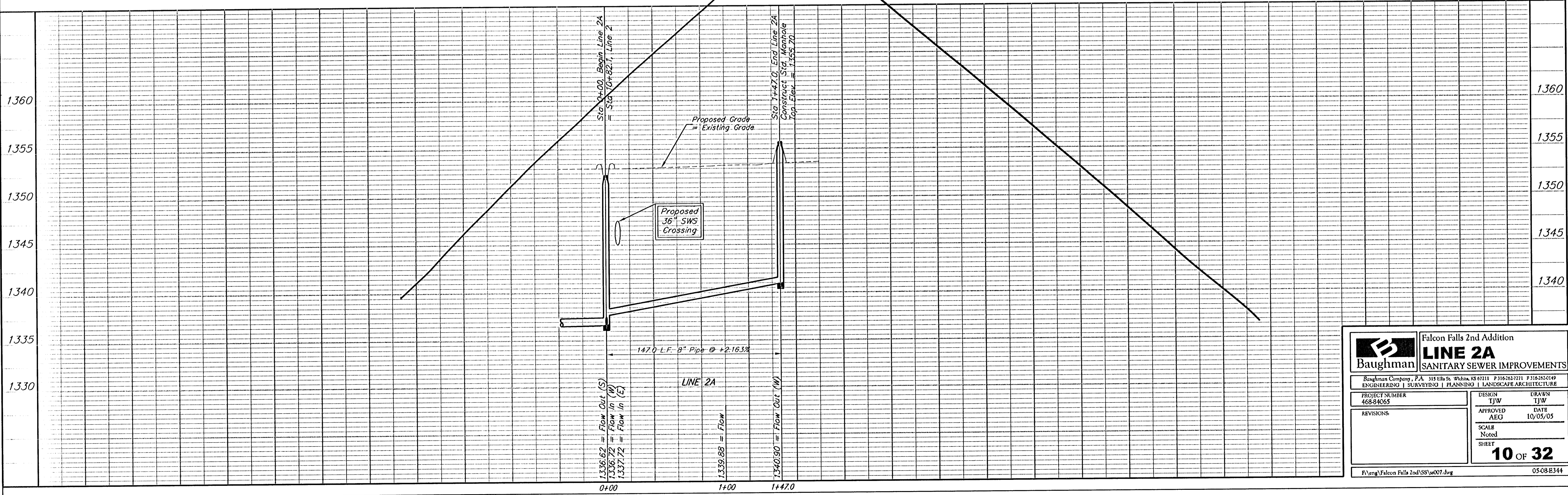
BENCHMARKS

BM #1: Brass Plate on North Hub Guard of R.C.B.C. 50' East of NW Corner NE 1/2, Sec. 22, Twp. 26-S, R-1-E.
Elev. = 1371.83 (NGVD29)

BM #2: "□" cut on East Hub Guard of R.C.B.C., 110' S. of the SE Cor., SE 1/4, Sec. 22, Twp. 26-S, R-1-E.
Elev. = 1359.54 (NGVD29)



See Revised Sheet



	Falcon Falls 2nd Addition	
	LINE 2A	
SANITARY SEWER IMPROVEMENTS		
<small>Baughman Company, P.A. 315 Ellis St., White, KS 67111 P 316-262-7771 F 316-752-0149 ENGINEERING SURVEYING PLANNING LANDSCAPE ARCHITECTURE</small>		
<small>PROJECT NUMBER 468-84065</small>	<small>DESIGN TJW</small>	<small>DRAWN TJW</small>
<small>REVISIONS:</small>	<small>APPROVED AEG</small>	<small>DATE 10/05/05</small>
<small>SCALE Noted</small>		<small>SHEET</small>
10 OF 32		
<small>F:\eng\Falcon Falls 2nd\SS\ss007.dwg</small>		<small>0508B344</small>