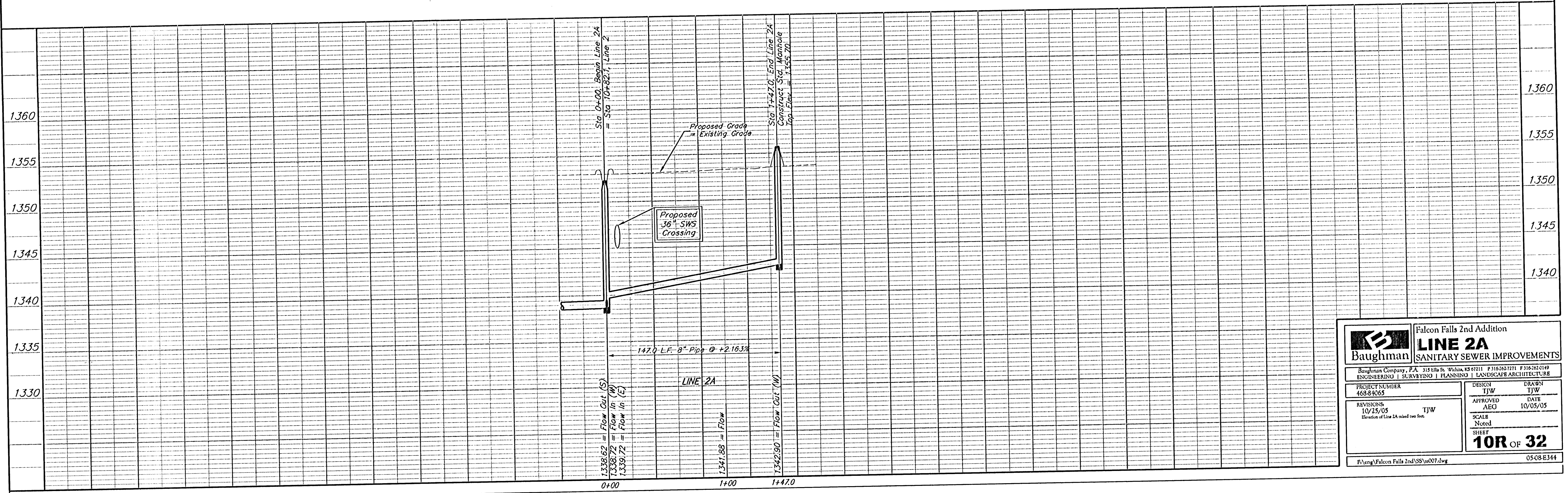
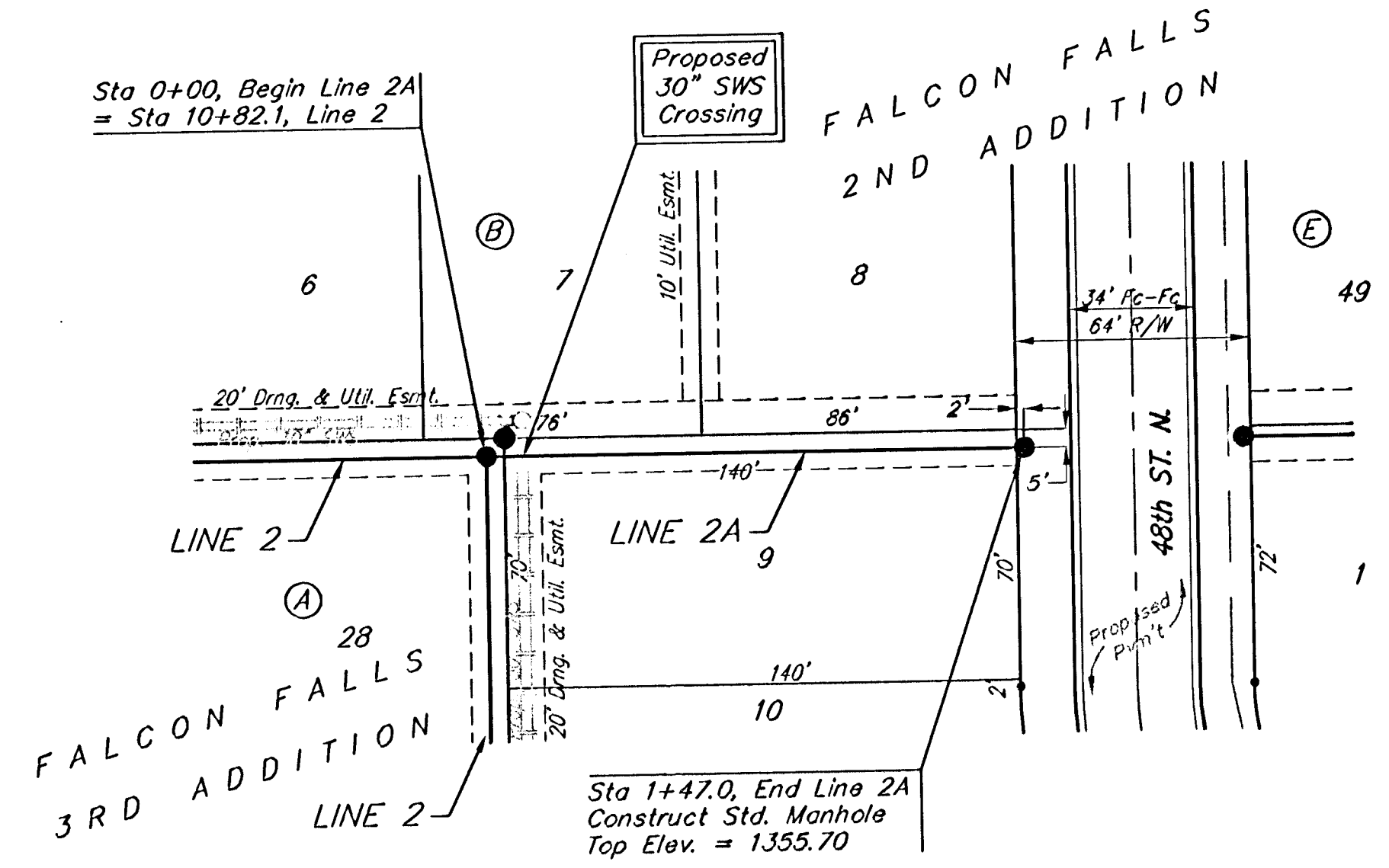
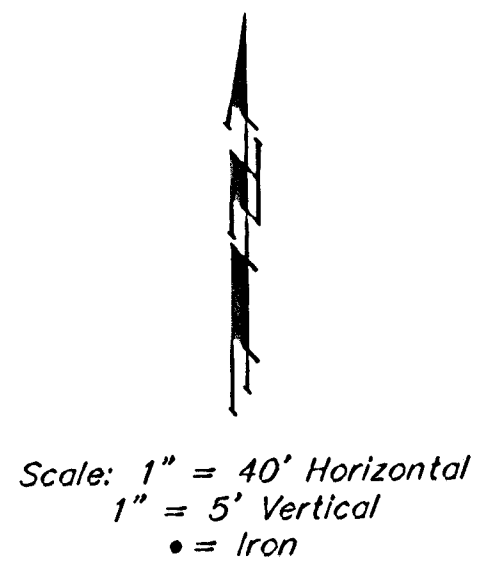


BENCHMARKS

BM #1: Brass Plate on North Hub Guard of R.C.B.C. 50' East of NW Corner NE 1/2, Sec. 22, Twp. 26-S, R-1-E.
Elev. = 1371.83 (NGVD29)

BM #2: " " cut on East Hub Guard of R.C.B.C. 110' S. of the SE Cor., SE 1/4, Sec. 22, Twp. 26-S, R-1-E.
Elev. = 1359.54 (NGVD29)



		Falcon Falls 2nd Addition LINE 2A SANITARY SEWER IMPROVEMENTS	
Baughman Company, P.A. 318 1/2 S. 19th St., #311111 F 31623111 F 31673119 ENGINEERING SURVEYING PLANNING LANDSCAPE ARCHITECTURE			
PROJECT NUMBER 468-84063	DESIGN TJW	DRAWN TJW	DATE 10/05/05
REVISIONS 10/25/05 Elevation of Line 2A noted two feet.	APPROVED AEO	SCALE Noted	SHEET 10R OF 32
F:\eng\Falcon Falls 2nd\SS\ss007.dwg			05-08-E344