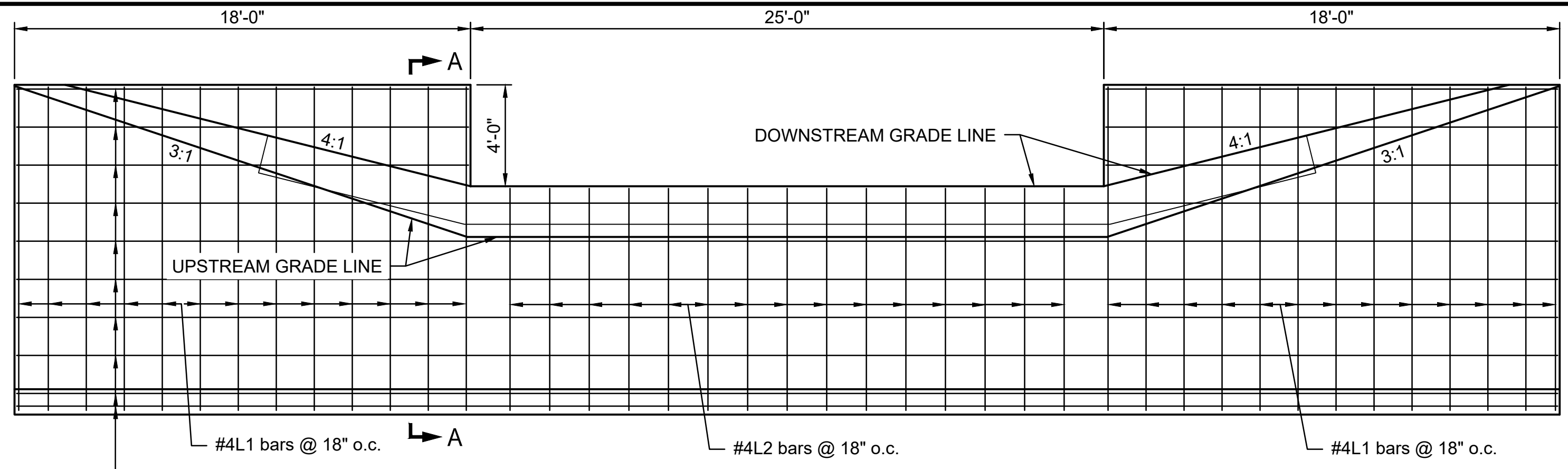




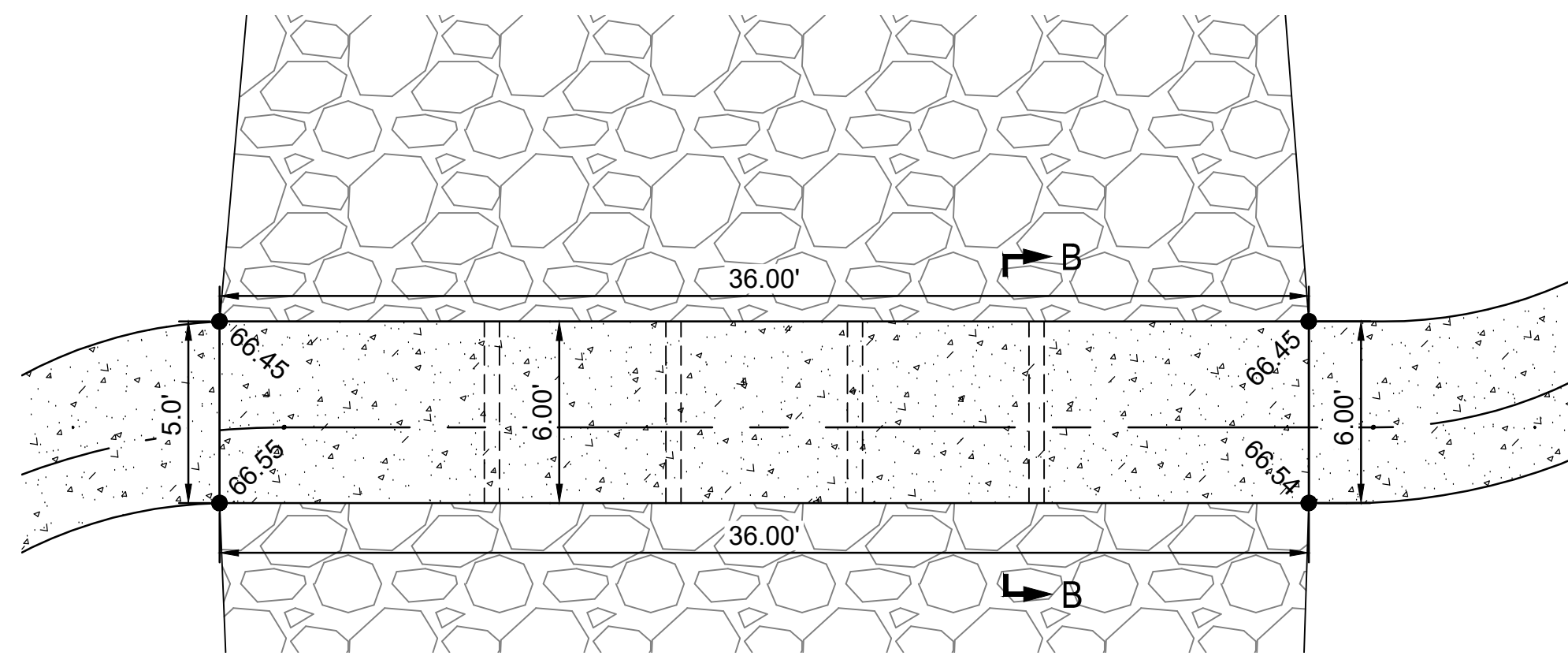
© 2023 GARVER, LLC
 THIS DOCUMENT, ALONG WITH THE IDEAS AND DESIGNS CONVEYED HEREIN, SHALL BE CONSIDERED INSTRUMENTS OF PROFESSIONAL SERVICE AND ARE PROPERTY OF GARVER, LLC. ANY USE, REPRODUCTION, OR DISTRIBUTION OF THIS DOCUMENT, ALONG WITH THE IDEAS AND DESIGN CONTAINED HEREIN, IS PROHIBITED UNLESS AUTHORIZED IN WRITING BY GARVER, LLC OR EXPLICITLY ALLOWED IN THE GOVERNING PROFESSIONAL SERVICES AGREEMENT FOR THIS WORK.

1995 Midfield Road
 Wichita, KS 67209
 (316) 264-8008

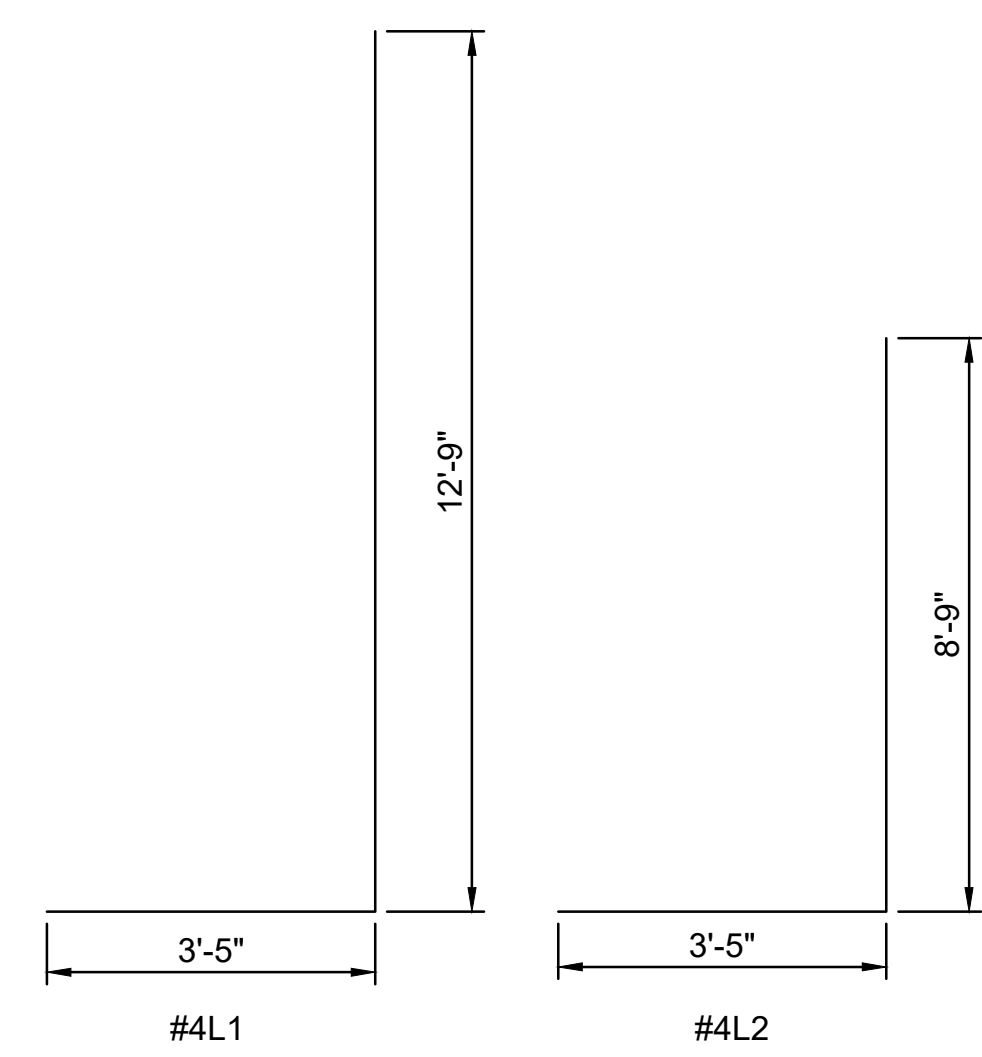


POND WEIR WALL DETAIL

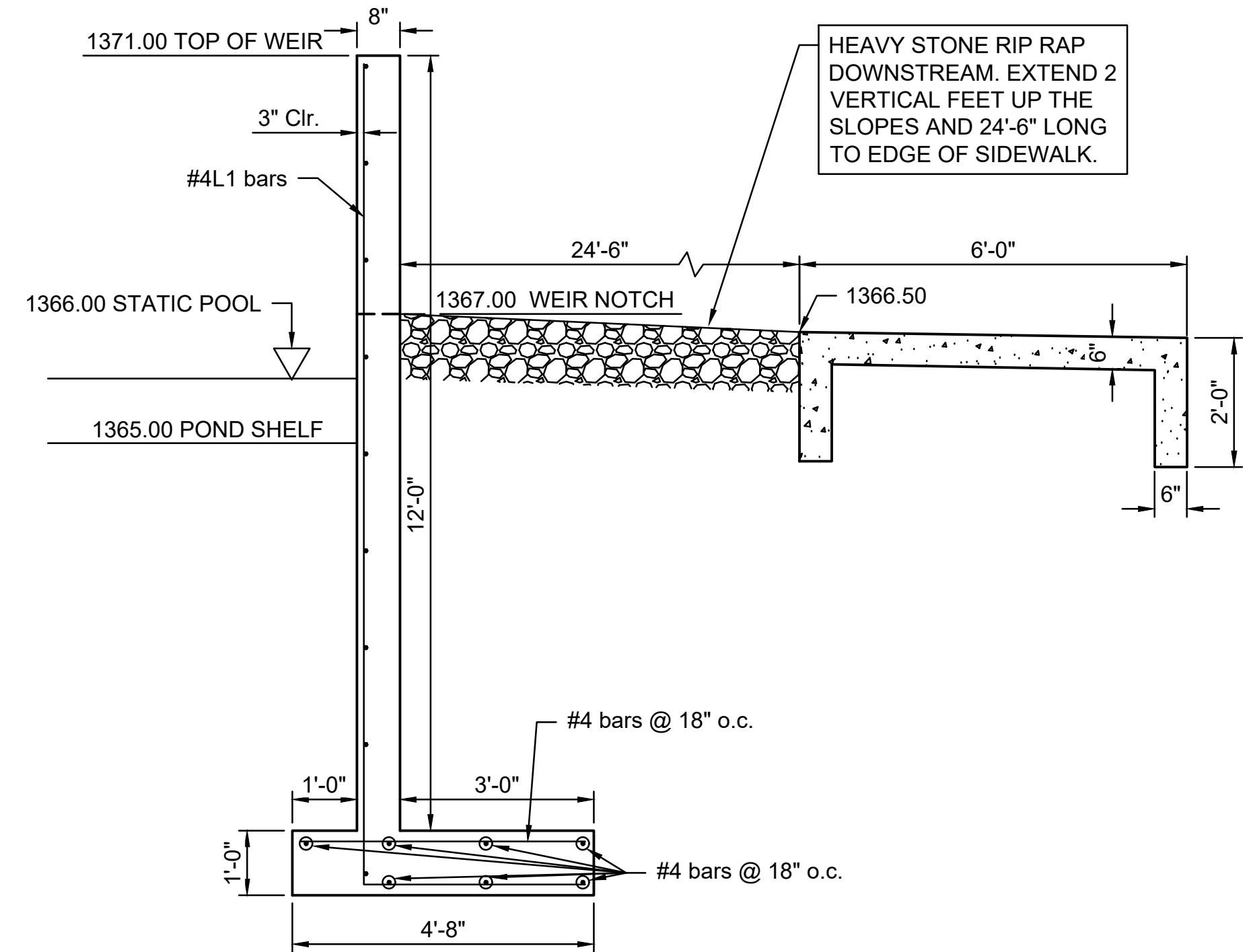
Air Entrained Concrete: F'c = 4,000 psi @ 28 days
 Reinforcing: Fy = 60,000 psi
 Cover over Reinforcing is 2" unless otherwise indicated.



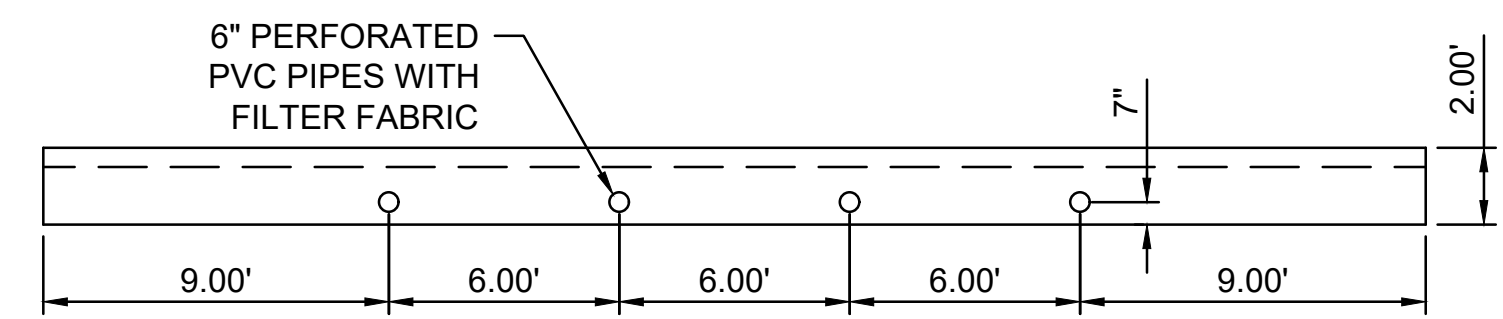
SPECIAL CONCRETE SIDEWALK



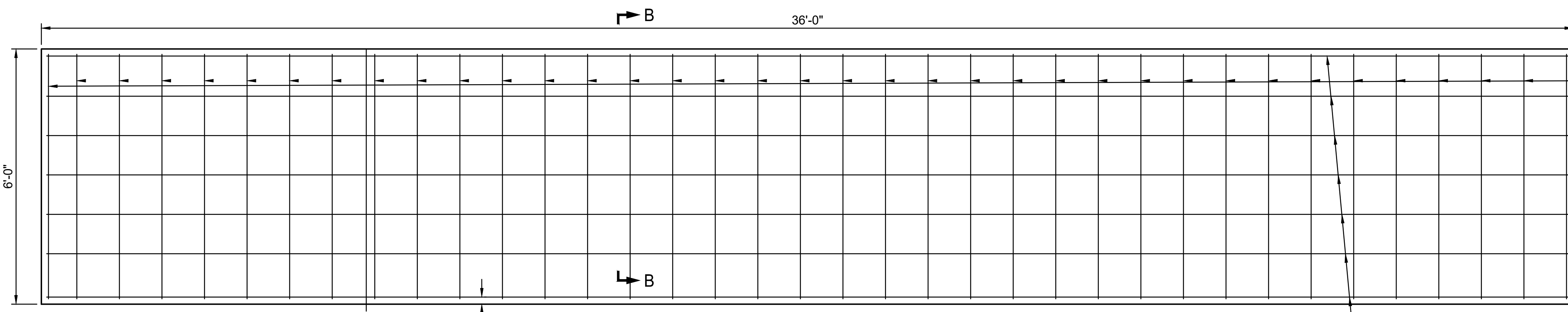
BAR BENDING



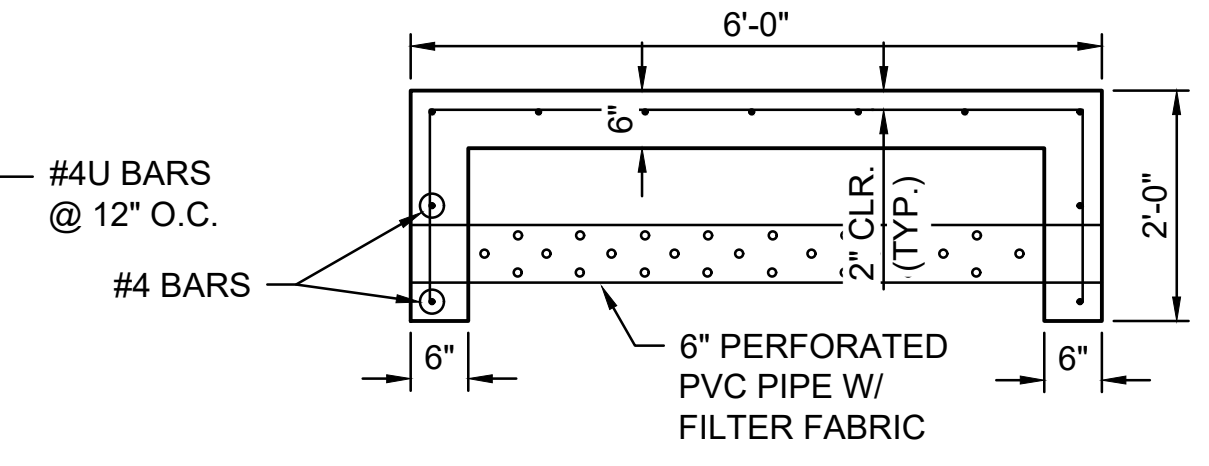
WEIR WALL SECTION A-A



SPECIAL CONCRETE SIDEWALK ELEVATION VIEW



SPECIAL CONCRETE SIDEWALK PLAN VIEW



WALK SECTION B-B

REV.	DATE	DESCRIPTION	BY



CITY OF WICHITA
 WICHITA, KANSAS
 AREA 151
 STORM WATER DRAIN - PHASE 1

UPPER WEIR DETAILS

JOB NO.: 22T41002
 DATE: DEC 2023
 DESIGNED BY: .
 DRAWN BY: .

BAR IS ONE INCH ON ORIGINAL DRAWING
 0 1"
 IF NOT ONE INCH ON THIS SHEET, ADJUST SCALES ACCORDINGLY.

DRAWING NUMBER

SHEET NUMBER **21** OF **93**

File: L:\2022\22T41002 - Area 151 - Additional Drawings\CSD\SW SHEETS\Upper Pond Details.dwg Last Save: 10/24/2023 4:38 PM Last saved by: DRStandrich
 Last plotted by: Standrich, Darryl R. Plot Style: --- Plot Scale: 1:2.5849 Plot Date: 12/1/2023 7:39 AM Plotter Used: None