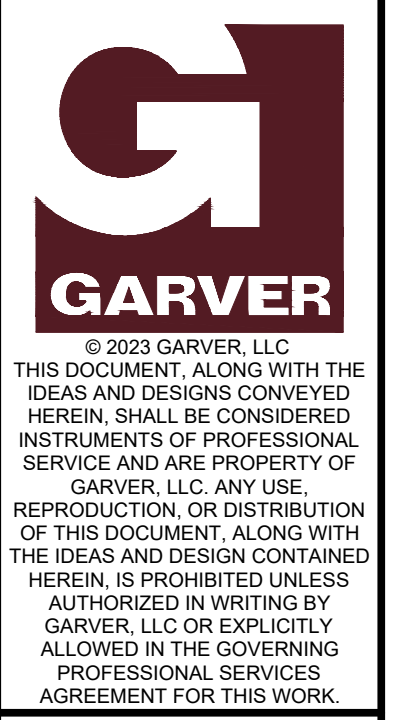
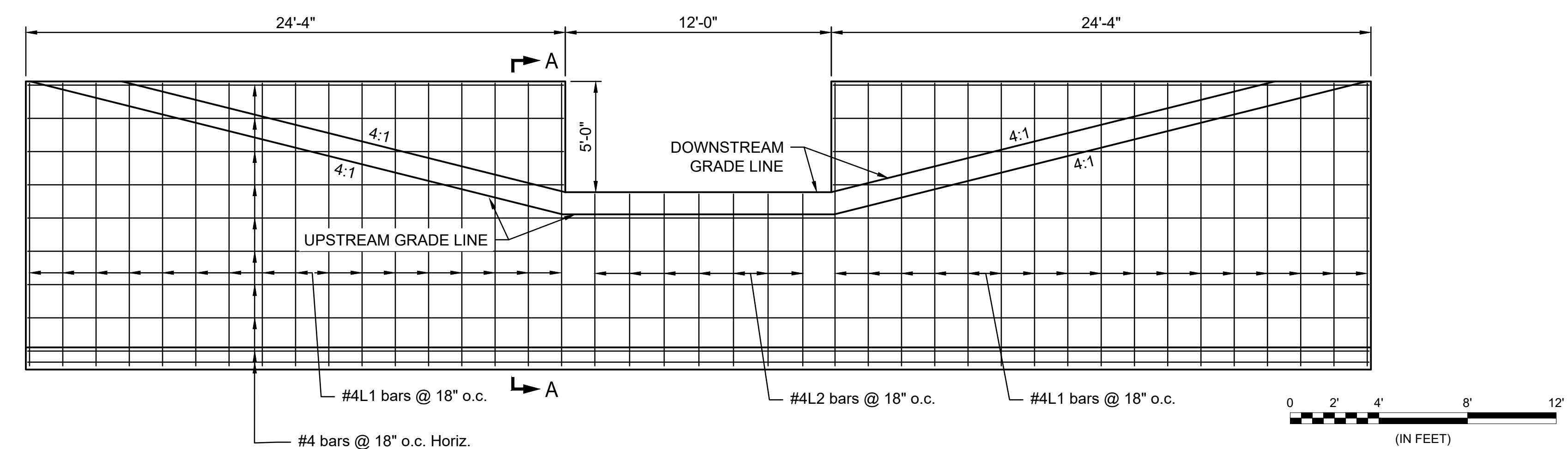


File: L:\2022\22T41002 - Area 151 - Additional Drawings\C3D\SWS SHEETS\Middle Pond Details.dwg, Last Saved: 10/24/2023 6:20 AM, Last saved by: DRSlandrich
 Last plotted by: Standrich, Daryl R., Plot Style: ---, Plot Scale: 1:2.5849, Plot Date: 12/1/2023 7:40 AM, Plotter Used: None

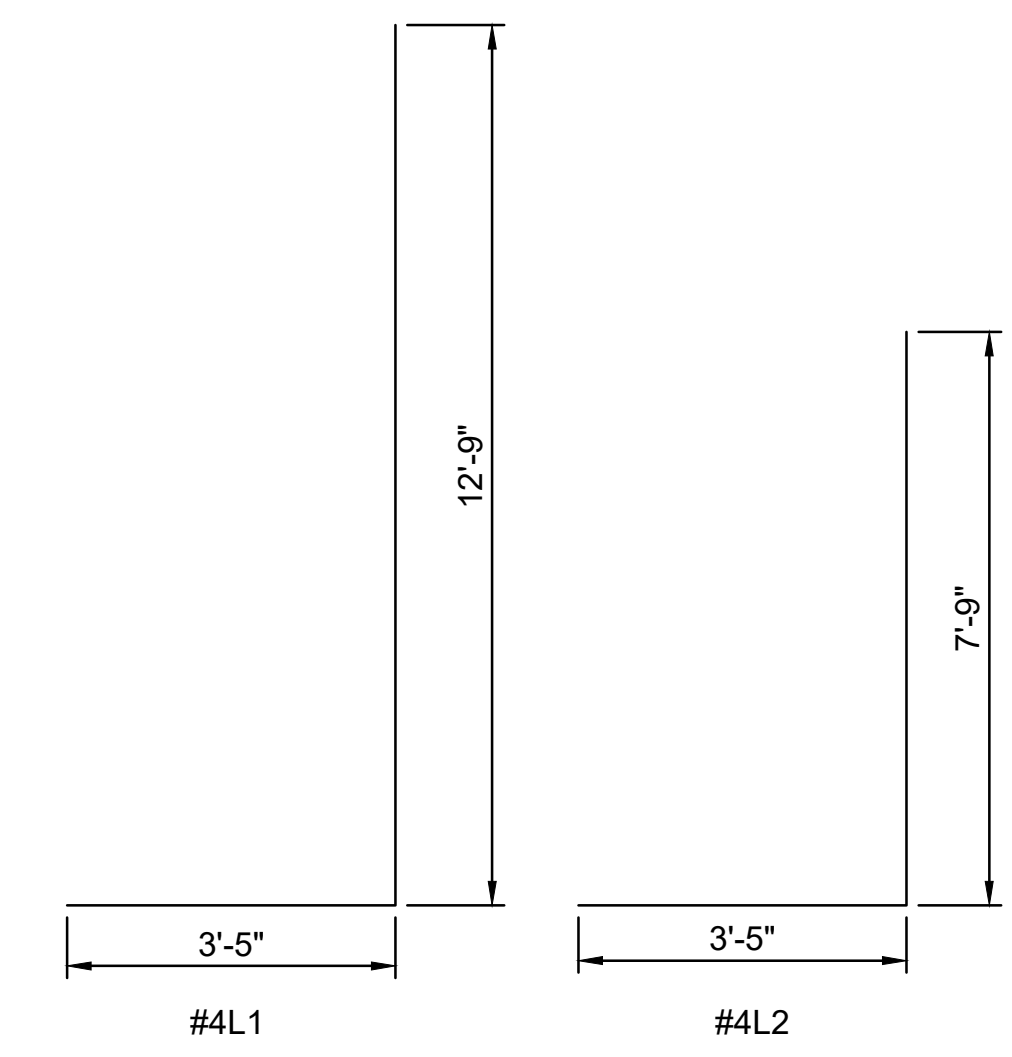


1995 Midfield Road
 Wichita, KS 67209
 (316) 264-8008

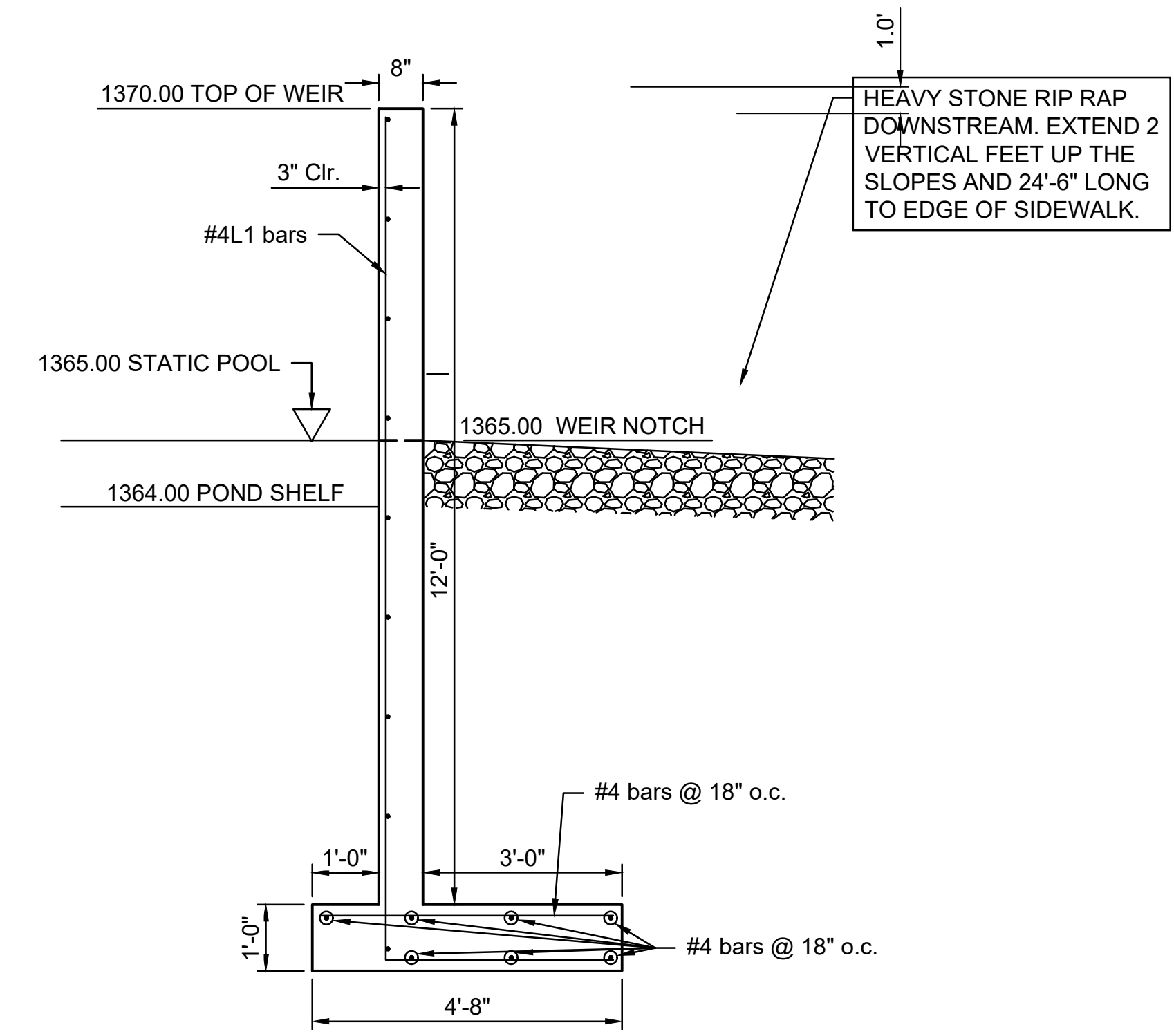


POND WEIR WALL DETAIL

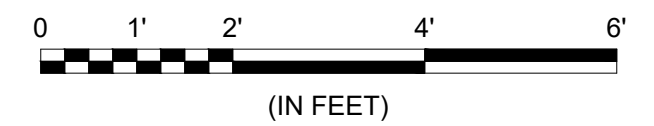
Air Entrained Concrete: $f'_c = 4,000$ psi @ 28 days
 Reinforcing: $F_y = 60,000$ psi
 Cover over Reinforcing is 2" unless otherwise indicated.



BAR BENDING



WEIR WALL SECTION A-A



REV.	DATE	DESCRIPTION	BY

CITY OF WICHITA
 WICHITA, KANSAS

AREA 151
 STORM WATER DRAIN - PHASE 1

MIDDLE WEIR DETAILS

JOB NO.: 22T41002
 DATE: DEC 2023
 DESIGNED BY: .
 DRAWN BY: .

BAR IS ONE INCH ON ORIGINAL DRAWING
 0 1" IF NOT ONE INCH ON THIS SHEET, ADJUST SCALES ACCORDINGLY.

DRAWING NUMBER